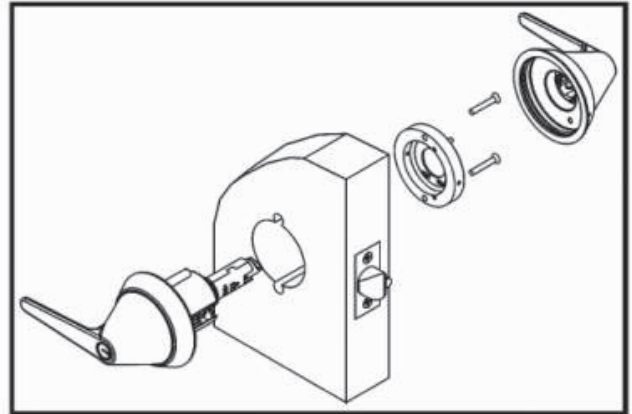
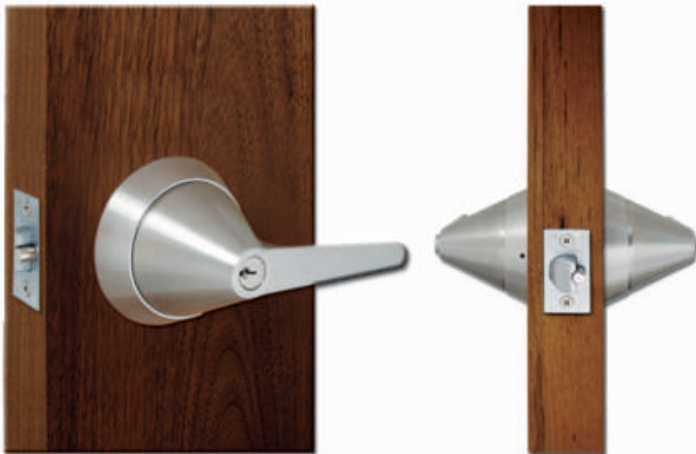


# TRX-L ANSI Grade 1 Cylindrical Lock with Ligature Resistant Trim-Lever



- Design impedes ability to attach laces, cords, and lines to the lever set
- Enhances opportunity to reduce accidents in health care facilities, detention centers and other potential high risk areas
- Designed to be an integral part of your Accident Prevention and Safety Program
- Outside clutching lever to protect lock against abuse and allow free rotation.
- Cylindrical is UL listed for a 3 hour fire door
- ADA compliant
- Meet or exceed ANSI 156.2-4000 Grade 1 Standard
- Tamper resistant mounting screws, standard
- Schlage C keyway, standard
- Small Format 6 or 7 pin Interchangeable Core (SFIC) available
- 32D Finish

## How To Order

Trim	TRX-L Ligature Resistant Lever Grade 1 Cylindrical Lock
Function	Please Refer to Function Sheet
IC	IC

### Example

1. Ligature Resistant Lever Cylindrical
2. Function
3. IC (optional)

**TRX-L-81-IC**

## Important Note:

It is TownSteel's position that if any of our keyed locks are to be used less cylinder, whether I.C. or standard, and another manufacturer's cylinder is to be used in place of the TownSteel original manufacturer's cylinder, that a sample of that product be provided to TownSteel in advance for testing.

