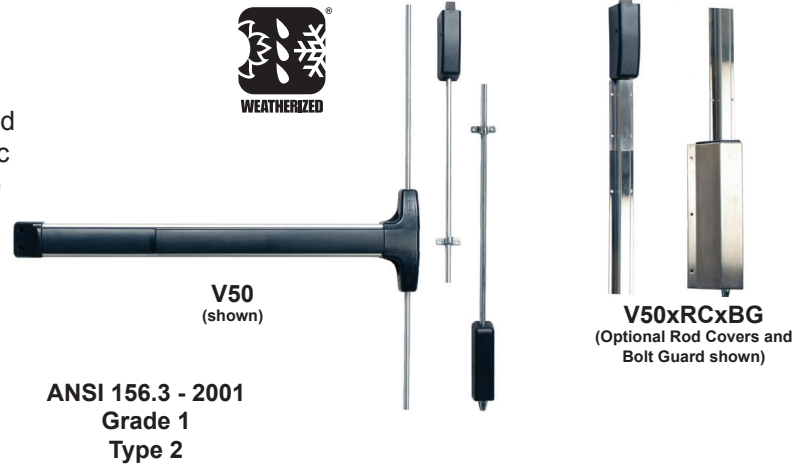


VALUE SERIES®

V50xW/V51xW SERIES

Weatherized Surface Vertical Rod Device

The **Weatherized V50 Series, surface vertical rod exit device** and **V51 Series, top rod exit device** are heavy-duty **panic and fire exit hardware** for use on all types of double doors without a mullion. The patented mounting plate and strike locator system ensures the easiest and most accurate installation in an economical panic device. In addition to listing as UL panic and fire exit hardware device, this device conforms to UL1034-34 Temperature Section 34, UL1034-54 Dust Section 54, MIL-STD 810F, Method 506.4 (driving rain test); MIL-STD 810F, Method 509.4 (salt fog test) and UBC standard 7-2 (positive pressure).



Benefits

- Priced to be the best value for durable, attractive panic hardware
- Fast and accurate installation
- Fits any door in almost any décor
- Minimal door prep saves time and money
- Outside trims are easily changed or rekeyed without removing device from door

Features

- Patented mounting plate and strike locator system replaces paper templates
- Handed, field reversible
- Impact resistant ABS and anodized surfaces
- Stainless steel 3/4" deadlocking, Pullman-type top latch bolt
- Field sizable
- Modular design accepts a variety of outside trims and functions
- Bottom drop bolt, 5/8" dia. x 5-5/8" long secures into strike plate
- 1/8 turn dogging
- Standard and narrow stile pull trims available
- Heavy-duty angled end cap
- Heavy-duty ribbed aluminum rail extrusion

Mechanical Options

- V51 - Top Rod Only
- 84 - Fits 7' Door Height (Std.)
- NS - Fits 2" Narrow stile glass door
- F - 3-Hour Fire Rated
- 96 - Fits 8' Door Height
- 96 Surface top stike top (Std.)
- HD - Hex Dogging (Std.)
- 120 - Fits 10' Door Height
- 96B Bottom dust proof strike
- CD - Cylinder Dogging
- RC - Rod Covers (630 Brushed Stainless)
- Available with 628 aluminum base rail extrusion
- LD - Less Dogging
- BG - Bottom bolt and 12" ADA ramped cover (630 Brushed Stainless)
- Available with 711 black base rail extrusion
- 36 - Fits 36" Door Widths (Std.)
- 48 - Fits 48" Door Widths

Electrical Options

- EBxW - Exit Alarm 9V Battery Weatherized
 - EXVxW - Request to Exit Weatherized High Current/Voltage
 - EXxW - Request to Exit Weatherized
- Refer to Electrified Options section for more information

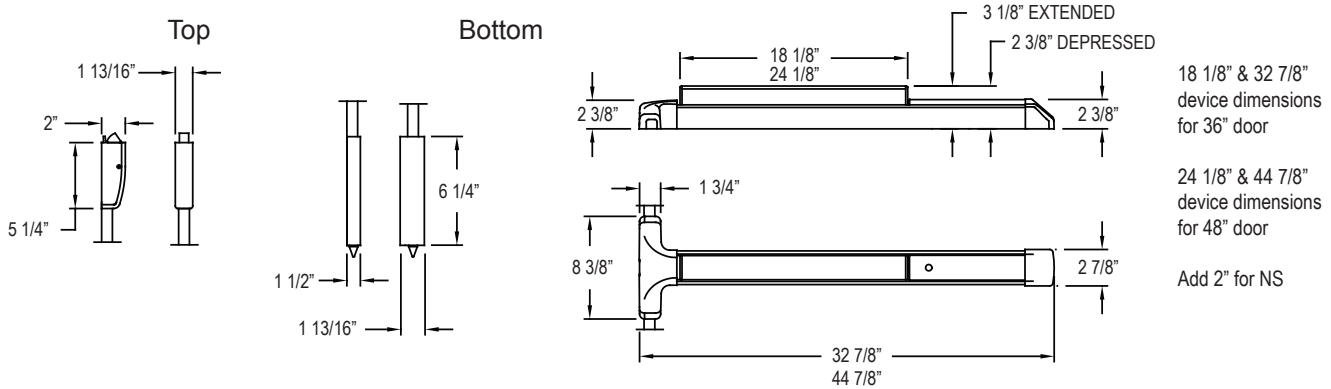
Accessories

- Outside Trim (see Value Series Trim Options)
- SN1 - Sex Nut Kit (2 per package)
- GB# - Glass Bead Kits
- NSK - Narrow Kit for 2" narrow stile glass door applications

Technical Information

- Door Stile - Fits 3-1/2" stile doors (Std.)
- Door Stile - Fits 2" narrow stile doors - specify NS
- Fasteners - Machine and Self-Drilling Screws standard

Dimensions



Listings and Approvals



UL Listed Panic Hardware



UL Listed Fire Exit Hardware for 3 hours, maximum 4'x10' single doors and 8'x10' pairs of doors

UL1034-34 Temperature Section 34 [Temperature Range -31° F (-35° C) to 150° F (+66° C)]

UL1034-54 Dust Section 54



Meets ADA requirements



UBC 97, Standard 7-2 and UL10B/UL10C for positive pressure



California State Fire Marshal
 4140-0127:105 and
 3725-0127:108



ANSI/BHMA certified A156.3



Meets NFPA 80 & 101 for Life Safety

MIL-STD 810F (G), Method 509.4 (Salt Fog Test)

MIL-STD 810F (G), Method 506.4 (Driving Rain), Procedure 1

Detex Limited Warranty

10 Year Mechanical/3 year Electrical Limited Manufacturer's Warranty

Where Trust is Built™

DETEx®

Life Safety and Security Door Hardware

Detex Corporation
 302 Detex Drive
 New Braunfels, Texas 78130-3045 USA
 PH. (830) 629-2900
 (800) 729-3839
 FAX (800) 653-3839
 http://www.detex.com
 USA Sales:
 marketing@detex.com
 International Sales:
 export@detex.com