

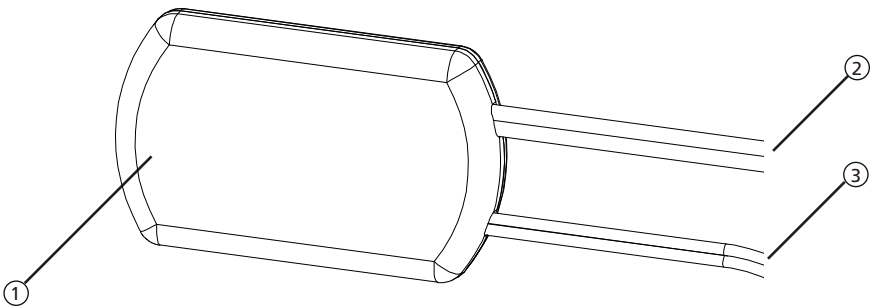
TOUCHLESS RETROFIT TRANSMITTER



900 MHz transmitter for
touch-to-touchless plate retrofit
applications

(US version)

DESCRIPTION



1. 900 MHz Wireless Transmitter
2. White & Green Activation Wires
3. Red & Black Power Wires

INTRODUCTION

For existing hard-wired touch pushplates, most often, only two (2) wires are installed, running within the wall from the pushplate to the door control for activation. The 900 MHz Touchless Retrofit Transmitter allows an existing hard-wired touch pushplate to be retrofitted with a new touchless plate that requires four (4) wires [2 wires for power and 2 wires for activation] without running additional wires. This is achieved by use of a powered wireless transmitter and wireless receiver.

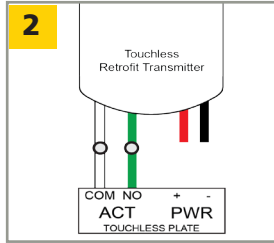


- The device should not be used for purposes other than its intended use. All other uses cannot be guaranteed by the manufacturer of the sensor.
- The installer of the door system is responsible for carrying out a risk assessment and installing the sensor and the door system in compliance with applicable national and international regulations and standards on door safety.
- The manufacturer of the sensor cannot be held responsible for incorrect installations or inappropriate adjustments of the sensor.

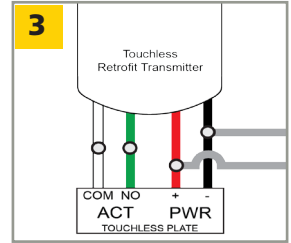
INSTALLATION



1 Remove existing touch pushplate and disconnect two (2) existing in-wall wires from pushplate and door control activation.



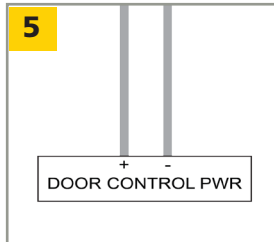
2 Connect green and white wires to new touchless plate activation output.



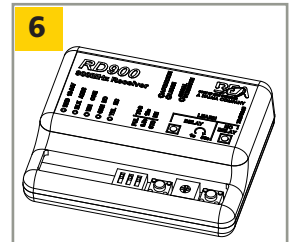
3 Parallel red and black wires with two (2) existing in-wall wires and connect to new touchless plate power input.



4 Mount new touchless plate.

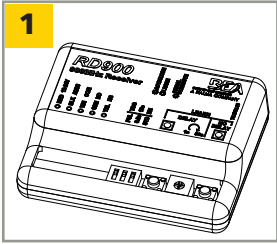


5 Connect two (2) existing in-wall wires to power source in door control header.



6 Install 900 MHz wireless receiver in header (sold separately).

SETUP



NOTES:

1. Refer to 900 MHz wireless receiver User's Guide 75.5786 for full programming instructions.

Learn transmitter and receiver¹.

TROUBLESHOOTING

| | | |
|---------------------|---|---|
| No activation | Power wires not connected | Verify power connection at transmitter, touchless plate, and power source |
| | Activation wires not connected | Verify activation connection at transmitter and door control |
| | Receiver not programmed | Setup transmitter |
| Constant activation | Something is moving in front of touchless plate | Clear area around plate |
| | Activation connected to NC of door control | Connect to NO |
| | Receiver and/or touchless sensor set to Toggle Mode | Set receiver and/or touchless plate to Pulse Mode |

TECHNICAL SPECIFICATIONS

| | |
|------------------------|-------------------------------------|
| Power: | 12-24 V AC/DC +/- 10% |
| Transmitter Frequency: | 908-918 MHz (frequency hopping) |
| Emitted radio power: | -25 dBm |
| Power consumption: | 22 mA |
| Temperature range: | 14° F to +131° F (-10° C to +55° C) |
| LEDs: | Red (activation) |
| Dimensions: | 1.72" (L) x 1.06" (W) x 0.32" (T) |
| Material: | ABS Plastic |
| Certification: | FCC, IC |

Specifications are subject to change without prior notice.
All values measured in specific conditions.

FCC / IC

"This device complies with Part 15 of the FCC Rules. Operation is subject to the following two conditions: (1) this device may not cause harmful interference, and (2) this device must accept any interference received, including interference that may cause undesired operation."

Changes or modifications not expressly approved by BEA Incorporated could void the user's authority to operate the equipment.

Note: This equipment has been tested and found to comply with the limits for a Class A digital device, pursuant to part 15 of the FCC Rules. These limits are designed to provide reasonable protection against harmful interference when the equipment is operated in a commercial environment. This equipment generates, uses, and can radiate radio frequency energy and, if not installed and used in accordance with the instruction manual, may cause harmful interference to radio communications. Operation of this equipment in a residential area is likely to cause harmful interference in which case the user will be required to correct the interference at his own expense.

This device complies with Industry Canada licence-exempt RSS standard(s). Operation is subject to the following two conditions: (1) this device may not cause interference, and (2) this device must accept any interference, including interference that may cause undesired operation of the device.

Le présent appareil est conforme aux CNR d'Industrie Canada applicables aux appareils radio exempts de licence. L'exploitation est autorisée aux deux conditions suivantes : (1) l'appareil ne doit pas produire de brouillage, et (2) l'utilisateur de l'appareil doit accepter tout brouillage radioélectrique subi, même si le brouillage est susceptible d'en compromettre le fonctionnement.

| | | |
|-------------------------|---------------------|------------------|
| FCC ID: 2ABWS-10TD900TR | IC: 4680A-10TD900TR | MODEL: 10TD900TR |
|-------------------------|---------------------|------------------|

ANSI / AAADM Compliance



Upon completion of the installation or service work, at a minimum, perform a daily safety check in accordance with the minimum inspection guidelines provided by AAADM. Provide each equipment owner with an owner's manual that includes a daily safety checklist and contains, at a minimum, the information recommended by AAADM. Offer an information session with the equipment owner explaining how to perform daily inspections and point out the location of power/operation switches to disable the equipment if a compliance issue is noted. The equipment should be inspected annually in accordance with the minimum inspection guidelines. A safety check that includes, at a minimum, the items listed on the safety information label must be performed during each service call. If you are not an AAADM certified inspector, BEA strongly recommends you have an AAADM certified inspector perform an AAADM inspection and place a valid inspection sticker below the safety information label prior to putting the equipment into operation.

