



# Integrated security solution

with AD-300/301 hardwired, AD-400/401 wireless devices and with Quintron's IT centric Security Solutions



## Overview

Schlage AD Series locks seamlessly integrate with AccessNsite to provide a cost effective and scalable access control solution to meet your security needs.

Quintron's AccessNsite integrates access control, intrusion detection, video surveillance, and first responder communications. AccessNsite's flexibility allows it to work with multiple operating systems and support multiple databases on the application server or separate server.

Schlage AD Series locks combine the components typically found around the door, such as the door position switch and the request to exit switch, into one unit which simplifies installation and saves money. And since they are designed to be modular, Schlage AD Series locks can easily be upgraded in the future to meet your changing security and technology requirements.

The AD Series is available in both hardwired and wireless configurations to suit the requirements of the facility. AD Series wireless locks provide many of the key benefits of a hardwired system including real-time monitoring, audit trails, centralized lockdown and instant access control management. In retrofit applications Schlage AD Series wireless locks and devices, which eliminate the need to run wires direct to each opening, can help you extend the reach of your access control system.

AD-301 and AD-401 FIPS 201-1 compliant solutions are available using the FMK readers. Existing AD-300 and AD-400 locks can be upgraded to FIPS compliant solutions by replacing existing reader with new FMK reader. Please contact Quintron to confirm they will be able to support your FIPS 201 credential format.

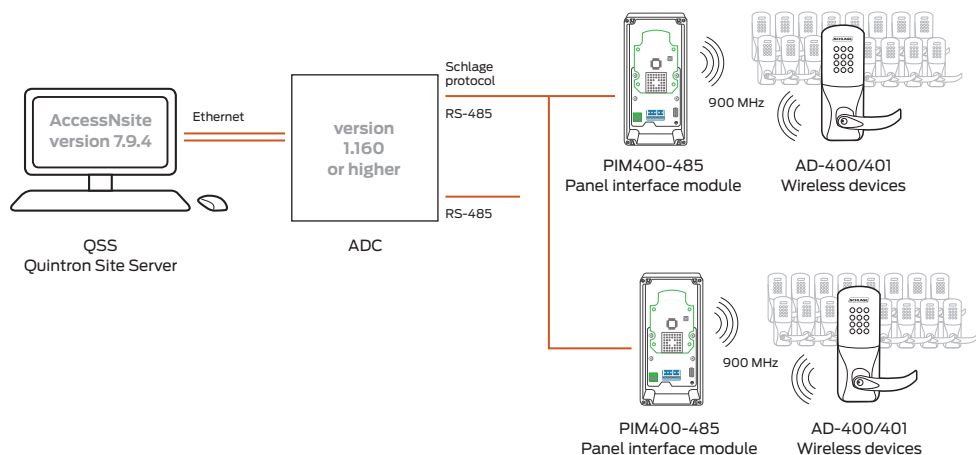
## System Capabilities Summary

- AccessNsite system capabilities:
  - Open platform access control system
  - Non-proprietary Mercury Security panels
  - Scalable to virtually unlimited controllers, doors and clients
  - Integrates with other systems through our Web-Services API
  - Video, Graphic Maps, Credential and Personnel Management
- AD-300 hardwired:
  - Field configurable fail safe/fail secure
- AD-400 wireless:
  - Secure 900 MHz wireless communication, AES-128 bit encrypted
  - Real-time access control and monitoring
  - Powered by four (4) standard off-the-shelf AA batteries
  - Patent pending wireless lockdown /unlock feature via PIM400-485/PIM400-1501 (10 seconds or less) preserves up to 2 year battery life
- Additional details on readers supported and chassis types available on page 3 and 4
- Weather resistant, exterior operating temperature: -31° to 151°F (-35° to 66°C)
- WPR400, Wireless Portable Reader and WRI400, Wireless Reader Interface also available.
- ANSI/BHMA A156.25, ANSI/BHMA Grade 1, UL 294, UL 10C

## AD-400/401 via RS-485 with AccessNsite and ADC

- ADC supports up to 64 total locks
- ADC supports a maximum of 16 PIM400-485s (8 per port)
- Wireless range up to 200' in typical building construction, 1000' clear line of sight.

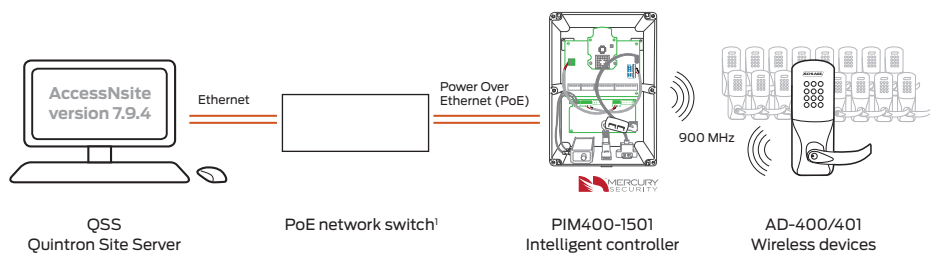
Note: While not specifically shown the ADC can support both AD-300/301s and AD-400/401s in the same system and on a common port.



## AD-400/401 via PIM400-1501 with AccessNsite

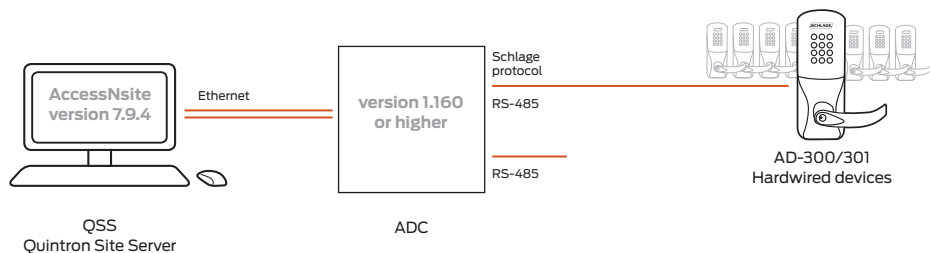
- PIM400-1501 supports up to 16 AD-400/401 wireless locks
- Wireless range up to 200' in typical building construction, 1000' clear line of sight.

1 In order to have a UL Listed configuration a UL294 12VDC power supply must be used instead of PoE



## AD-300/301 via RS-485 with AccessNsite and ADC

- Supports a maximum of 16 AD-300/301 hardwired locks (8 per port)



Note:

Please refer to AD-400, AD-401, PIM400-485, PIM400-TD2, PIM400-1501, AD-300, AD-301 and PIB300-2D data sheets for complete AD-Series specifications. Please consult Quintron for Wiegand solutions.

## System capabilities:

	AD-400/401 PIM400-485	AD-400/401 PIM400-1501	AD-300/301 Direct RS-485
<b>Features</b>			
Maximum number of readers supported by controller/PIM	64	16	16
Maximum number of readers per PIM400	up to 16	Up to 16	N/A
Maximum number of PIM400s and/or AD-300s per RS-485 Port	Up to 8	N/A	Up to 8
Access control decision made by host or by lock database	Host	Host	Host
Remote linking via Host	Yes	Yes	N/A
<b>Readers - see supported card formats below</b>			
Keypad only	Yes	Yes	Yes
Magnetic stripe card	Yes	Yes	Yes
Multi-technology - 125 kHz proximity and 13.56 MHz smart card	Yes	Yes	Yes
PIV & PIV-I card compatible <sup>1</sup>	Yes	Yes	Yes
Card + PIN	Yes	Yes	Yes
<b>Status monitors</b>			
Request to exit	Yes	Yes	Yes
Door position	Yes	Yes	Yes
Mechanical key override	Yes	Yes	Yes
Request to enter	No	No	No
Low battery status	Yes	Yes	N/A
Communication status: RF/RS-485	Yes/Yes	Yes/Yes	Yes
Remote lockdown/unlock <sup>2</sup>	Yes (<10 sec) <sup>2</sup>	Yes (<10 sec) <sup>2</sup>	Yes
Deadbolt position	No	No	No
Interior push button	No	No	No
<b>Lock functions</b>			
Classroom/storeroom	Yes	Yes	Yes

Please contact Quintron for additional details on integrated features and credentials supported.

### Supported card formats

#### Proximity cards (125 kHz):

- AWID®
- GE/CASI®
- HID®
- Schlage®
- XceedID®

#### Smart cards (13.56 MHz):

- aptiQ™ MIFARE Classic
- aptiQ™ MIFARE DESFire™ EV1
- PIV and PIV-I compatible<sup>1</sup>

#### Smart cards (13.56 MHz) - reads card serial number only:

- HID iCLASS®
- DESFire®
- MIFARE®
- MIFARE DESFire™ EV1

<sup>1</sup> FIPS 201 Compliant Option: The AD-Series can be used in applications which require approval by the US Federal Government under HSPD-12 for FIPS 201 compliance. Specific components are required, please see the AD-301 and AD-401 data sheets for complete details. Contact Quintron to confirm they are able to support your FIPS 201-1 credential format.

<sup>2</sup> For greater than 1 device will be <20 sec.

## Available AD Series reader modules



### Multi-technology

- Proximity
- Smart card

### KEYPAD

FIPS 201-1 compliant option available (FMK)



### Multi-technology

- Proximity
- Smart card



### Magnetic stripe (insertion)

- KEYPAD



### Magnetic stripe (insertion)



### Magnetic stripe (swipe)

- KEYPAD



### Magnetic stripe (swipe)



### Keypad



### Handheld device (HHD)

Used to initialize, configure, and test AD Series Devices

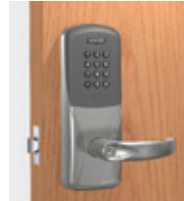
## Compatibility

AD Series electronic locks from Schlage are built from the ground up to provide more options, more functionality and more compatibility than any other solution on the market today. Designed to suite with the most popular lever styles and finishes, Schlage AD Series locks can be configured to accept most major key systems. See lever and cylinder compatibility data sheet (010432).

Mortise Lock (AD-300/400-MS)



Cylindrical Lock (AD-300/400-CY)



Exit Device Trim (AD-300/400-993)



The AD Series exit trims are exclusively compatible with exit devices made by Allegion when using the low current request to exit switch (RX-LC part # 050281 for Von Duprin 98/99 & Von Duprin 22/22F Rim/SVR devices and part number 650359 for Falcon 25 Rim devices).

## Lever styles

Standard cylinders shown, SFIC and FSIC also available.



Sparta



Rhodes



Athens



Tubular

## Finishes

Warm tone finishes



605 Bright brass



606 Satin brass



612 Satin bronze



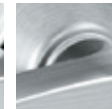
643e Aged bronze



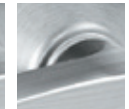
619 Satin nickel



625 Bright chrome



626 Satin chrome



626AM Satin chrome with antimicrobial

Allegion, the Allegion logo, Schlage, the Schlage logo, Von Duprin, Falcon, and aptiQ are trademarks of Allegion plc, its subsidiaries and/or affiliates in the United States and other countries. All other trademarks are the property of their respective owners.

## About Allegion

Allegion (NYSE: ALLE) is a global pioneer in safety and security, with leading brands like CISA®, Interflex®, LCN®, Schlage® and Von Duprin®. Focusing on security around the door and adjacent areas, Allegion produces a range of solutions for homes, businesses, schools and other institutions. Allegion is a \$2 billion company, with products sold in almost 130 countries. For more, visit [www.allegion.com](http://www.allegion.com).

aptiQ ■ LCN ■ SCHLAGE ■ STEELCRAFT ■ VON DUPRIN



© 2015 Allegion  
005633, Rev. 08/15  
[www.allegion.com/us](http://www.allegion.com/us)