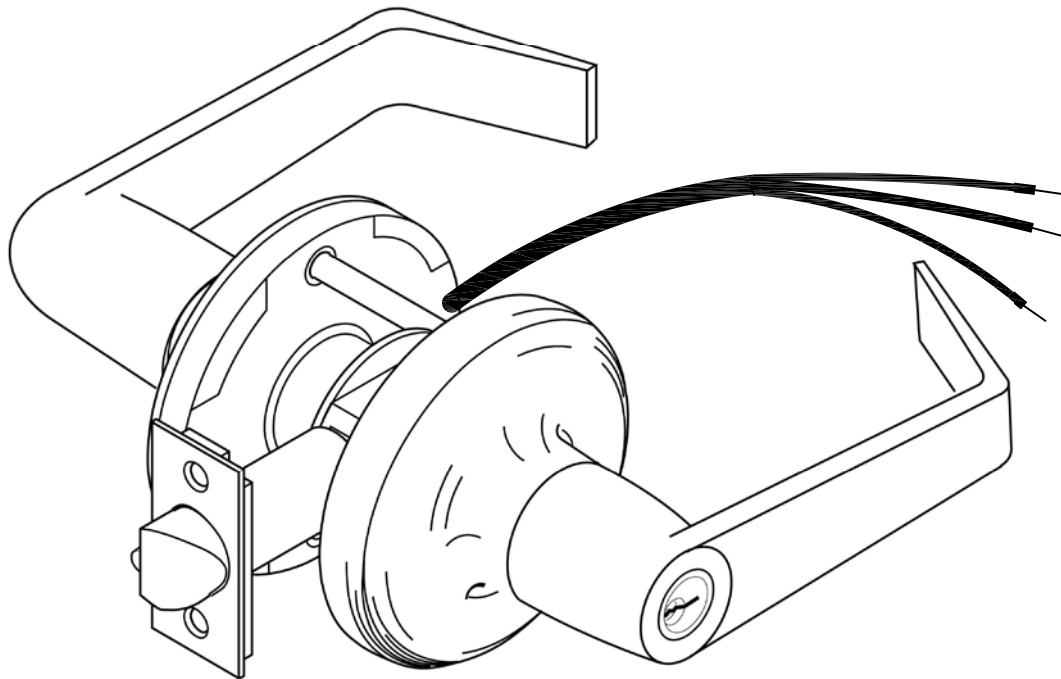


II-C1500-3

INSTALLATION INSTRUCTIONS

**SCHLAGE ND SERIES CYLINDRICAL AE
(AUTHORIZED EGRESS) MONITORING.**



**TERMINATE THE WIRES FROM LOCK TO THE ELECTRIC
POWER TRANSFER DEVICE USING 22 AWG WIRE. USE PROPER CRIMP
SPLICES OR WIRE NUTS FOR TERMINATING CONNECTIONS.**

**THE SCHLAGE 3 - WIRE AE MODIFICATION UTILIZES A UL RECOGNIZED
SPDT SWITCH PROVIDING A CHOICE OF:**

- NORMALLY CLOSED OPERATION USE THE YELLOW (COM.) & GRAY WIRES**
- NORMALLY OPEN OPERATION USE THE YELLOW (COM.) & RED WIRES**

ELECTRICAL SPECIFICATIONS

- VOLTAGE 250 VAC**
- CURRENT RATING: 1 AMP**
- WIRE LEADS: 22 AWG**

