

# SECURITRON SYSTEM # 24

## Application

Single door restroom using UNL-24

## Operation

Outside Operation: Pushing the PB3EN unlocks the door.

Inside Operation: once inside pressing the PB4 will lock the door and put the ZLP in the occupied state. when door is opened the ZLP will change states putting it the available state. The key switch will override and unlock the door in case of emergency.

## Securiton System Components

1 each	Electric Strike UNL-24
1 each	Relay RLP-24
1 each	Push Button PB3EN
1 each	Power Supply BPS-24-2
1 each	Battery B-24-5
1 each	Key Switch MK
1 each	Push Button PB4
1 each	Zone Light Plate ZLP-1

## Additional Components Required

TBA	Hinges
2 each	Closer
2 each	Kickplate
2 each	Stop
TBA	Gasketing (as required)

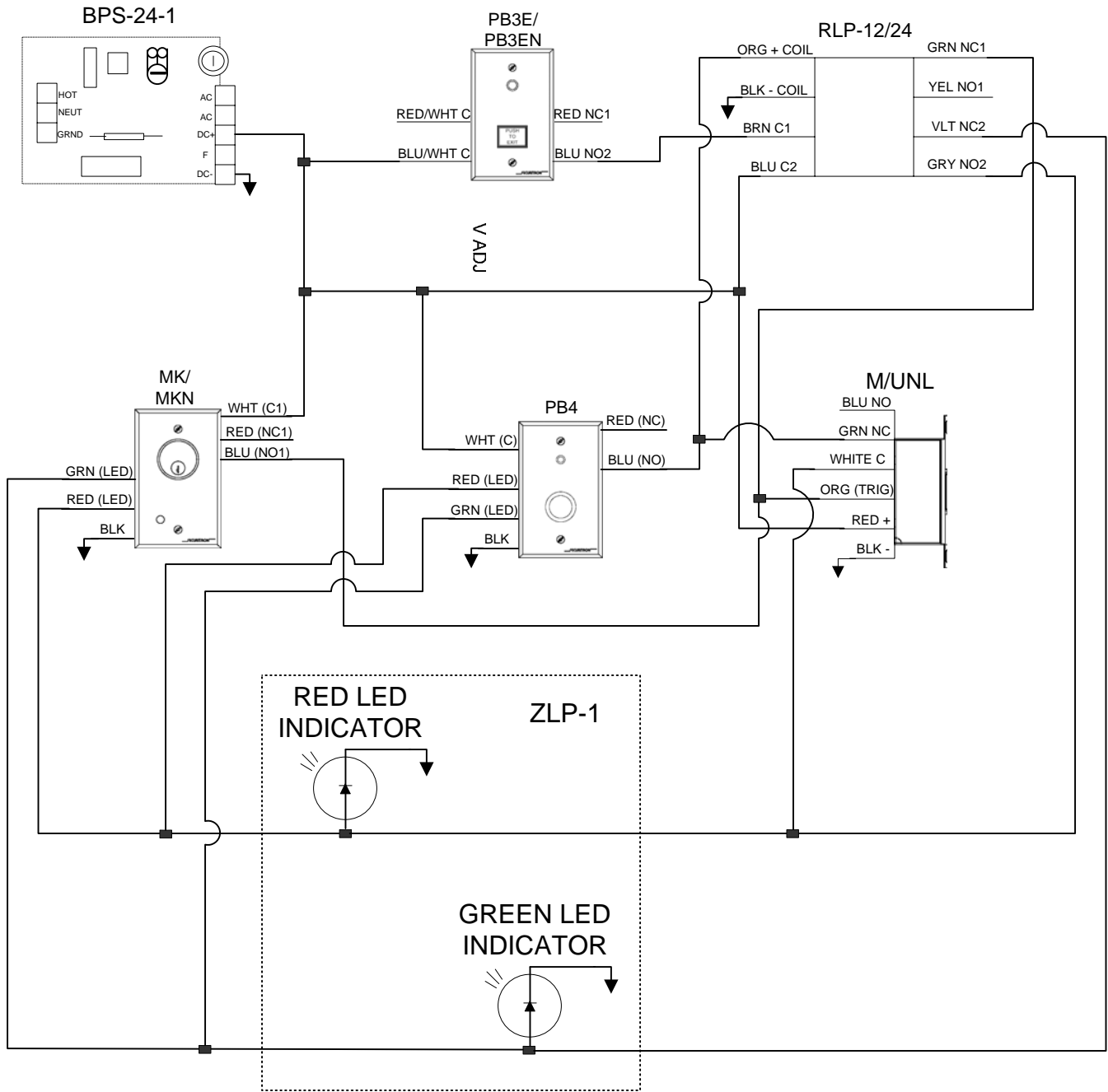
## Options

COMMENTS: MOST DEVICES COME WITH WIRE LEADS IN DIFFERENT LENGTHS DEPENDING ON WHAT MODEL IT IS. IF LONGER WIRE RUNS ARE REQUIRED 18G STRANDED WIRE IS FINE FOR SHORTER WIRE RUNS ON A 12 V SYSTEM. 22G WIRE IS ACCEPTABLE FOR SHORTER WIRE RUNS ON A 24 V SYSTEM. FOR SPECIFIC WIRE GAUGE QUESTIONS ON LONGER RUNS OR SYSTEMS PLEASE CALL OUR TECH SUPPORT LINE AT 1-800-MAGLOCK OR 1-800-624-5625.

SINGLE DOOR BATHROOM WITH UNL-24	Revision: 1	Number of Pages: 3	DRAWING # SEC-24	Drawn By: EBERGERET
	Date: 4-23-04	Page Number: 1		Approved By: RSALAZAR

SECURITRON MAGNALOCK CORP., 550 Vista Blvd., Sparks NV 89434 USA  
Tel: (775) 355-5625 (800) MAGLOCK Fax: Mkt. (775) 355-5636, Fax: Admin. (775) 355-5633  
Website: www.securitron.com E-mail: info@securitron.com

## Point to Point Wiring Diagram

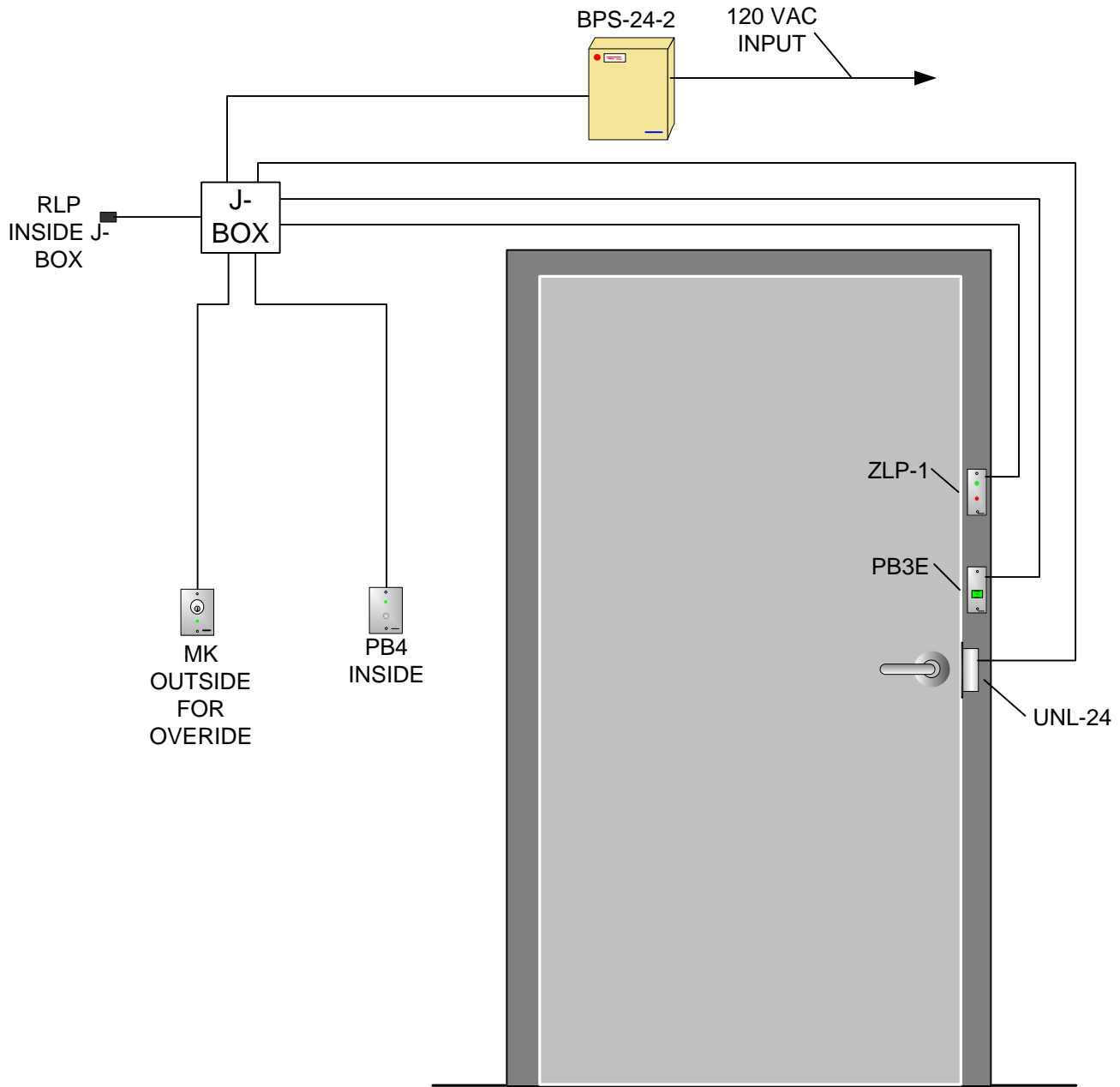


**ADDITIONAL COMMENTS:** Pushing the PB3ER unlocks UNL-24 on Restroom Door. Once inside the occupant pushes the PB4 to lock out the trigger to the UNL-24 by latching the RLP-24. When the door is opened by the occupant the lock status changes state and resets the RLP-24. The Mortise Key switch, MK, is available to override the lock (should someone pass out, etc. in the Restroom). Red LED indicates Restroom is Occupied and Green LED indicates that the Restroom is available.

COMMENTS: MOST DEVICES COME WITH WIRE LEADS IN DIFFERENT LENGTHS DEPENDING ON WHAT MODEL IT IS. IF LONGER WIRE RUNS ARE REQUIRED 18G STRANDED WIRE IS FINE FOR SHORTER WIRE RUNS ON A 12 V SYSTEM. 22G WIRE IS ACCEPTABLE FOR SHORTER WIRE RUNS ON A 24 V SYSTEM. FOR SPECIFIC WIRE GAUGE QUESTIONS ON LONGER RUNS OR SYSTEMS PLEASE CALL OUR TECH SUPPORT LINE AT 1-800-MAGLOCK OR 1-800-624-5625.

SINGLE DOOR BATHROOM WITH UNL-24	Revision: 1	Number of Pages: 3	DRAWING # <b>SEC-24</b>	Drawn By: EBERGERET
	Date: 4-23-04	Page Number: 2		Approved By: RSALAZAR

SECURITRON MAGNALOCK CORP., 550 Vista Blvd., Sparks NV 89434 USA  
 Tel: (775) 355-5625 (800) MAGLOCK Fax: Mkt. (775) 355-5636, Fax: Admin. (775) 355-5633  
 Website: www.securitron.com E-mail: info@securitron.com



COMMENTS: MOST DEVICES COME WITH WIRE LEADS IN DIFFERENT LENGTHS DEPENDING ON WHAT MODEL IT IS. IF LONGER WIRE RUNS ARE REQUIRED 18G STRANDED WIRE IS FINE FOR SHORTER WIRE RUNS ON A 12 V SYSTEM. 22G WIRE IS ACCEPTABLE FOR SHORTER WIRE RUNS ON A 24 V SYSTEM. FOR SPECIFIC WIRE GAUGE QUESTIONS ON LONGER RUNS OR SYSTEMS PLEASE CALL OUR TECH SUPPORT LINE AT 1-800-MAGLOCK OR 1-800-624-5625.

SINGLE DOOR BATHROOM WITH UNL-24	Revision: 1	Number of Pages: 3	DRAWING # SEC-24	Drawn By: EBERGERET
	Date: 4-23-04	Page Number: 3		Approved By: RSALAZAR

SECURITRON MAGNALOCK CORP., 550 Vista Blvd., Sparks NV 89434 USA  
 Tel: (775) 355-5625 (800) MAGLOCK Fax: Mkt. (775) 355-5636, Fax: Admin. (775) 355-5633  
 Website: www.securitron.com E-mail: info@securitron.com