

SECURITRON SYSTEM # 10

Application

Any utility or supply closet.

Operation

Outside Operation: The door is closed and locked by the M62 Magnalock. Entering an authorized user code on the keypad will de-energize the lock and allow access.

Inside Operation: The door is closed and locked by the M62 Magnalock, Depressing the PB2E push button will de-energize the lock directly and trigger the (REX) Request to Exit on the DK-11 Keypad for a pre-programmed release period of (1-60 seconds) and allow egress.

Securitron System Components

1 each Magnalock M62
1 each Digital Keypad DK-11
1 each Push Button PB2E
1 each Plug In Power Supply PSP-24

Additional Components Required

Hinges
1 each Closer
1 each Kickplate
1 each Stop
Gasketing (as required)

Options

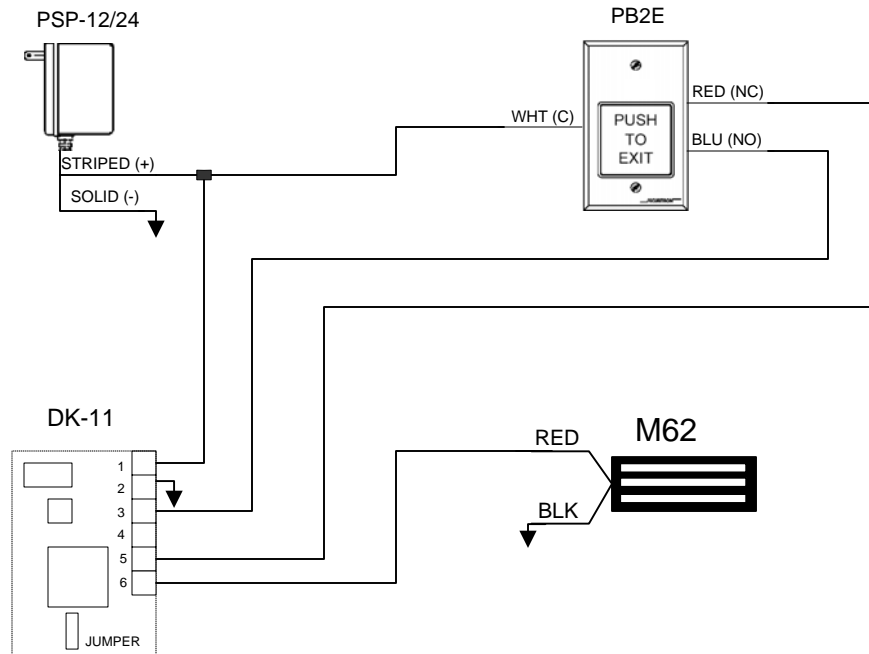
- 1) For doors requiring card access or key access, replace the keypad with the card readers or key switches of your choice.

COMMENTS: MOST DEVICES COME WITH WIRE LEADS IN DIFFERENT LENGTHS DEPENDING ON WHAT MODEL IT IS. IF LONGER WIRE RUNS ARE REQUIRED 18G STRANDED WIRE IS FINE FOR SHORTER WIRE RUNS ON A 12 V SYSTEM. 22G WIRE IS ACCEPTABLE FOR SHORTER WIRE RUNS ON A 24 V SYSTEM. FOR SPECIFIC WIRE GAUGE QUESTIONS ON LONGER RUNS OR SYSTEMS PLEASE CALL OUR TECH SUPPORT LINE AT 1-800-MAGLOCK OR 1-800-624-5625.

SINGLE DOOR ACCESS / EGRESS	Revision: 1	Number of Pages: 3	DRAWING # SEC-10	Drawn By: EBERGERET
	Date: 4-23-04	Page Number: 1		Approved By: RSALAZAR

SECURITRON MAGNALOCK CORP., 550 Vista Blvd., Sparks NV 89434 USA
Tel: (775) 355-5625 (800) MAGLOCK Fax: Mkt. (775) 355-5636, Fax: Admin. (775) 355-5633
Website: www.securitron.com E-mail: info@securitron.com

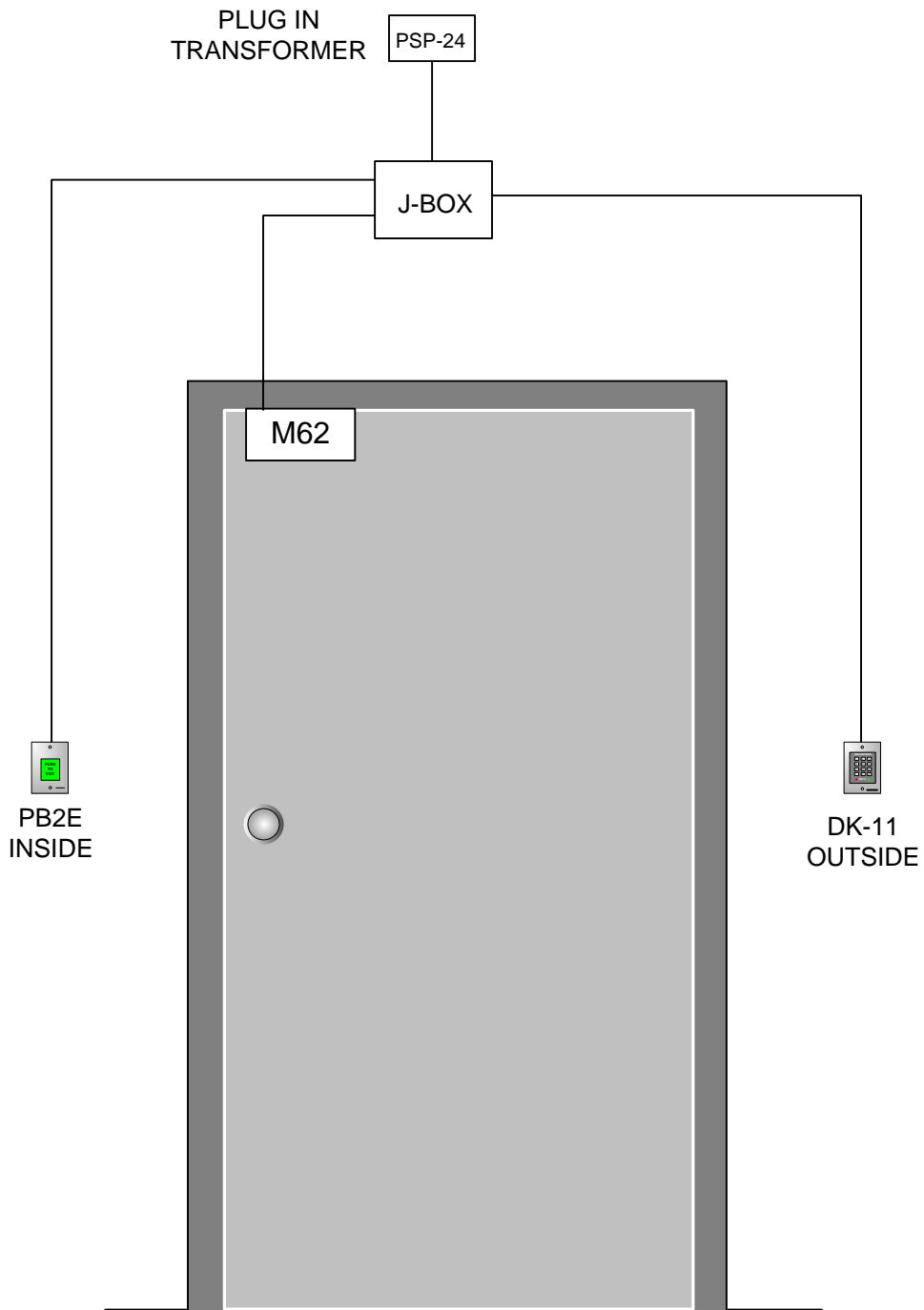
POINT TO POINT WIRING DIAGRAM



COMMENTS: MOST DEVICES COME WITH WIRE LEADS IN DIFFERENT LENGTHS DEPENDING ON WHAT MODEL IT IS. IF LONGER WIRE RUNS ARE REQUIRED 18G STRANDED WIRE IS FINE FOR SHORTER WIRE RUNS ON A 12 V SYSTEM. 22G WIRE IS ACCEPTABLE FOR SHORTER WIRE RUNS ON A 24 V SYSTEM. FOR SPECIFIC WIRE GAUGE QUESTIONS ON LONGER RUNS OR SYSTEMS PLEASE CALL OUR TECH SUPPORT LINE AT 1-800-MAGLOCK OR 1-800-624-5625.

SINGLE DOOR ACCESS / EGRESS POINT TO POINT	Revision: 1	Number of Pages: 3	DRAWING # SEC-10	Drawn By: EBERGERET
	Date: 4-23-04	Page Number: 2		Approved By: RSALAZAR

SECURITRON MAGNALOCK CORP., 550 Vista Blvd., Sparks NV 89434 USA
 Tel: (775) 355-5625 (800) MAGLOCK Fax: Mkt. (775) 355-5636, Fax: Admin. (775) 355-5633
 Website: www.securitron.com E-mail: info@securitron.com



COMMENTS: MOST DEVICES COME WITH WIRE LEADS IN DIFFERENT LENGTHS DEPENDING ON WHAT MODEL IT IS. IF LONGER WIRE RUNS ARE REQUIRED 18G STRANDED WIRE IS FINE FOR SHORTER WIRE RUNS ON A 12 V SYSTEM. 22G WIRE IS ACCEPTABLE FOR SHORTER WIRE RUNS ON A 24 V SYSTEM. FOR SPECIFIC WIRE GAUGE QUESTIONS ON LONGER RUNS OR SYSTEMS PLEASE CALL OUR TECH SUPPORT LINE AT 1-800-MAGLOCK OR 1-800-624-5625.

SINGLE DOOR ACCESS / EGRESS RISER	Revision: 1	Number of Pages: 3	DRAWING # SEC-10	Drawn By: EBERGERET
	Date: 4-23-04	Page Number: 3		Approved By: RSALAZAR

SECURITRON MAGNALOCK CORP., 550 Vista Blvd., Sparks NV 89434 USA
 Tel: (775) 355-5625 (800) MAGLOCK Fax: Mkt. (775) 355-5636, Fax: Admin. (775) 355-5633
 Website: www.securitron.com E-mail: info@securitron.com