

SECURITRON MODELS EASB-32 ~ EASB-62 ~ EASB-82 ENERGY ABSORBING SEX BOLT INSTALLATION INSTRUCTIONS

1. INTRODUCTION

The EASB - Energy Absorbing Sex Bolt is an accessory designed to increase the impact resistance of sudden attacks to doors that are secured by Magnalocks. The structure of the door influences the impact resistance. If a door is flexible most of the impact force is absorbed by the door. If the door is rigid the impact force is not absorbed by the door and the apparent holding force of the Magnalock may be reduced. The EASB is designed to disrupt sudden impact energy to the door and support the certified holding force of the Magnalock.

2. SPECIFICATIONS

Model: EASB-32 ~ 600 lbs. (272 kg) Impact Resistance
1-1/4" [31.8mm] Diameter for Doors 1-3/4" [44.5mm] to 2-1/4" [57.2mm] thick
(For Use with Magnalock Series Models M32 and M38)

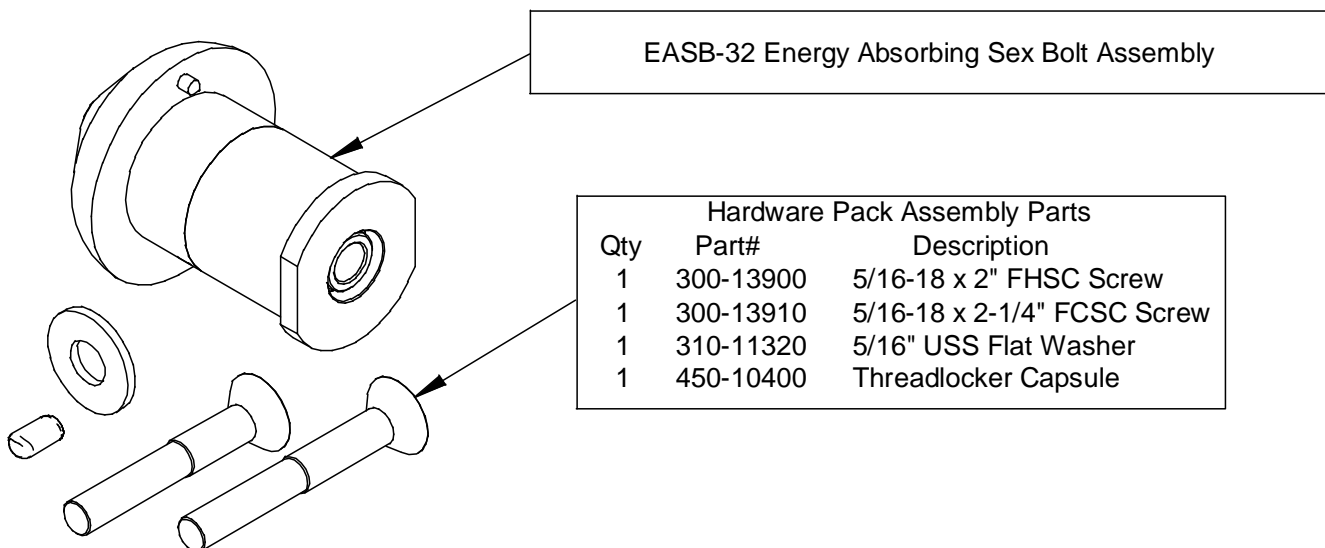
Model: EASB 62 ~ 1200 lbs. (544 kg) Impact Resistance
2" [50.8mm] Diameter for Doors 1-3/4" [44.5mm] to 2" [50.8mm] thick
(For Use with Magnalock Series Models M62 and M68)

Model: EASB-82 ~ 1800 lbs. (816 kg) Impact Resistance
2" [50.8mm] Diameter for doors 1-3/4" [44.5mm] to 2" [50.8mm] thick
(For Use with Magnalock Series Models M82)

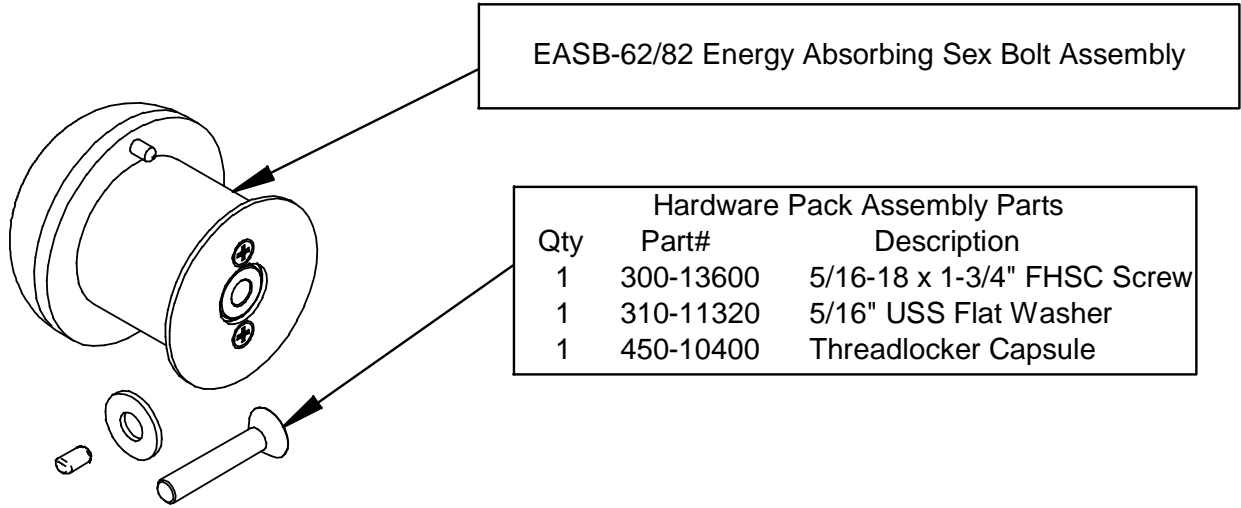
3. PRODUCT OVERVIEW

Upon unpacking this product an inventory should be made to ensure that all the required components and hardware have been included. Along with these Instructions this product should include the following items:

3.1 EASB-32 Product Assembly



3.2 EASB-62/82 Product Assembly



4. RECOMMENDED TOOLS:

Suggested Tool List	EASB-32	EASB-62/82
#2 Phillips Screwdriver		•
Ball Pein Hammer	•	•
12" [300mm] Adjustable Wrench	•	
1-9/32" [33mm] Combination Wrench (optional)	•	
Drill bit: - 1/8" [3.2mm] Diameter	•	•
Drill or Hole Saw - 1-1/4" [32mm] Diameter	•	
Drill or Hole Saw - 2" [50.8mm]		•

5. INSTALLATION INSTRUCTIONS

5.1 Door Preparation and Strike Mounting

5.1.1 EASB-32 Door Preparation

Locate and mark the position of the EASB-32 on the door. The strike location is determined by the center position of the lock face. Drill through the door using a 1-1/4" [32mm] Drill or Hole Saw. Remove the mounting cap from the front of the main housing. Insert the main housing through the door until the anti-rotation pins touch the door face. Place a protective material over the crown of the housing, to prevent damage to the housing, tap with a hammer to make center mark drilling locations in the door for the anti-rotation pins. Remove the main housing from the door and drill the two (2) holes using a 1/8" [3.2mm] drill approximately 1/4" [6.4mm] deep.

Note: See Figure 1 for a concept of a completed installation.

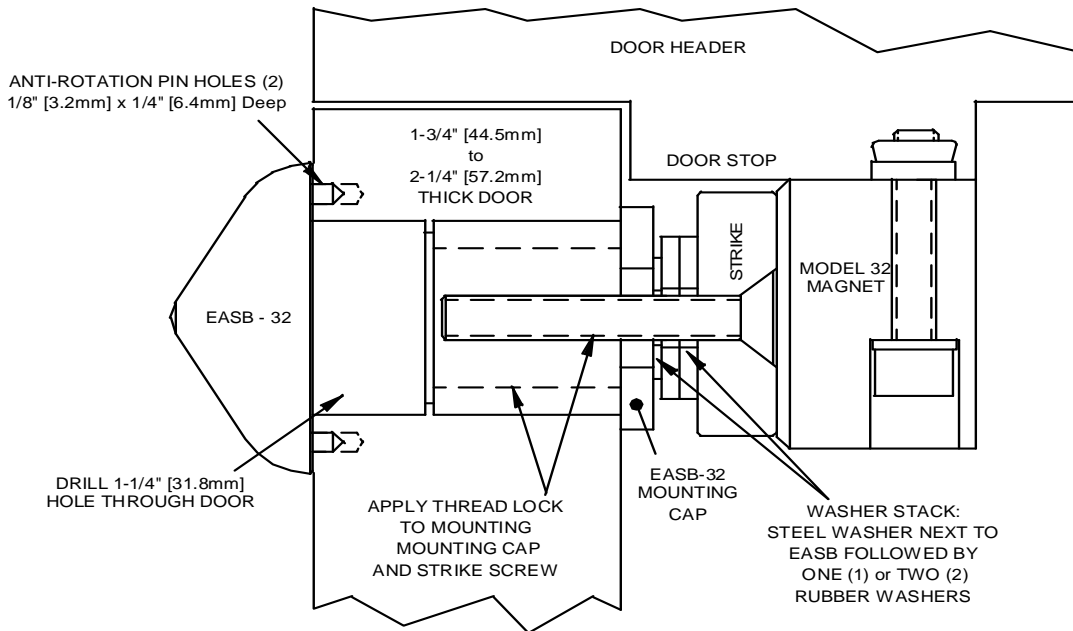


Figure 1

5.1.2 EASB-32 Strike Assembly

Re-insert the main housing into the door and insert the anti-rotation pins into the alignment holes. Install the mounting cap onto the housing using the thread locker compound provided and tighten thoroughly using an adjustable wrench with a minimum jaw opening of 1-5/16" [33mm]. Install the strike assembly hardware as shown in the Figure 1 Illustration and the *Magnalock Installation Manual*.

5.1.3 EASB-62/82 Door Preparation

Locate and mark the position of the EASB-62/82 on the door. The strike location is determined by the center position of the lock face. Drill through the door using a 2" [50.8mm] Drill or Hole Saw. Remove the two (2) screws and Base Plate from the front of the main housing. Insert the main housing through the door until the anti-rotation pins touch the door face. Place a protective material over the crown of the housing, to prevent damage to the housing, tap with a hammer to make center mark drilling locations in the door for the anti-rotation pins. Remove the main housing from the door and drill the two (2) holes using a 1/8" [3.2mm] drill approximately 1/4" [6.4mm] deep. *Note: See Figure 2 for a concept of a completed installation.*

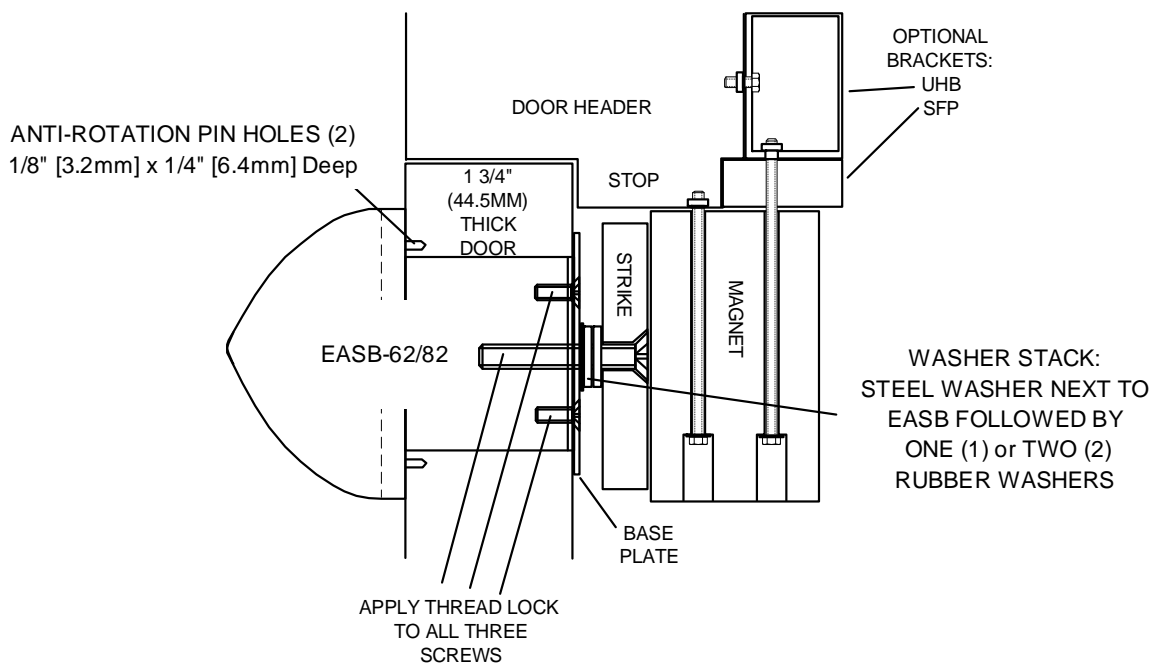


Figure 2

5.1.4 EASB-62/82 Strike Assembly

Reinstall the base plate back and two (2) mounting screws onto the housing using the thread locker compound provided. Tighten thoroughly using a Phillips screwdriver. Install the strike assembly hardware as shown in Figure 2 and the *Magnalock Installation Manual*.

6. Thinner and Thicker Door Applications

6.1 EASB-32 Strike Assembly

The EASB-32 is dimensioned to fit a door thickness range from 1.700" [43.2mm] to 2-1/4" [57.2mm]. The mounting cap has a threaded body which allows for the variation. The remaining threads should have a thread locker applied to maintain the installation of the EASB-32 assembly. The strike mounting screws supplied with the unit come in two (2) lengths. The 2" [50.8mm] long screw is used for door thicknesses from 1-3/4" to 2" [50.8mm]. The 2-1/4" long screw is for door thicknesses from 2" to 2-1/4".

6.2 EASB-62 Strike Assembly

The EASB-62 and EASB-82 have the same body type for installation. It is designed strictly for 1-3/4" thick doors. If the door is a different thickness, contact the factory. Consider the lock model, the door type and door thickness when ordering an EASB device.

Note: For thinner doors, Securitron will furnish, upon request, an anti-rotation washer. The washer installs under the mounting head and keys up to the anti-rotation pins. For thicker doors, Securitron will furnish, upon request, longer Base Plate mounting screws, an adaptor bushing and a longer strike mounting screw.

7. Hole Drilling Difficulty

If there is an obstruction, which doesn't allow proper drilling of the mounting hole in the door, reposition the Magnalock and the EASB further back from the door stop. If lowering the Magnalock is necessary, Securitron manufactures two (2) types of 1/2" [12.7mm] thick spacer brackets (Models: ASB or CWB).

Contact the factory

8. Retrofit An Existing Installation

Remove the strike and remove the sex bolt from the door installation. To enlarge the original sex bolt hole, use a block of wood as a template. Drill the desired size hole, 1-1/4" [31.8mm] diameter for EASB-32 or 2" [50.8mm] diameter for the EASB-62/82 into the block of wood. Carefully position and clamp the template block into place over the center of the existing hole or in the desired center mounting location for the EASB. Using the Hole Saw desired, enlarge the mounting hole.

Note: Be cautious to maintain alignment when drilling the hole into the door.

9. MAGNACARE® LIFETIME REPLACEMENT WARRANTY

For warranty information visit: www.securitron.com/en/site/securitron/About/MagnaCare-Warranty/