

# SUPPLEMENT to Installation Instructions

The steps below supplement the installation instructions, continuing after the last step:

## INSTALL INSIDE ASSEMBLY

- A. See Fig. A. Before installing the black plastic "inside housing", apply dielectric grease (provided) into all of the plugs and sockets that are described below. Connect the ribbon cable plug into its socket located on the inside housing circuit board, then connect the Auxiliary Power, Remote Release, and External Relay Contact plugs into their respective sockets shown in Fig. A. **Note:** These plugs and sockets fit only one way -- do not force any connections. Do not allow wires to cross or lay on top of each other. Before tightening any of the screws or bolts described below, jiggle the ribbon cable and all other wiring to ensure wires are not pinched.

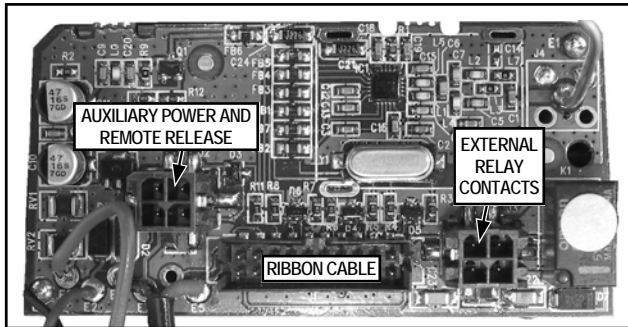


FIG. A: SOCKETS LOCATED IN THE INSIDE HOUSING CIRCUIT BOARD

- B. Secure the top of the "inside housing" to the inside mounting plate with two black 4-40 x 1/4 flat head Phillips or spanner head security screws. See Fig. B.



FIG. B: SECURE TOP OF INSIDE HOUSING

- C. Connect the battery pack plug to the circuit board battery plug as shown in Fig. C. Note that upon connection of the battery pack, you will hear three beeps.



## 6500 Series

### The Keyless, Electronic Network Mortise Lockset

# INSTALLATION INSTRUCTIONS

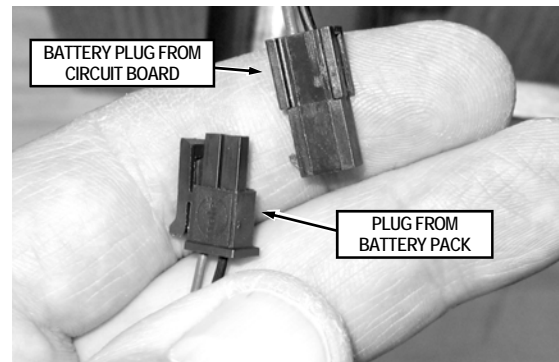


FIG. C: CONNECT THE BATTERY PLUGS

- D. Insert the battery pack into inside housing as shown in Fig. D.



FIG. D: INSERT BATTERY PACK INTO HOUSING ("SEALED" TYPE SHOWN)

- E. Secure the battery cover to the "inside housing" with two black 4-40 x 1/4 flat head Phillips or spanner head security screws as shown in Fig. E.

(continued)

**ALARM LOCK SYSTEMS, INC.**  
A division of the **Napco Security Technologies, Inc.**  
345 Bayview Avenue  
Amityville, New York 11701  
For Sales and Repairs 1-800-ALA-LOCK  
For Technical Service 1-800-645-9440  
*(Note: Technical Service is for locksmiths and alarm professionals only)*  
Publicly traded on NASDAQ Symbol: NSSC



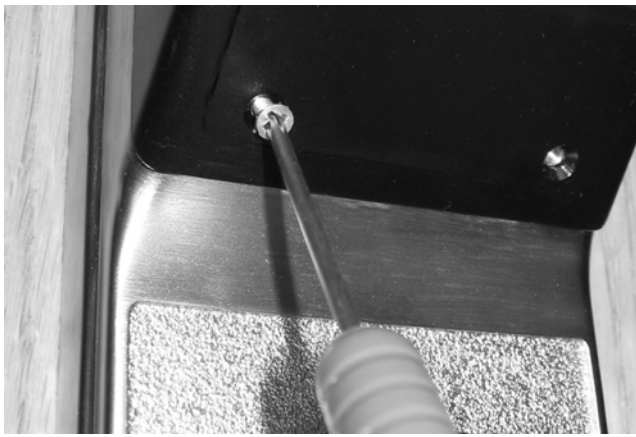


FIG. E: SECURE BATTERY COVER

## PROGRAMMING

Your lock memory can be programmed (and re-programmed again and again) to suit your changing requirements. Instead of distributing metal keys, add *User Codes* to the lock's memory and distribute them to Users. Instead of collecting metal keys, simply delete the *User Codes* from the lock memory. To program your lock using the lock keypad, see the programming instructions included with your lock.

## TROUBLESHOOTING

### Electronic Trouble:

*Lock will not accept new codes during programming.*

- **Solution:** Follow the "**ERASE ALL PROGRAMMING**" procedure (see page 3), then start programming again.

*Lock drains batteries quickly.*

- **Solution:** Check for pinched or cut wires. Check for water damage. If condition persists, consult factory.

*Lock is inoperative.*

- **Solution:** Check batteries for proper polarity and check for pinched or cut wires.

*Lock sounds "pulsing beeps" (with red flickering LED) during lock operation.*

- **Solution:** Low battery signal - replace batteries.

### Mechanical Trouble:

*Lever pulls off.*

- Lever Catch not fully engaged. Lock is not centered on door. Door too thick.

*Unable to assemble outside lever.*

- Key and tailpiece orientation are incorrect.

*Latch will not fully retract.*

- Lock is not properly engaged with latch or misaligned. Lock is not centered on door.

*Key binds in lock.*

- Lever Catch not fully engaged. Lock is not centered on door. Check for proper tailpiece and proper orientation of tailpiece.

## WIRE CONNECTIONS

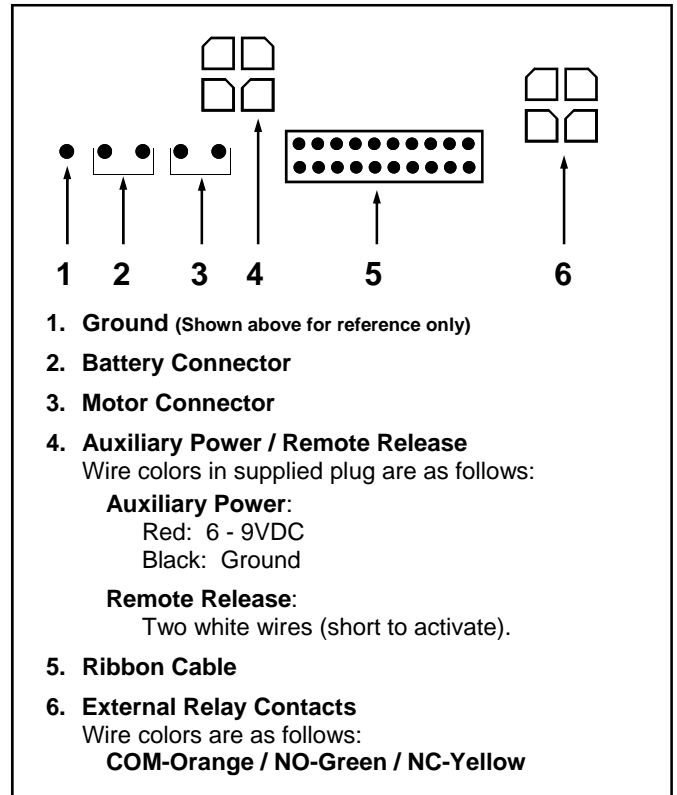


FIG. F: WIRE CONNECTIONS

## WIRING AND POWER UP

**Note:** See the lock programming instructions for additional programming information.

### Auxiliary Power:

**Red / Black wires** - Use an external 7.5VDC power source for operation without batteries.

### Remote Release:

**White / White wires** - Wire a normally-open contact to these two white wires. Momentarily short to unlock, thus allowing the person to pass through door. **NOTE:** These Remote Release wires are enabled from the factory. See the lock programming instructions for additional information.

### External Relay Contacts:

**COM-Orange / NO-Green / NC-Yellow** - See the lock programming instructions ("Function 67") for the available relay programming options.


## POWER UP

**Note:** Battery packs are available in two types: A "sealed" battery pack that must be discarded if found to be weak, or a "user-serviceable" pack that can be disassembled and refilled with four (4) C-cell batteries (use alkaline batteries only). For applying power for the first time, see **FIRST TIME POWER UP**; if re-applying power to a lock previously in operation, go to "**WHEN POWER IS RE-APPLIED**".

### FIRST TIME POWER UP


1. Unpack the lock.
2. With the batteries disconnected, hold down the 

key for 10 seconds and release.

3. Connect the batteries and listen for 3 beeps. Within 5 seconds of hearing the 3 beeps, press and hold  until beeping starts. This will clear the lock of all programmed data. **Important:** If you do NOT hear these 3 beeps, you must start over at step 2.
4. Listen for another series of beeps and LED flashes followed by 10 seconds of silence. The lock is now ready to program. *Failure to follow this exact procedure can result in erratic lock behavior.*



### **WHEN POWER IS RE-APPLIED**

When power is re-applied to a lock that was previously in operation, proceed as follows:

1. Disconnect battery pack connector.
2. With battery power disconnected, press and hold down  for 10 seconds to ensure discharge of all capacitors.
3. Re-connect battery pack (lock will sound 3 short beeps). If beeps are NOT heard, then restart from step 1.
4. Do not press any keys for 15 seconds.
5. After 15 seconds, the LED will flash red 6 times and 6 beeps will sound.
6. The lock is now ready for use. The pre-existing program is loaded from fixed memory. Reset the clock using Functions 38, 39 and 40 as detailed in the lock keypad programming instructions provided or download the clock settings **wirelessly** as described in the **DL-Windows Wireless Setup & Configuration Instructions** (OI352).

### **ERASE ALL PROGRAMMING**

The "out of box" factory default will be loaded.

1. Remove the battery pack.
2. With battery power disconnected, press and hold down  for 10 seconds to ensure discharge of all capacitors.
3. Re-install the battery pack (lock will sound 3 short beeps). If beeps are not heard, then restart from step 1.
4. Within 5 seconds after hearing the 3 short beeps, press and hold  until the lock begins to beep, then release.
5. A series of 5 RED LED and 5 beeps will be heard followed by 10 seconds of silence, then 3 GREEN LED's and 3 fast beeps.

All settings and programming have been erased and the lock is now ready for use. **Note:** All lock programming can also be erased (without need to disconnect the batteries) by entering Function 99 as detailed in the lock keypad programming instructions or download the clock settings **wirelessly** as described in the **DL-Windows Wireless Setup & Configuration Instructions** (OI352).

### **BATTERY REPLACEMENT**

When a valid code is entered and the batteries are weak, the LED will flicker red and the sounder will sound "pulsing beeps". *Always replace weak batteries as soon as possible.*

**CAUTION:** Do not press any keys while batteries are disconnected or you may erase the real-time clock settings.

1. At the back of the lock, remove the two screws at the bottom of the lock housing and remove the cover.
2. Pull out the battery pack. Disconnect the old battery pack and quickly (within 1 minute) re-connect the new battery pack. Listen for any beeping sounds.
3. If you **DO NOT** hear the 3 beeps when power is re-applied, all programming and settings have been retained, and the lock is ready for use. Go to step 5.
4. If you **DO** hear 3 beeps when power is re-applied, do not press any keys for 15 seconds. After the 15 second period, the LED will flash red 6 times and 6 beeps will sound. Reset the clock using functions 38, 39 and 40 as detailed in the lock keypad programming instructions or download the clock settings **wirelessly** as described in the **DL-Windows Wireless Setup & Configuration Instructions** (OI352).
5. Replace the cover and tighten the screws.

### **WIRELESS LOCK CONFIGURATION OVERVIEW**

The Trilogy Network™ wireless door locks allow you to upload and download programming features **wirelessly** using a computer connected to a computer network. With "wireless" communication, the various cables and/or AL-DTM Data Transfer Module devices are NOT required to transfer data. With a few clicks of the computer mouse, you can use your computer to retrieve logs, download User Codes and program features into and out of each wireless door lock in your installation. See the **DL-Windows Wireless Setup & Configuration Instructions** (OI352) for complete information.

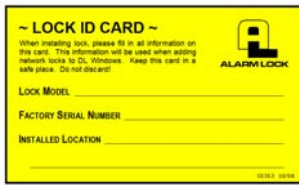
**Important Note:** Keypad programming of User Codes, Features, Time Zones, and Schedules is available as a **temporary** convenience to allow the lock to be put into use before installing and configuring a wireless network. *Therefore, all lock programming added via the keypad cannot be retrieved into DL-Windows.* If you decide to start programming your wireless lock via the keypad, we recommend you keep hardcopy records (in a secure location) of all Users, their User Codes, and any proximity cards that may have been programmed. Keeping complete and accurate records saves time because after the wireless network is set up, any programming added via the keypad must be re-added to DL-Windows and downloaded back to the lock(s).

DL-Windows software is installed on a computer that is connected to a computer network; connected to this network is an intermediate device called a *Gateway* that communicates to a radio located inside each door lock. In this way, the software allows full programming and control of each lock in the system.

To ensure each physical lock is identified correctly by DL-Windows, the factory assigns each lock a unique serial number. After locks are installed on the doors and the Gateways are mounted, the Gateways search for new locks, allowing them to be enrolled into the system.

For every new wireless lock installed on a door, we recommend that you fill out a new yellow-colored "Lock ID Card" with the location, lock model and serial number. These ID

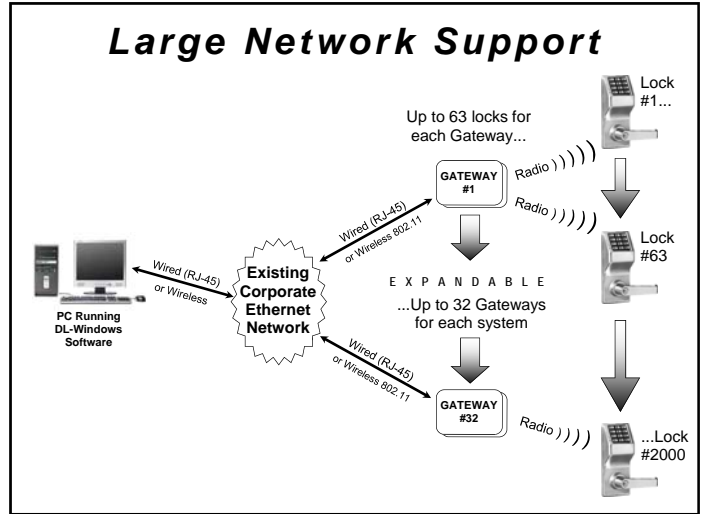
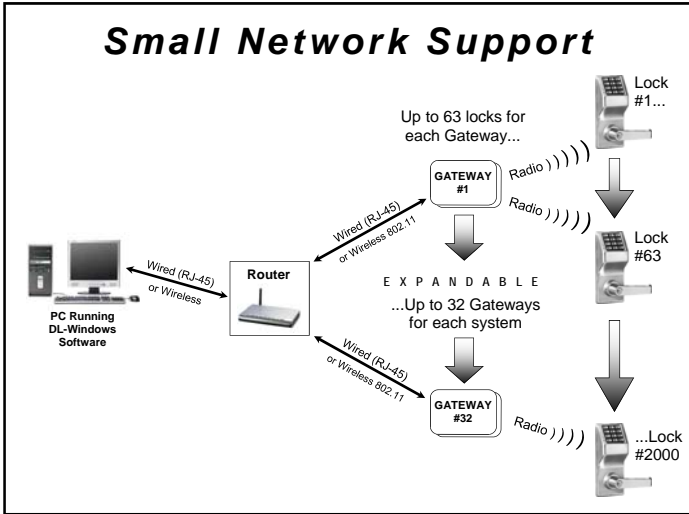
cards are a convenient way to keep track of and ensure all locks are correctly enrolled in the DL-Windows Account.



### Flexible Setup

In addition to wireless communication, *these wireless door locks can also be programmed at the keypad.* This means that locks can be installed on the doors and *immediately be put into use via keypad programming—even before a wireless network is set up.* Therefore,

you can install the locks on the doors before configuring the wireless network, or you can set up the wireless network first and add locks later. If you wish, you can even start by designing a "virtual" system within DL-Windows (creating new Accounts, adding Users and configuring lock features, etc.), then set up the network and install the lock hardware later. But in the end, after your lock hardware is physically installed and the network is up and running, you can run DL-Windows to link the "virtual" system saved on your computer with the "real" lock hardware on the doors.



## ALARM LOCK LIMITED WARRANTY

ALARM LOCK SYSTEMS, INC. (ALARM LOCK) warrants its products to be free from manufacturing defects in materials and workmanship for 24 months following the date of manufacture. ALARM LOCK will, within said period, at its option, repair or replace any product failing to operate correctly without charge to the original purchaser or user.

This warranty shall not apply to any equipment, or any part thereof, which has been repaired by others, improperly installed, improperly used, abused, altered, damaged, subjected to acts of God, or on which any serial numbers have been altered, defaced or removed. Seller will not be responsible for any dismantling or reinstallation charges.

THERE ARE NO WARRANTIES, EXPRESS OR IMPLIED, WHICH EXTEND BEYOND THE DESCRIPTION ON THE FACE HEREOF. THERE IS NO EXPRESS OR IMPLIED WARRANTY OF MERCHANTABILITY OR A WARRANTY OF FITNESS FOR A PARTICULAR PURPOSE. ADDITIONALLY, THIS WARRANTY IS IN LIEU OF ALL OTHER OBLIGATIONS OR LIABILITIES ON THE PART OF ALARM LOCK.

Any action for breach of warranty, including but not limited to any implied warranty of merchantability, must be brought within the six months following the end of the warranty period. IN NO CASE SHALL ALARM LOCK BE LIABLE TO ANYONE FOR ANY CONSEQUENTIAL OR INCIDENTAL DAMAGES FOR BREACH OF THIS OR ANY OTHER WARRANTY, EXPRESS OR IMPLIED, EVEN IF THE LOSS OR DAMAGE IS CAUSED BY THE SELLER'S OWN NEGLIGENCE OR FAULT.

In case of defect, contact the security professional who installed and maintains your security system. In order to exercise the warranty, the product must be returned by the security professional, shipping costs prepaid and insured to ALARM LOCK. After repair or replacement, ALARM LOCK assumes the cost of returning products under warranty. ALARM LOCK shall have no obligation under this warranty, or otherwise, if the product has been repaired by others, improperly installed, improperly used, abused, altered, damaged, subjected to accident, nuisance, flood, fire or acts of God, or on which any serial numbers have been altered, defaced or removed. ALARM LOCK will not be responsible for any dismantling, reassembly or reinstallation charges.

This warranty contains the entire warranty. It is the sole warranty and any prior agreements or representations, whether oral or written, are either merged herein or are expressly canceled. ALARM LOCK neither assumes, nor authorizes any other person purporting to act on its behalf to modify, to

change, or to assume for it, any other warranty or liability concerning its products.

In no event shall ALARM LOCK be liable for an amount in excess of ALARM LOCK's original selling price of the product, for any loss or damage, whether direct, indirect, incidental, consequential, or otherwise arising out of any failure of the product. Seller's warranty, as hereinabove set forth, shall not be enlarged, diminished or affected by and no obligation or liability shall arise or grow out of Seller's rendering of technical advice or service in connection with Buyer's order of the goods furnished hereunder.

ALARM LOCK RECOMMENDS THAT THE ENTIRE SYSTEM BE COMPLETELY TESTED WEEKLY.

Warning: Despite frequent testing, and due to, but not limited to, any or all of the following; criminal tampering, electrical or communications disruption, it is possible for the system to fail to perform as expected. ALARM LOCK does not represent that the product/system may not be compromised or circumvented; or that the product or system will prevent any personal injury or property loss by burglary, robbery, fire or otherwise; nor that the product or system will in all cases provide adequate warning or protection. A properly installed and maintained alarm may only reduce risk of burglary, robbery, fire or otherwise but it is not insurance or a guarantee that these events will not occur. CONSEQUENTLY, SELLER SHALL HAVE NO LIABILITY FOR ANY PERSONAL INJURY, PROPERTY DAMAGE, OR OTHER LOSS BASED ON A CLAIM THE PRODUCT FAILED TO GIVE WARNING. Therefore, the installer should in turn advise the consumer to take any and all precautions for his or her safety including, but not limited to, fleeing the premises and allege police or fire department, in order to mitigate the possibilities of harm and/or damage.

ALARM LOCK is not an insurer of either the property or safety of the user's family or employees, and limits its liability for any loss or damage including incidental or consequential damages to ALARM LOCK's original selling price of the product regardless of the cause of such loss or damage.

Some states do not allow limitations on how long an implied warranty lasts or do not allow the exclusion or limitation of incidental or consequential damages, or differentiate in their treatment of limitations of liability for ordinary or gross negligence, so the above limitations or exclusions may not apply to you. This Warranty gives you specific legal rights and you may also have other rights which vary from state to state.