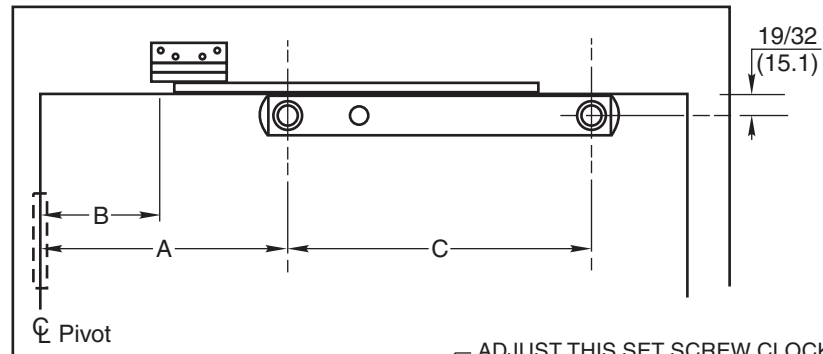


4. Install channel on door with "A" dimension and 19/32 (15.1) from top of door. Locate "C" dimension sex bolt hole making sure that channel is horizontal and parallel with top edge of door. Drill 1/2 (12.7) dia. sex bolt hole and finish installing holder. Install control knob on channel as shown. Install jamb bracket to angle bracket.

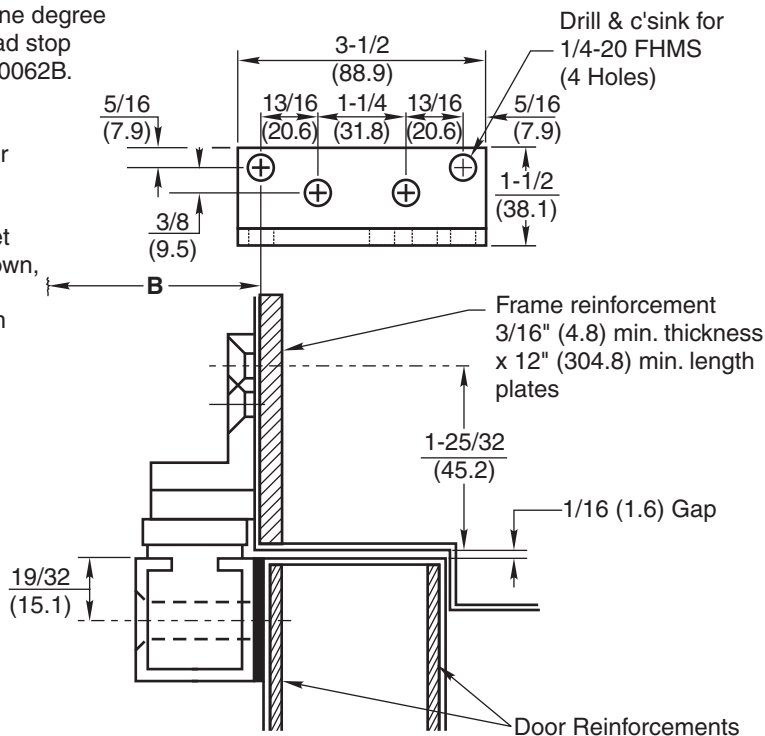


### INSTALLATION INSTRUCTIONS

1. Select and determine degree of hold open or dead stop from chart on OH80062B.

2. Locate "A" and "B" dimensions on door and frame.

3. Install angle bracket on front face as shown, using "B" dim. and 1-25/32" (45.2) from jamb to top hole in bracket.

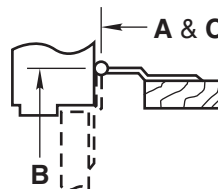


### Notes:

- All hollow metal frames should be properly reinforced with 3/16" (4.8) min. thickness x 12" (304.8) min. length reinforcement plates.
- All hollow metal doors should be properly reinforced with 2-1/2" (63.5) wide x 3/16" (4.8) min. thick x full width of door reinforcement plates.
- All drilling and tapping to be done by field men.
- Suggest mounting door stop or holder first and then other hardware to clear. Contact factory if interference results with other hardware.
- Left hand shown – right hand opposite. (Note hole pattern in jamb bracket).
- All dimensions are given in inches (mm).

### Caution:

Note location of swing clear hinge centerline to determine "A" and "B" dimensions.



Screw Details	
Jamb	Door
#1/4-20 x 3/4" FHMS or #14 x 1-1/2" FHWS (4 Places)	5/16-18 x 2" FHMS and 1/2" Dia. Sex Bolt (2 Places)

## No. 9 ADJ Angle Bracket Surface Mounted On Pull Side of Door Door Stops and Holders

**RIXSON®**

**ASSA ABLOY**

www.rixson.com

TEMPLATE NUMBER

**OH80092A**

DATE

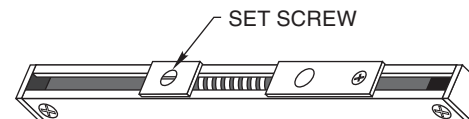
**03-11**

**No. 9 Series Surface Mounted Door Stops and Holders**

1. See OH80090A for installation instructions.
2. Select proper dimensions noted below.
3. All drilling and tapping to be done in field.
4. All dimensions given in inches.

Reversible, non-handed.

	Device Number			Degree				Max Opening
	H.O.	Stop	Multi	Door Opening	A	B	C	
1-3/4 to 2-1/4 Butts & 3/4 Offset Pivot	9ADJ-126	9ADJ-136	9ADJ-146	24 - 28	3-1/4	3-13/16	15-15/16	100°
	9ADJ-226	9ADJ-236	9ADJ-246	28-1/16- 33	6-1/2	4-5/16	17-3/16	110°
	9ADJ-326	9ADJ-336	9ADJ-346	33-1/16- 38	9-13/16	5-3/8	18-11/16	110°
	9ADJ-426	9ADJ-436	9ADJ-446	38-1/16 - 43	12-7/16	6-7/8	20-13/16	110°
	9ADJ-526	9ADJ-536	9ADJ-546	43-1/16 - 48	15-5/8	7-13/16	22-5/16	110°



**TO SELECT DEGREE OF STOP**

1. With a screwdriver, loosen the Set Screw in the Slide Block.
2. Open door to desired degree of opening.
3. Move Slide Block and Spring until the Spring touches Slide Cam.
4. Tighten Set Screw.
5. Verify door opening position and re-adjust, as needed.

NOTE: A and B dimensions measured from centerline of pivot, not edge of door.

	Device Number			Degree				Max Opening
	H.O.	Stop	Multi	Door Opening	A	B	C	
1-3/4 to 2-3/4 Center Hung	9ADJ-126	9ADJ-136	9ADJ-146	25-1/2 - 30	5-1/16	4-3/16	15-15/16	110°
	9ADJ-226	9ADJ-236	9ADJ-246	30-1/16 - 36	6-11/16	4-15/16	17-3/16	110°
	9ADJ-326	9ADJ-336	9ADJ-346	36-1/16 - 41	9-15/16	6-1/16	18-11/16	110°
	9ADJ-426	9ADJ-436	9ADJ-446	41-1/16 - 46	12-1/2	7-1/2	20-13/16	110°
	9ADJ-526	9ADJ-536	9ADJ-546	46-1/16 - 50	15-3/4	8-1/2	22-5/16	110°

**No. 9 ADJ  
Angle Bracket Surface Mounted On Pull Side of Door  
Door Stops and Holders**

**RIXSON®**

**ASSA ABLOY**

www.rixson.com

TEMPLATE NUMBER

**OH80092B**

DATE

**03-11**