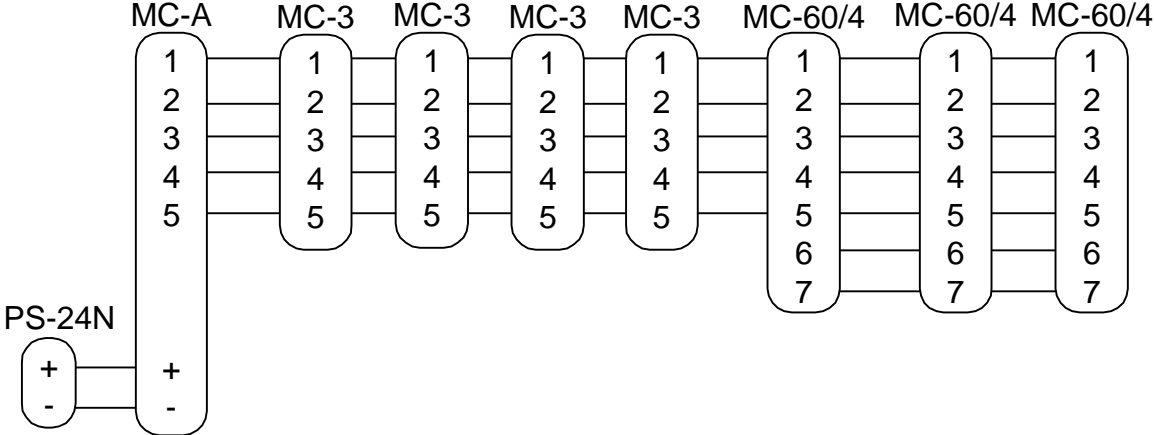


WIRING DIAGRAM

MC-60/4 INTERMIXED WITH MC-3 SYSTEM



NOTES:

- 1. Use Aiphone cable # 852207 between MC-60/4
- 2. Farthest MC-60/4 from the MC-A cannot exceed 1700 feet.
- 3. Total cable used can not exceed 4000 feet.
- 4. Runs of MC-60/4's are limited to a maximum of 10 units per run.
- 5. Only wiring concerning the interfacing of MC-3 with MC-60/4's is shown here. All other components in the system will wire as normal.