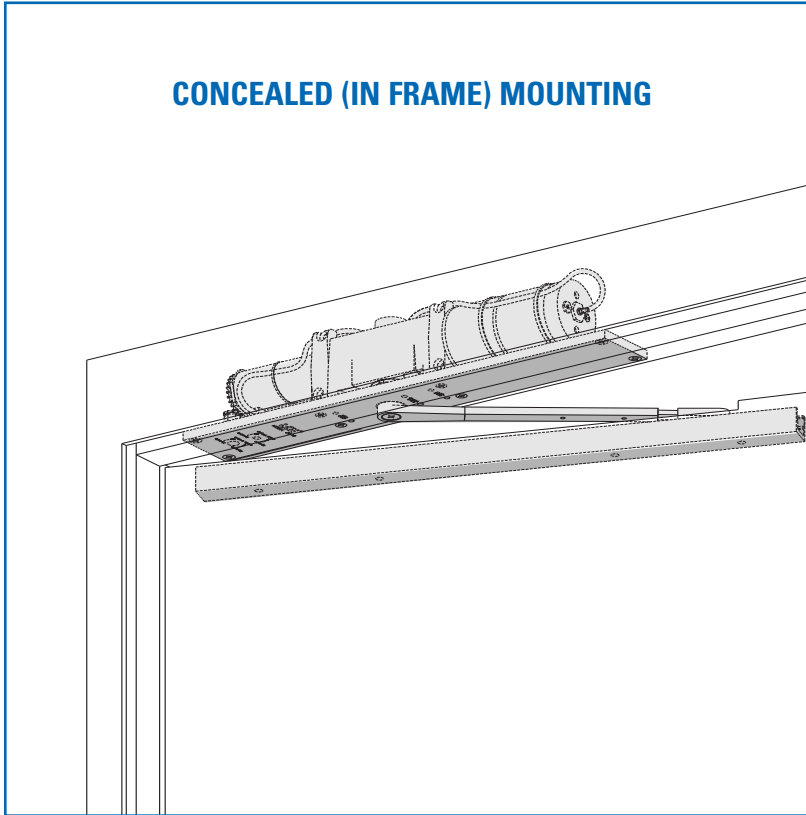


## CONCEALED (IN FRAME) MOUNTING



**The 2610 AUTO EQUALIZER™ is LCN's pneumatically powered MULTI-DOOR solution. This low-energy power operator provides easy access for people with disabilities, the elderly, or the frail. Designed primarily for manual opening applications that occasionally require automatic opening.**

- ▶ **Multi-Door Solution**
- ▶ **Utilizes a 10,000,000 Cycle Heavy Duty Door Closer**
- ▶ **Quiet, Efficient & Reliable**
- ▶ **Requires Control Boxes with integral compressor or control box using auxiliary air supply.**
- ▶ **No Guard Rails/Safety Mats Required**

*The 2610 Series is UL228 and meets the provisions of ANSI Standard A117.1, A156.19 and the Americans with Disabilities Act.*

- ▶ Ideal for multi-door applications since cost per door leaf decrease significantly as the number of door leaves increases.
- ▶ Standard 2610 series closer shipped with single lever (standard) arm, mounting/finish plate, standard track and wood and machine screw pack. See 2610 Series page 13 for options.
- ▶ Meets ADA requirements (power mode).
- ▶ Sized cylinders for interior doors to 4'0" and exterior doors to 3'0".
- ▶ Handed for right or left swinging doors.
- ▶ Requires additional system components. See CONTROL BOX pages 28-30 and ACTUATORS & ACCESSORIES, pages 199-215.
- ▶ Standard or optional custom powder coated finish.
- ▶ Optional plated finish on arm, fasteners, and mounting/finish plate.

MOUNTING				FINISH		COVER		CYLINDER			*ARM FUNCTION							
○ TOP JAMB (PULL SIDE)	○ TOP JAMB (PUSH SIDE)	○ PARALLEL ARM	● CONCEALED	● POWDER COAT	○ PLATED	○ PLASTIC	○ METAL	○ NON-HANDED	○ NON-SIZED	● ACCESSIBILITY*	○ POWER OPERATOR	○ HOLD-OPEN	90°	○ STANDARD (SINGLE)	○ REGULAR (DOUBLE)	○ EXTRA DUTY ARM	○ CUSH-N-STOP	○ SPRING CUSH

- AVAILABLE
- NOT AVAILABLE

*Meets ADA requirements (power mode).*  
 \* *See individual series for maximum manual opening.*

# LCN 2610 SERIES

## MOUNTING DETAILS

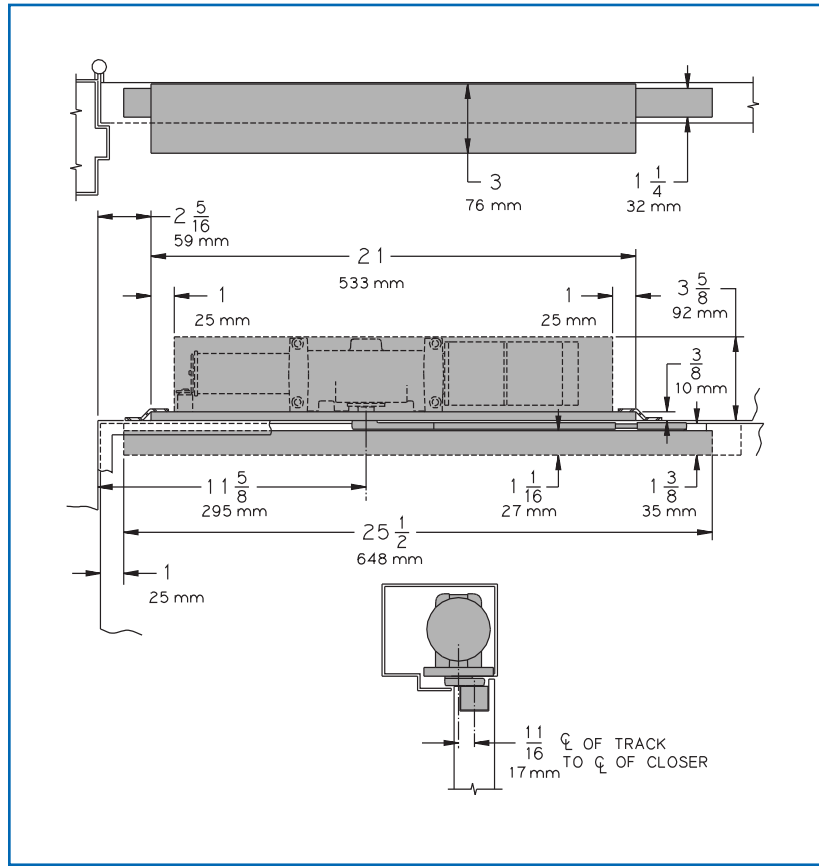
### CONCEALED MOUNTING

For interior or exterior doors.  
Single acting cylinder in head frame.  
Concealed arm and track in door  
top rail.

### MAXIMUM OPENING

Butt hinge template allows 90° power  
opening and 160° manual opening.

**Consult factory for all pivot  
mounted installations.**



- ▶ **Butt Hinges** should not exceed 5" (127 mm) in width.
- ▶ **Auxiliary Stop is recommended.**
- ▶ **Head Frame** minimum 4" (102 mm) x 4" for hollow metal or aluminum tube construction.
- ▶ **Top Rail** 1 3/8" (35 mm) mortise required.  
5/16" (8 mm) cutout required at top of the door, push side only.
- ▶ **System Diagram** See "AUTOMATIC OPERATORS" section pages 8-9 for typical system wiring, and page 30 for electrical and pneumatic data for control boxes.

### Special Templates

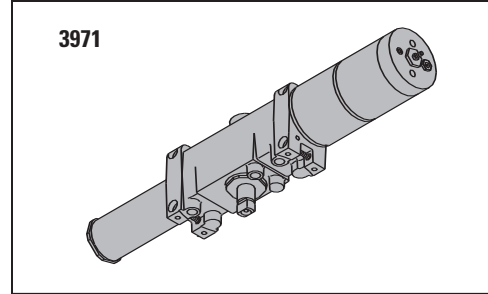
Customized installation templates  
or products may be available to  
solve unusual applications.  
Contact LCN for assistance.

## CYLINDERS

### CYLINDER ONLY, 2610-3971

Standard, handed, cast iron cylinder.

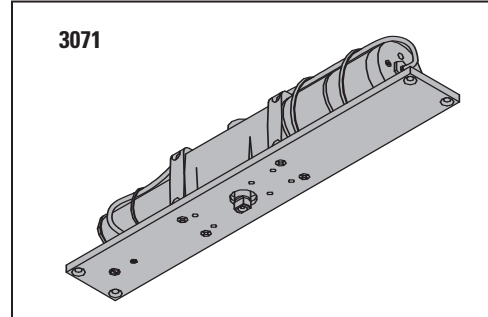
NOTE: For various applications see "Table of Sizes" page 14.



### CYLINDER ASSEMBLY, 2610-3071

Standard, handed, cast iron cylinder and mounting plate.

NOTE: For various applications see "Table of Sizes" page 14.

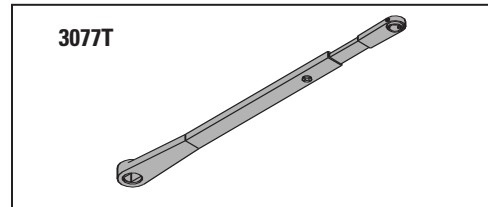


## ARMS

### STANDARD ARM, 2610-3077T

Handed arm.

Track roller not included with arm.

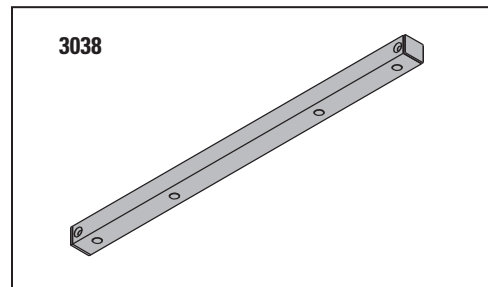


## TRACK

### STANDARD TRACK, 2610-3038

Standard non-handed track.

Will not accept hold open clip or bumper assembly.

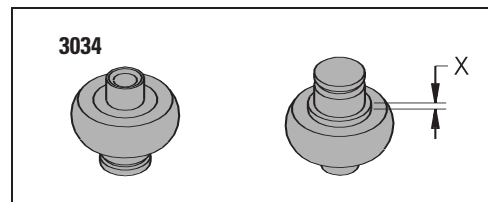


## INSTALLATION ACCESSORIES

### TRACK ROLLER, 2610-3034

Quiet, low friction roller assembly.

Shoulder dimension "X" = 1/16" (1 mm).



# LCN 2610 SERIES

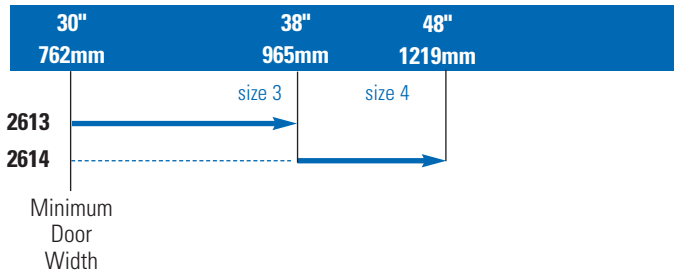
**TABLE OF SIZES** Select closer based on width of door.  
Sized 2610 series cylinders available in size 3 or 4.  
Closing power of all 2610 Series closers may be increased 15%.

→ Indicates recommended range of door width for closer size.  
NOTE: Minimum door width 30" (762 mm).

**EXTERIOR (and VESTIBULE) DOOR WIDTH**



**INTERIOR DOOR WIDTH**



**HOW-TO-ORDER 2610 SERIES CLOSERS**

**1. SELECT CYLINDER SIZE.**

- 2613
- 2614

**2. SPECIFY HAND.**

- RH
- LH

**3. SPECIFY FINISH.**

- Standard Powder Coat \_\_\_\_\_  
Aluminum, Dark Bronze, Tan, Statuary,  
Light Bronze, Black, Brass.

**Closer will be shipped with:**

- STANDARD ARM,
- TRACK ROLLER,
- STANDARD TRACK,
- WOOD and MACHINE SCREW PACK,  
*unless options listed below are selected.*

**CLOSER OPTIONS**

**FINISH**

- Custom Powder Coat (RAL) \_\_\_\_\_
- Plated Finish, US \_\_\_\_\_

**SCREW PACK**

- TB\*, Wood & Machine Screw (TBWMS)
- TORX Machine Screw (TORX)
- TB\* & TORX Machine Screw (TBTRX)

\*Specify door thickness if other than 1 3/4".

**SPECIAL TEMPLATE**

- ST-\_\_\_\_\_