

Introduction

- Read this manual before installation and connection.
- Read the "Setting Manual" and "Operation Manual". The manuals can be downloaded from our homepage at "https://www.aiphone.net/support/software-document/" free of charge.
- After completing installation and connection, program the system according to the "Setting Manual". The system cannot operate unless it is programmed.
- After performing installation, review with the customer how to operate system.

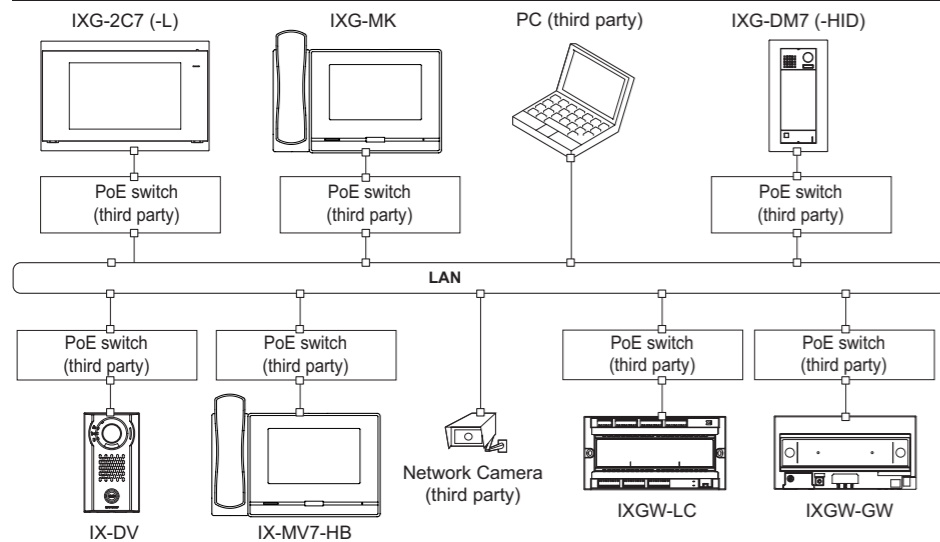
! Perform installation and connection only after gaining sufficient understanding of the system and this manual.

Literature information

The important information concerning correct operation and what you should observe is marked with the following symbols.

	Indicates that users may require caution (including warning / caution).
	Alerts users to prohibited actions.
	Restricts user actions / provides instructions.
	Tips and additional information for operation.

Example of System Configuration



Status Indicator

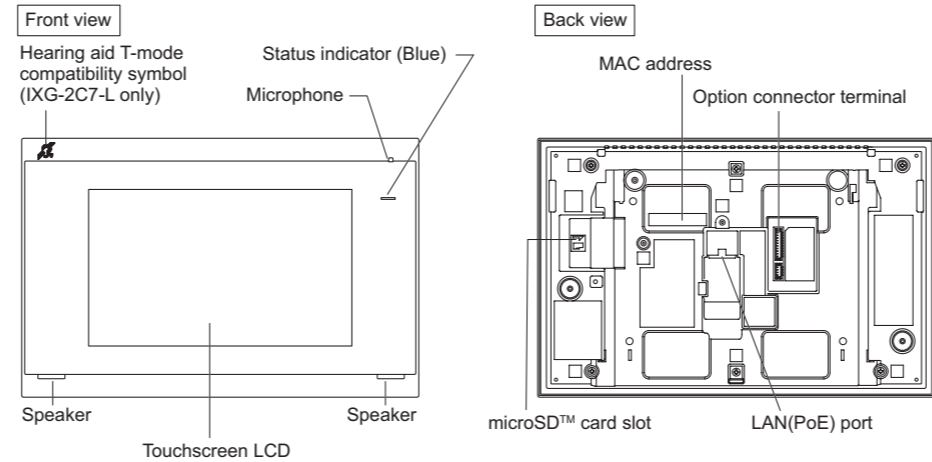
Refer to "IXG-2C7(-L) Operation Manual" for additional indicators not listed below.

: Lit : Off

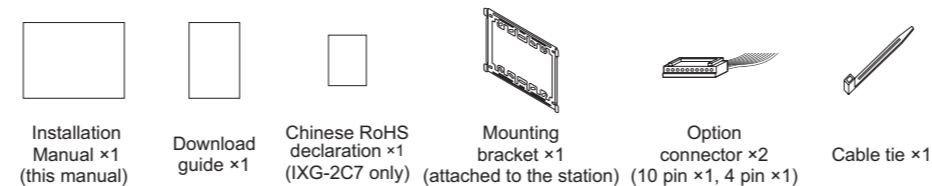
Status (pattern)	Description
Blue flashing 	Booting Communication failure Firmware version updating
Blue light 	Standby (Depends on setting)

Part Names and Accessories

IXG-2C7, IXG-2C7-L (hearing aid-compatible)



Included accessories



About microSD card

Choose a microSD card (sold separately) using the recommended specifications below (these are referred to collectively as "microSD cards").

Standard	Supported storage capacity	Format	Speed class
microSDHC memory cards	4 GB to 32 GB	FAT32	SD speed class 10

!

- A microSD card is not included with this station.
- Some microSD cards may not operate properly.
- If the card contains data other than video/audio files, it may not have enough space to record video/audio recordings.
- The network camera may not be able to record video, depending on the size of the video.

- A maximum of 999 video/audio files can be saved. However, this may vary depending on the size of the video/audio files and the capacity of the microSD card.
- Aiphone is not to be held responsible in any way for microSD cards.

Precautions

Warning Negligence could result in death or serious injury.

- Do not disassemble or modify the station.** This may result in fire or electrical shock.
- Do not connect any terminals on the station directly to an AC power line.** This may result in fire or electrical shock.
- Do not, under any circumstances, open the station.** Voltage within some internal components may cause electrical shock.

Caution Negligence could result in injury to people or damage to property.

- Do not install or connect the station with the power on.** This may result in electrical shock or malfunction.
- Make sure the wiring is correct and there are no wiring shorts before switching on the station.** This may result in fire or electrical shock.
- Install in a place where the station will not get easily bumped.** This may result in injury.
- Do not put your ear close to the speaker when using the station.** May cause harm to the ear if a sudden loud noise is emitted.

General Precautions

- Install low-voltage lines at least 30cm (12") away from high-voltage lines (AC100V - 240V), especially inverter air conditioner wiring. This may result in interference or malfunction.

Notice

- The illustrations used in this manual may differ from the actual product.
- If the station is used in areas where there are business-use wireless devices such as a transceiver or mobile phones, it may cause malfunction.
- If the station is installed in an area with an extremely strong electrical field, such as in the vicinity of a broadcasting station, it may create interference and cause malfunction.

Precautions for mounting

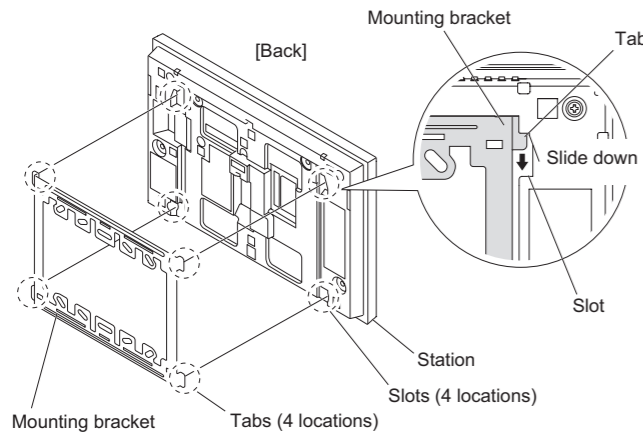
- Installing the device in the following locations could cause malfunction:
 - Locations under direct sunlight
 - Locations near heating equipment
 - Locations subject to liquid, iron filings, dust, oil, or chemicals
 - Locations subject to moisture and humidity extremes
 - Locations where the temperature is quite low
 - Locations subject to steam or oil smoke
 - Sulphurous environments
 - Locations close to the sea or directly exposed to sea breeze
- If existing wiring is used, the device may not operate properly. In that case, it will be necessary to replace the wiring.
- Do not use an impact driver to fasten screws. Doing so may cause damage to the device.
- Avoid installing the station in concave space of a wall to prevent disconnection of communication.
- This unit is designed for indoor use only. Do not install at outdoor location.

How to Install

When Flush mount kit is used, refer to the "How to Install" IXG-FMK-2C7 Installation Manual.

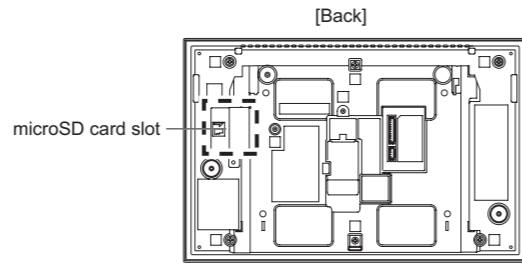
Installation of Tenant Station

1 Remove the mounting bracket.
Slide the mounting bracket down and remove it.



2 Insert a microSD card into the microSD card slot if recording function is used.

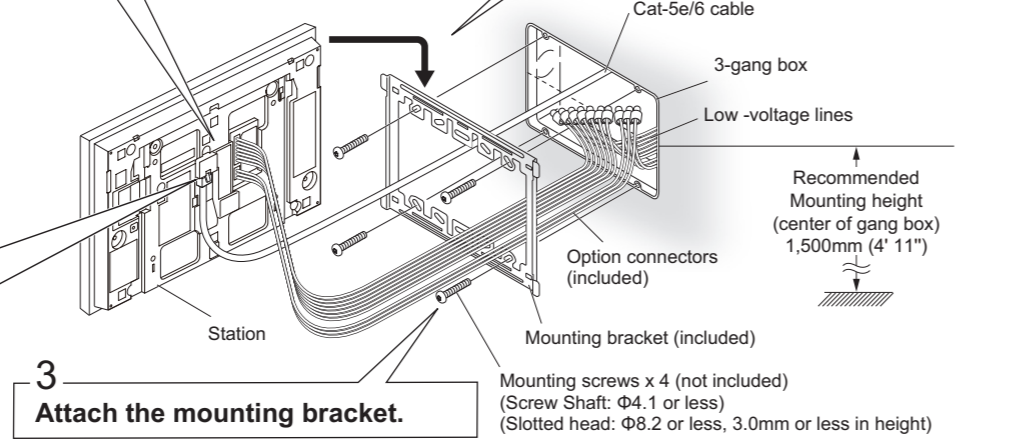
- * If microSD card is not needed, go to step 3.
- (1) Pull the microSD card slot cover to open.
- (2) Insert a microSD card.
*Push it in until you hear it click into place.
*When you take the microSD card out, push the microSD card until you hear it click, and then remove it.
- (3) Return the cover.



4 Connect the option connector (included) to the low-voltage lines using crimping method, then insert the option connector and Cat-5e/6 cable to the station.

5 Fasten Cat-5e/6 cable to the station with the cable tie (included).

Be sure to fasten Cat-5e/6 cable to prevent from coming out.



6 Attach the station to the mounting bracket.

How to Connect

Connection Precautions

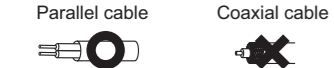
- Cat-5e/6 cable**
- For connection between devices, use a straight-through cable.
- If necessary, when bending the cable, please observe the manufacturer's recommendations. Failure to do so could cause a communication failure.
- Do not strip away the cable insulation any more than is necessary.
- Perform termination in accordance with TIA/EIA-568A or 568B.
- Before connecting the cable, be sure to verify conduction using a LAN checker or similar tool.
- A RJ45 covered connector cannot be connected to the LAN ports of the stations. Use cables without covers on the connectors.



Be careful not to pull on the cable or subject it to excessive stress.

Precautions regarding low-voltage line

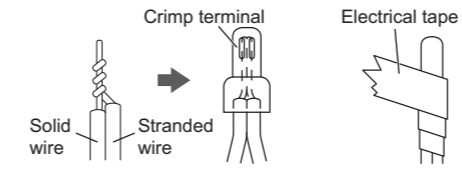
- Use PE (polyethylene)-insulated PVC jacketed cable. Parallel or jacketed conductors, mid-capacitance, non-shielded cable is recommended.
- Never use twisted-pair cable or coaxial cable.
- 2Pr quad V twisted pair cables cannot be used.



- When connecting low-voltage lines, perform the connection using either the crimp sleeve method or soldering, then insulate the connection with electrical tape.

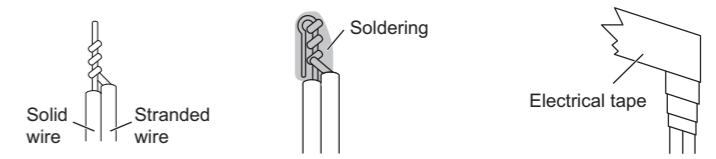
● Crimp sleeve method

- Line up the solid wire and stranded wire and crimp them together.
- Overlap the tape by at least a half width and wrap the connection at least twice.



● Soldering method

- Twist the stranded wire around the solid wire at least 3 times.
- After bending down the point, perform soldering, with care that no wires protrude from the soldering.
- Overlap the tape by at least a half width and wrap the connection at least twice.



! If the connector-attached lead wire is too short, extend the lead with an intermediate connection.

As the connector has polarity, perform the connection correctly. If the polarity is incorrect, the device will not operate.

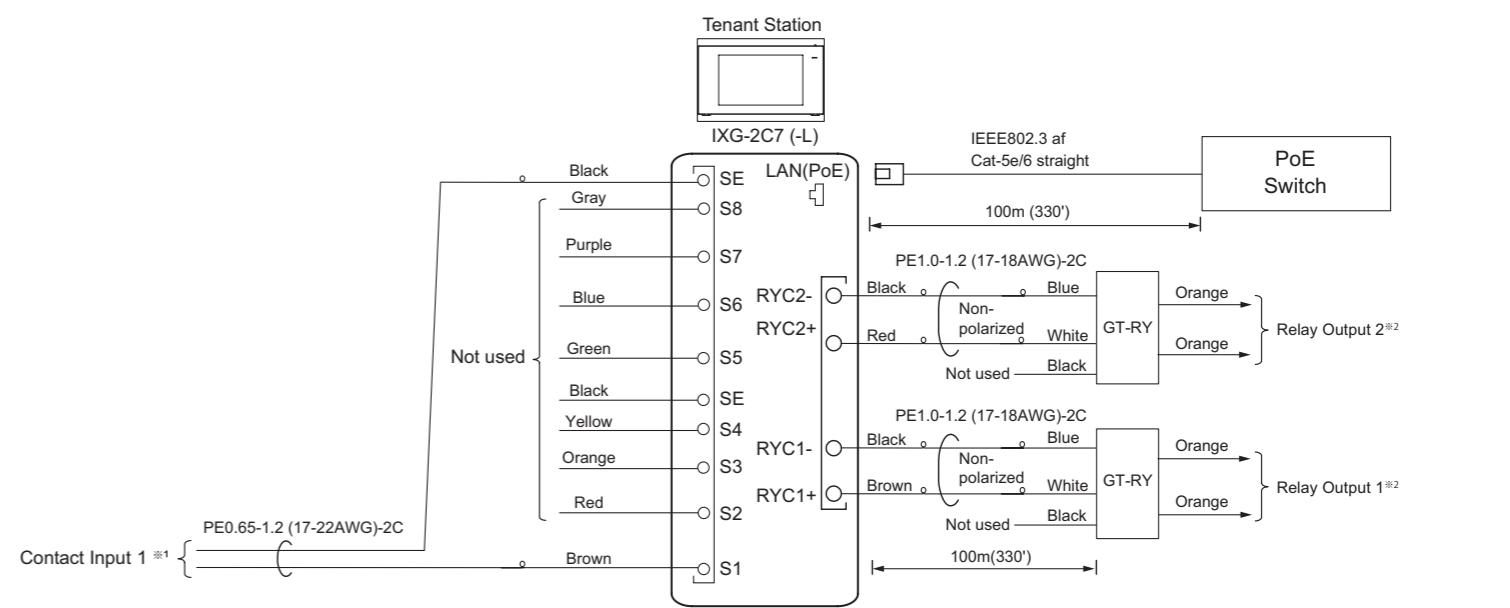
When using the crimp sleeve method, if the end of the connector-attached lead wire has been soldered, first cut off the soldered part and then perform crimp.

After completing connection of wires, check that there are no breaks or inadequate connections. When connecting low-voltage lines in particular, perform the connection using either soldering or the crimp sleeve method and then insulate the connection with electrical tape. For optimal performance, keep the number of wiring connections to a minimum.

Simply twisting low-voltage lines together will create poor contact or will lead to oxidation of the surface of the low-voltage lines over long-term use, causing poor contact and resulting in the device malfunctioning or failure.

Wiring Connection

- ! Insulate and secure unused low-voltage lines and the connector-attached lead wire.



※ 1 Contact Input Specifications

Input method	Programmable dry contact (N/O or N/C)
Detection time	200 msec or more
Contact resistance	Make: 700 Ω or less Break: 3 kΩ or more
Terminal short-circuit current	10 mA or less
Voltage between terminals	5.5 VDC or less (between open terminals)

※ 2 Relay Output Specifications (GT-RY)

Output method	Form A dry contact (N/O)
Contact rating	24 VAC, 0.5A (resistive load) 24 VDC, 0.5A (resistive load)