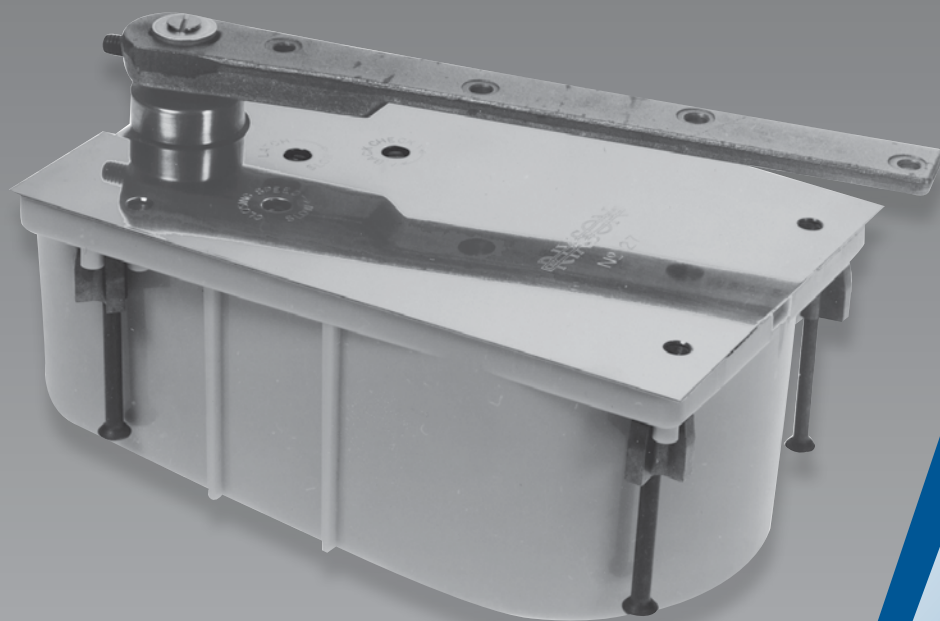


# Heavy-Duty Floor Closers

Complete Door Control for  
Exterior and Interior, High Traffic, Heavy  
Doors, Where Concealment is Desired



**RIXSON**  
**ASSA ABLOY**

ASSA ABLOY, the global leader  
in door opening solutions

General Information .....	3
How to Select Product .....	4-5
Options .....	6-7
Certifications.....	7
Limited Warranty .....	7
Specifications.....	7
<b>Offset Floor Closers</b>	
27 Offset Floor Closer .....	8
27-180 Offset Floor Closer 180° Swing.....	9
127 Closer for Deep Reveal .....	10
427 Closer for Alcove Application .....	11
F327 Closer Independently Hung – Hanging Means by Others .....	12
L27 Closer for Lead-Lined/Heavy Weight/High Traffic Doors .....	13
L27-180 Closer for Lead-Lined/Heavy Weight/High Traffic Doors 180° Swing .....	14
QT/Q27 Closer with Quick Install Mounting 1-3/4" Door .....	15
HM27 Closer with Offset Hinges for Hollow Metal Installations 1-3/4 Door .....	16
20 Lighter Duty Floor Closer .....	17
<b>Intermediate Pivots &amp; Hinges</b>	
119.....	18
M19/M190.....	18
ML19.....	19
FA19 .....	19
<b>Single-Acting Center Hung Floor Closers</b>	
28 x 554 Closer with Flat, Low Profile Arm .....	20
28 Closer with Arm Centering Screws .....	21
H28 Closer Heavy Weight/High Traffic 2" min. Door Thickness .....	22
H28 x 587 Closer Heavy Weight/High Traffic 1-3/4" Door or For Alternate Pivot Point .....	22
328 Closer for Patch Fittings (Patch Fittings by Others) .....	23
428 Closer with Patch Fittings .....	24
EH28 Closer Heavy Weight/High Traffic Power Transfer .....	25
EH28 x 587 Closer Heavy Weight/High Traffic 1-3/4" Door or For Alternate Pivot Point with Power Transfer .....	25
<b>Double-Acting Center Hung Floor Closer</b>	
30 Lighter Duty Double Acting Floor Closer .....	26
40 Double Acting Floor Closer .....	26
H40 Heavy Weight/High Traffic 2" Min. Door Thickness .....	27
H40 x 587 Closer Heavy Weight/High Traffic 1-3/4" Door or For Alternate Pivot Point .....	27
<b>Optional Center Hung Top Pivots</b>	
345.....	28
H345 .....	28
<b>Quick Reference of Options</b> .....	
How to Order .....	29
Parts Drawings .....	30-42

Floor closers provide the best mechanical means to support and control a door. They are designed to work with the laws of physics to provide long-lasting performance and reliability.

### The weight of the door is supported by bottom arm and floor

- Uses laws of gravity to its advantage
- Door swings with less resistance
- Heavier doors can be accommodated
- Reduced stress on frame
- Fasteners are in shear, not tension
- Eliminates door sag
- Vertically adjustable

### Heavy-duty, hardened, one piece steel spindles

- Designed to provide positive dead stop
- Thrust bearing supports vertical load
- Needle bearings for lateral forces
- Extra heavy-duty models also have an additional surface applied thrust bearing to handle heavier doors or doors that have very high traffic

### Bottom arm attached directly to closer spindle

- A mechanical advantage that increases efficiency insuring that ICC/ANSI A117.1 compliant, lower opening forces, will still close the door
- One to one ratio of door swing to spindle rotation makes control more precise
- Floor closers are more efficient than a regular arm surface closer

### Helical torsion spring

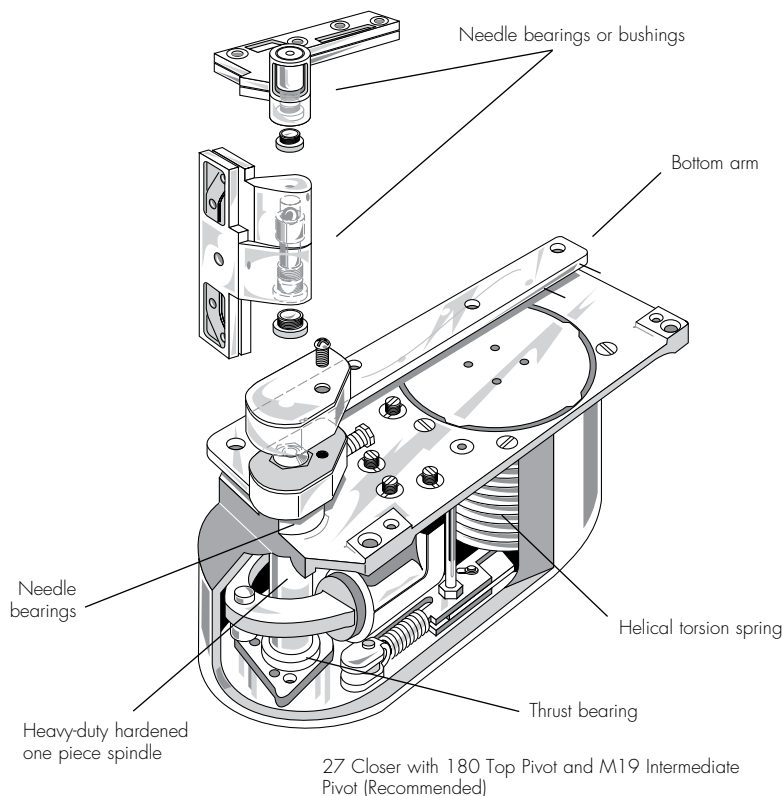
- Operates in same direction as door movement and contributes to even higher closer efficiency
- A torsion spring has a much longer life than standard compression springs

### Advantages of concealed floor closers

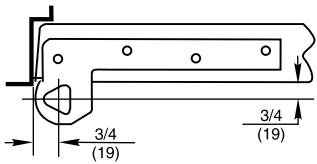
- Aesthetics – let the beauty of the door and its surroundings take center stage
- Vandal resistant – mechanism not exposed
- The solution for arch top doors – offset floor closers
- Both mechanical advantage and aesthetics – a concealed floor closer exclusive

### Many different models to choose from

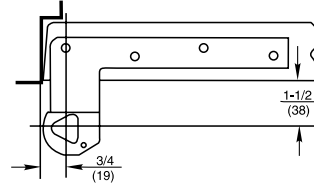
- Use standard product with a top pivot for the best efficiency
- Use a quick install (Q) model to facilitate easy closer removal
- Use extra heavy-duty (L & H) (L-offset) (H-center hung) models for higher traffic/lead lined or extremely heavy doors
- Use model HM with 3/4" offset hinges for hollow metal doors and frames prepared for 4-1/2" hinges
- Closers can be offset hung, center hung or independently hung, single or double acting (center hung only)



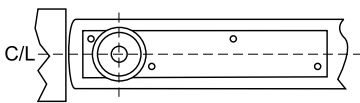
1. OFFSET VS. CENTER HUNG APPLICATION



**3/4" Offset**  
Pivot point located 3/4" from the heel edge of the door and 3/4" from face of door



**1-1/2" Offset**  
Pivot point located 3/4" from the heel edge of the door and 1-1/2" from face of door. Used on doors with cladding on face or trim on frame



**Center Hung**  
Pivot point centered in thickness of door. Distance from heel edge can vary 2-3/4" and up (Not for use on fire rated doors)

2. SIZE OF DOOR (WIDTH, HEIGHT, THICKNESS)

DOOR MATERIAL	DOOR THICKNESS		
	1-3/4"	2-1/4"	3"
Hollow Metal	6.5	7	—
Solid Core Wood	7	9	11.5
Aluminum/Glass Storefront	3.5	4	—
Bullet Resistant	20	21	
MDF	7	9	11.5
	GLASS THICKNESS		
TEMPERED GLASS	3/8"	1/2"	3/4"
	5	7	9.75
	LEAD THICKNESS		
LEAD LINING (add to door material weight)	1/16"	1/8"	1/4"
	5	8	9.75
	CLADDING MATERIAL		
3/4" CLADDING (add to door material weight)	Wood	Stone	Bronze
	3	10.5	28

**Example: 3/0 X 7/0 X 1-3/4" WD X 1/4" Lead lining**  
Door: 21sq ft x 7lb./sq ft = 147lbs  
Lead Lining: 21sq ft x 9.75lb./sq ft = 204.75lbs  
Total Door weight 351.75lbs

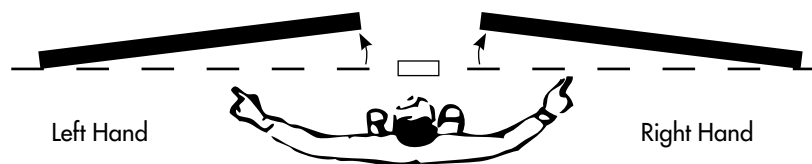
**Example: 3/6 X 8/0 X 1/2" Tempered Glass Door**  
Door: 28sq ft x 7lb./sq ft = 196lbs

For doors of other sizes consult factory

### 3. EXPECTED FREQUENCY OF DOOR OPENING

Application	Daily	Yearly	
Large department store entrance	5,000	1,500,000	High
Large office building entrance	4,000	1,200,000	
Theater entrance	1,000	365,000	
School entrance	1,250	225,000	
School restroom door	1,250	225,000	
Store or bank entrance	500	150,000	
Office building restroom door	400	118,000	
School corridor door	80	15,000	Average
Office building corridor door	75	22,000	
Store restroom door	60	18,000	
Residential entrance door	40	15,000	
Residential restroom door	25	9,000	Low
Residential hallway door	10	3,600	
Residential closet door	6	2,200	

#### How to Determine Hand of Door



Face a door swinging open away from you. If it opens to the right, it is right handed. If it opens to the left, it is left handed.

**Sealed Closer – Prefix SC**

This option for exterior doors or interior doors, with heavy exposure to water or cleaning solvents, protects the body. The closer body is placed in the cement case. A stainless steel cover plate is then gasketed and fastened to the cement case. This must be ordered with closer and cannot be ordered less the cement case.

**Delayed Action – Prefix DA**

After full open, permits door to remain ajar (at 70 degrees) for up to 40 seconds. Operates by separate valve and can be shut off if not needed. Not available on closers with hold open feature.

**Physically Handicapped – Prefix PH** 


To comply with ICC/ANSI A117.1 established by the Americans with Disabilities Act. PH prefix indicates 5 pounds of opening force, based at 30" from centerline of pivot. PH closers may not be used on labeled fire doors or exterior doors. Rixson accepts no responsibility for PH closers and door latching. Also, be advised that ADA guidelines DO NOT apply to fire rated openings or exterior doors.

**Wood Door – Prefix W**

When using a center hung product with the centering arm (e.g. 28, 30 or 40) a special plate and less obtrusive adjusting screws are needed for wood doors. This plate is reinforcement to the deep mortise required for that arm, protecting veneer.

**Fire Rated – Prefix F** 

Closer packages for fire rated doors (up to 3 hours) include a steel top pivot and must have additional steel intermediate pivots. These closers are non-hold open.

**Twenty Minute Label – Suffix -20** 

This UL rating is for 20 minute doors. Pivots are brass base material and include a visible label.

**8-1/2 Lbs. Opening Force – Prefix PH Suffix 8-1/2**

This is a lighter than normal opening force. Be aware that this may not be strong enough to close fire rated or exterior doors. Rixson accepts no responsibility for PH closers and door latching. Also, be advised that ADA guidelines DO NOT apply to fire rated openings or exterior doors.

**Less All Parts – Suffix LAP**

If a closer is needed for replacement, the arm, cover, cement case, top pivot and floor plate are omitted.

**Less Floor Plate – Suffix LFP**

When thresholds or cover pans are being used, the closer doesn't need the decorative floor plate.

**Less Cement Case – Suffix LCC**

For existing installations or when cement case has been sent earlier in construction. Closer will be packaged without the cement case.

**Less Top Pivot – Suffix LTP**

For unusual head conditions, where the top pivot cannot be used, the closer is shipped without the top pivot. For offset installations, an additional load bearing intermediate (side jamb) M190 pivot is required. All intermediate pivots for that opening should be M190's, not M19's

**Degree of Swing – Follows Model Number**

Single acting heavy-duty floor closers have a deadstop. This means that the door cannot go past a certain point. If ordered as a hold open closer, the hold open position is exactly the same as the deadstop. The degrees available are 85°, 90°, 95° or 105° (180° for model 27 only). It is recommended that the maximum degree of swing be ordered.

Double acting closers have a deadstop at 103° and are available with hold open options at 90° or 100°.

**Non Hold Open – Suffix N**

These closers do not hold the door open. This feature cannot be changed in the field.

**Automatic Hold Open – Suffix A**

These closers hold the door open. This feature cannot be changed in the field. Models 27-180, 30 & 40 only.

**Selective Hold Open – Suffix S**

These closers can be set to hold open or non-hold open. This is done via a screw control on the top of the closer. Available on Models 27 and 28 only.

**Hand- Suffix RH or LH**

All single acting floor closers are handed. All double acting floor closers (30, 40, H40) are non-handed.

### Door Thickness – Suffix 1-3/4, 2, 2-1/4, 2-1/2 or 3

When ordering L product for lead lined doors, the thickness of the door must be given. The purpose of the L product is to have screws spaced so that they straddle the lead in the center of the door. Also used when lead lining is under the skins of the door. Recommended for use on extra heavy or high traffic doors.

### Cold Weather Fluid – Suffix CWF

Cold weather fluid should be specified for exterior doors in consistently cold climates under 32° F for weeks at a time. The hydraulic fluid is of a lower viscosity to prevent sluggish closing. Cannot be used with the delayed action feature.

### Extended Spindle – Suffix Extra Length

Any special floor coverings, or severe door undercuts, will affect the spindle height. In these applications an extended spindle may be required. See product template to determine if an extended spindle is needed. Extended spindles available in 1/2" increments up to 2" longer than standard.

### 1-1/2" Offset – Suffix 1-1/2

Offset is the distance from the face of the door to the pivot point. Extended offsets should not be used unless there is cladding on the face of the door or there is trim to clear on the frame. 1-1/2" offset arms and pivots are for doors with cladding or trim that project 3/4" from the face of the door.

### Cover Pan (Terrazzo) – Suffix Part Number

Closers should always be accessible. They should never be buried beneath flooring materials. A cover pan sits on top of the closer and has the flooring material set in it. This way the sight line for the floor is consistent. Cover pans may require closers with longer spindles. See cover pan template to determine spindle length needed.

### Special Layouts – Suffix SPLO#

Unique installations or specially engineered products are called special layouts. These numbers must be assigned by the technical support department and they must be called out specifically, by their number, when ordered.

## CERTIFICATIONS



All Rixson® heavy-duty floor closers are in compliance with ANSI/BHMA A156.4 Standards. See individual products for sub sections.

## LIMITED WARRANTY

Rixson heavy-duty floor closers models 27/28 and 30/40 are warranted for 10 years against defect. The model 20 closer carries a 2 year warranty. See Rixson Price Book for specific details of the limited warranty.

## SPECIFICATION

Floor closers shall be heavy-duty model 27 (offset) or model 28 (center hung). All closers shall be handed. Choose appropriate functions and strengths to accommodate lead lining, extra high traffic, fire rating, independently hung or quick install models. These closers shall have separate and independent checking valves, to control latch speed, closing speed and adjustable hydraulic backcheck. All single acting closers shall have a built in dead stop feature. All closers shall have one piece spindle assembly. Extra heavy-duty closers shall have minimum of two thrust bearings and one needle bearing. Closers shall not have compression spring.

MODEL 27

**Application**

- Single Acting, Handed
- Exterior or Interior Doors
- Weight to 450 lbs.\*
- Door Width up to 4'0" (1219mm)



ANSI/C06041/C06051

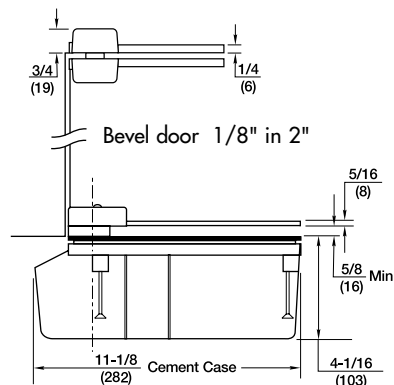
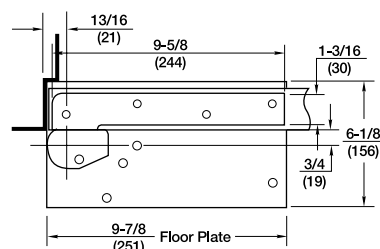
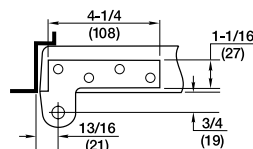
\* Door size & weight guidelines are determined using the appropriate number of intermediate pivots

**Product Description & Features**

- Built-in positive dead stop prevents door from swinging beyond the desired opening degree (specify 85°, 90°, 95°, 105°)
- Separate and independent valves for closing speed, latch speed and backcheck
- Available non-hold open (N) or selective hold open (S) at same degree as dead stop
- Delayed action option-prefix "DA" (Non-hold open closers only)
- Models available to meet ICC/ANSI A117.1 low opening force requirements, prefix "PH". (For 8-1/2 lbs. of opening force prefix PH and suffix 8-1/2 lbs.)
- Cold weather fluid available – specify "CWF" (not available for closers with "DA")
- Sealed closer option – specify "SC"
- Available with floor plate or threshold installation (floor plate shown)
- Available 1-1/2" offset, for doors with 3/4" cladding or frames with applied molding, maximum door weight 250 lbs.
- Cylolac, rust-proof cement case
- Vertical door adjustment
- Standard top pivot: #180 included
- For arch top doors or applications when the 180 top pivot cannot be used, supply at least two each M190 load-bearing intermediate pivots, mounted together at the top of the straight vertical edge
- Intermediate pivot(s) required: M19 (order separately), see page 18
- Doors 60" (1524mm) to 90" (2286mm) in height should use one intermediate pivot. Each additional 30" (762mm) warrants another intermediate pivot
- For fire rated openings (up to 3 hour assemblies) prefix "F". This package will be supplied with a steel top pivot (F180) and a non-hold open closer. Intermediate pivot required: FM19 (order separately), see page 18
- UL listed closers cannot have PH option
- For 20-minute labeled doors suffix "-20" to the part number
- Furnished with wood and machine screws
- Extended spindles available in 1/2" increments up to 2" longer than standard

**Technical Information**

(Frame stop required)





# HEAVY-DUTY FLOOR CLOSERS

## 3/4" OFFSET HUNG

### MODEL 27-180

#### Application

- Single Acting, Handed
- Exterior or Interior Doors
- Weight to 450 lbs.\*
- Door Width up to 4'0" (1219mm)



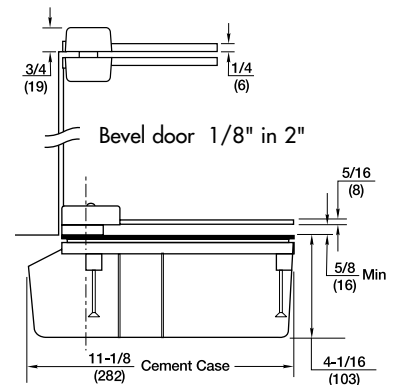
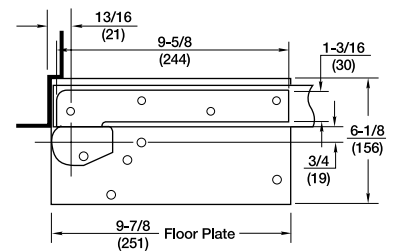
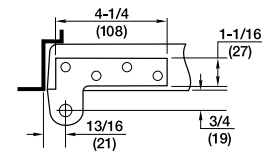
\* Door size & weight guidelines are determined using the appropriate number of intermediate pivots

#### Product Description & Features

- Maximum opening 180°, auxiliary floor or wall stop recommended
- Separate and independent valves for closing speed and latch speed
- Adjustable hydraulic backcheck
- Available non-hold open (N) or automatic hold open (A)
- Not available with delayed action (DA)
- Models available to meet ICC/ANSI A117.1 low opening force requirements, prefix "PH". (For 8-1/2 lbs. of opening force prefix "PH" and suffix "8-1/2 lbs.")
- Cold weather option – specify "CWF"
- Sealed closer option – specify "SC"
- Available with floor plate or threshold installation (floor plate shown)
- Available 1-1/2" offset, for doors with 3/4" cladding or frames with applied molding, maximum door weight 250 lbs.
- Cylolac, rustproof cement case
- Vertical door adjustment
- Standard top pivot: #180 included
- For arch top doors or applications where a 180 top pivot cannot be used, supply at least two each M190 load-bearing intermediate pivots, mounted together at the top of the vertical edge
- Intermediate pivot(s) required: M19 (order separately), see page 18
- Doors 60" (1524mm) to 90" (2286mm) in height should use one intermediate pivot. Each additional 30" (762mm) warrants another intermediate pivot
- For fire rated openings (up to 3 hour assemblies) prefix "F". This package will be supplied with a steel top pivot (F180) and a non-hold open closer. Intermediate pivot required: FM19 (order separately), see page 18
- UL labeled closers cannot have PH option
- For 20-minute labeled doors suffix "-20" to the part number
- Furnished with wood and machine screws
- Extended spindles available in 1/2" increments up to 2" longer than standard

#### Technical Information

(Frame stop required)



MODEL 127

**Application**

- Single Acting, Handed
- Exterior or Interior Doors
- Deep Reveal Applications
- Weight to 250 lbs.\*
- Door Width up to 4'0" (1219mm)



ANSI/C06041/C06051

\* Door size & weight guidelines are determined using the appropriate number of intermediate pivots

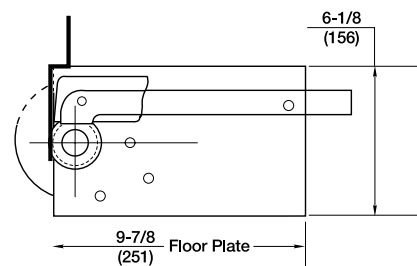
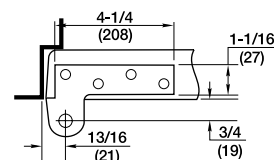
**Product Description & Features**

Recommended for applications where vertical movement of the door at installation is not possible, such as a door inset in a deep reveal or with no ceiling clearance

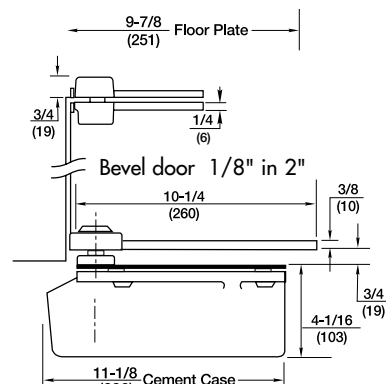
- Closer has a tapered spindle and uses a unique bottom arm to allow door installation
- Built-in positive dead stop prevents door from swinging beyond the desired opening degree (specify 85°, 90°, 95° or 105°)
- Separate and independent valves for closing speed, latch speed and backcheck
- Available non-hold open (N) or selective hold open (S) at same degree as dead stop
- Delayed action option – prefix “DA” (non-hold open closers only)
- Models available to meet ICC/ANSI A117.1 low opening force requirements, prefix “PH”. (For 8-1/2 lbs. of opening force prefix PH and suffix 8-1/2 lbs.)
- Cold weather fluid option – specify “CWF” (not available for closers with “DA”)
- Sealed closer option – specify “SC”
- Available with floor plate or threshold installation (floor plate shown)
- Cylolac, rustproof cement case
- Standard top pivot: #180 included
- For arch top doors or applications where a 180 top pivot cannot be used, supply at least two each M190 load-bearing intermediate pivots, mounted together at the top of the vertical edge. Do not use 119 intermediate pivot.
- Intermediate pivot(s) recommended for non fire rated opening: 119 (order separately), see page 18
- Doors 60" (1524mm) to 90" (2286mm) in height should use one intermediate pivot. Each additional 30" (762mm) warrants another intermediate pivot
- For fire rated openings (up to 3 hour assemblies) prefix “F”. This package will be supplied with a steel top pivot (F180) and a non-hold open closer. Intermediate pivot required: FM19, (order separately), see page 18
- UL labeled closers cannot have PH option
- For 20-minute labeled doors suffix “-20” to the part number
- Extended spindles available in 1/2" increments up to 2" longer than standard

**Technical Information**

(Frame stop required)



For the Top Pivot Outline See Page 9



# HEAVY-DUTY FLOOR CLOSERS

## 3/4" OFFSET HUNG

**RIXSON**  
**ASSA ABLOY**

### MODEL 427

#### Application

- Single Acting, Handed
- Exterior or Interior Doors
- Deep Reveal/Alcove Applications
- Weight to 250 lbs.\*
- Door Width up to 4'0" (1219mm)



ANSI/C06041

\* Door size & weight guidelines are determined using the appropriate number of intermediate pivots

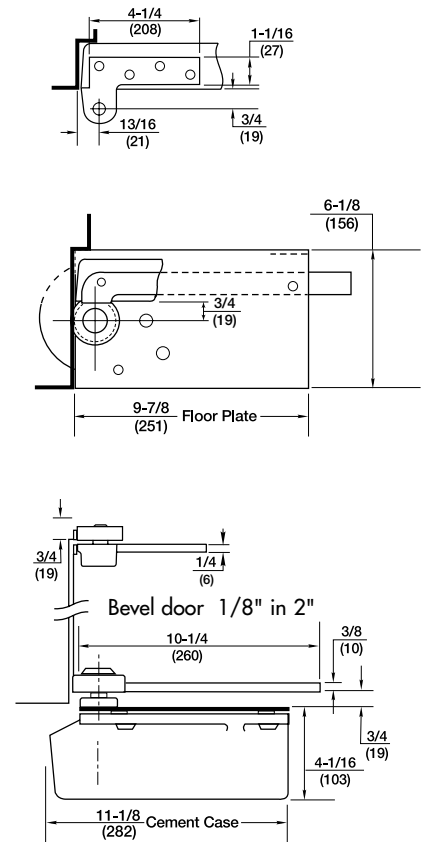
#### Product Description & Features

Recommended for applications where vertical movement of the door at installation is not possible, such as a door inset in an alcove with no ceiling or side jamb clearance

- Closer has a tapered spindle and uses a unique bottom arm
- Built-in positive dead stop prevents door from swinging beyond the desired opening degree (specify 85°, 90°, 95° or 105°) Note: Alcove doors can rarely go beyond 90°
- Separate and independent valves for closing speed, latch speed and backcheck
- Available non-hold open (N) or selective hold open (S) at same degree as dead stop
- Delayed action option – prefix "DA" (non-hold open closers only)
- Models available to meet ICC/ANSI A117.1 low opening force requirements, prefix "PH". (For 8-1/2 lbs. of opening force prefix "PH" and suffix "8-1/2 lbs.")
- Cold weather fluid option – specify "CWF" (not available for closers with "DA")
- Sealed closer option – specify "SC"
- Available with floor plate or threshold installation (floor plate shown)
- Cylolac rustproof cement case
- Standard top pivot: #180 x 102 included
- Intermediate pivot(s) recommended: 119 (order separately), see page 18
- Doors 60" (1524mm) to 90" (2286mm) in height should use one intermediate pivot. Each additional 30" (762mm) warrants another intermediate pivot
- Not available for fire rated openings
- Furnished with wood and machine screws
- Extended spindles available in 1/2" increments up to 2" longer than standard

#### Technical Information

(Frame stop required)



MODEL F327

**Application**

- Single Acting, Handed
- Interior or Exterior Doors
- Door Width up to 4'0" (1219mm)
- For Doors over 250 lbs. Consult Factory
- 1-3/4 doors only



ANSI/C06031

**Product Description & Features**

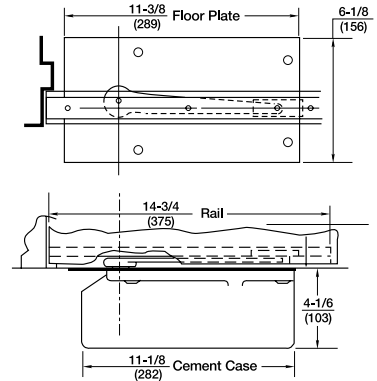
Used as a concealed floor closer for independently hung doors – butt hinges, pocket pivots, or continuous hinges

• Closer does not support weight of door  
**Note: Hanging means must be specified when ordering. Check the product template. If your hanging means are not listed, contact factory for a special layout and pricing**

- 90° maximum door swing
- Auxiliary stop recommended
- Includes closer, mortised rail and arm with slider
- Separate and independent valves for closing speed, latch speed and backcheck
- Not available in "PH", "DA", or Hold Open
- Cold weather fluid "CWF"
- Sealed closer option – specify "SC"
- Floor plate standard. For threshold applications a 1/2" extended spindle is required
- Cylolac rustproof cement case
- This closer carries a UL Listing for 3 hour fire door assemblies. Fire rated hanging means required
- Furnished with wood and machine screws
- Extended spindle available in 1/2" increments up to 2" longer than standard

**Technical Information**

(Frame stop required)



# HEAVY-DUTY FLOOR CLOSERS

## 3/4" OFFSET HUNG

### MODEL L27

#### Application

- Single Acting, Handed
- Exterior or Interior Doors
- Lead-Lined/Heavy/High Traffic Doors
- Weight to 1500 lbs.\*
- Door Width up to 4'0" (1219mm)



ANSI/C06071

\* Door size & weight guidelines are determined using the appropriate number of intermediate pivots

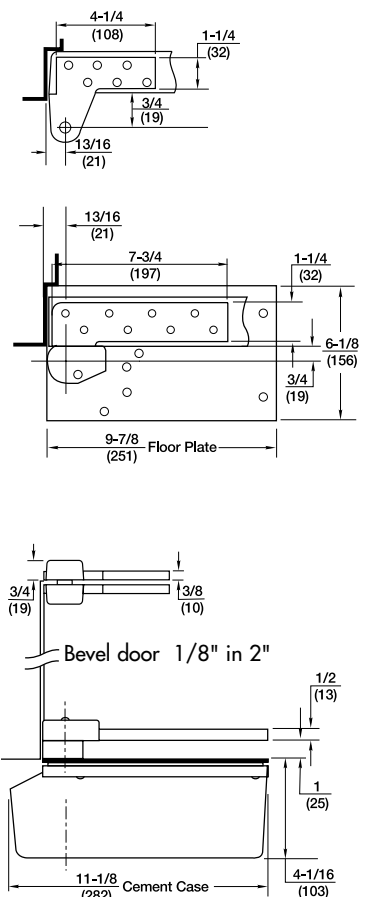
#### Product Description & Features

Heavy-duty bottom arm and top pivot with screw holes spaced to straddle lead lining, or for extra heavy or very high traffic doors.

- Available for the following lead-lined door thicknesses: 1-3/4" (44mm), 2" (51mm), 2-1/4" (57mm), 2-1/2" (63mm) or 3" (76mm)
- Additional thrust bearing for greater load capacity
- Built-in positive dead stop prevents door from swinging beyond the desired opening degree (specify 85°, 90°, 95° or 105°)
- Separate and independent valves for closing speed, latch speed and backcheck
- Available non-hold open (N) or selective hold open (S) at same degree as dead stop
- Delayed action option – prefix "DA" (non-hold open closers only)
- Models available to meet ICC/ANSI A117.1 low opening force requirements, prefix "PH". (For 8-1/2 lbs. of opening force prefix PH and suffix 8-1/2 lbs.)
- Cold weather fluid option – specify "CWF" (not available for closers with "DA")
- Sealed closer option – specify "SC"
- Available with floor plate or threshold installation (floor plate shown)
- For extended offsets, consult factory
- Cast iron cement case
- Vertical door adjustment
- Standard top pivot: L180 included
- For arch top doors or applications where an L180 top pivot cannot be used, supply at least two each ML19-load bearing intermediate pivots, mounted together at the top of the vertical edge
- Intermediate pivot(s) required: ML19 (order separately), see page 19
- Doors 60" (1524mm) to 90" (2286mm) in height should use one intermediate pivot. Each additional 30" (762mm) warrants another intermediate pivot
- For fire rated openings (up to 3 hour assemblies) prefix "F". This package will be supplied with steel top pivot (FL180) and non-hold open closer. Furnish intermediate pivot FML19, order separately, see page 19. Note: UL listing for 1-3/4" thick doors only.
- UL labeled closers cannot have PH option
- For 20-minute labeled doors suffix "-20" to the part number
- Furnished with wood and machine screws
- Extended spindles available in 1/2" increments up to 2" longer than standard

#### Technical Information

(Frame stop required)



MODEL L27-180

**Application**

- Single Acting, Handed
- Exterior or Interior Doors
- Lead-Lined/Heavy/High Traffic Doors
- Weight to 1500 lbs.\*
- Door Width up to 4'0" (1219mm)



ANSI/C06071

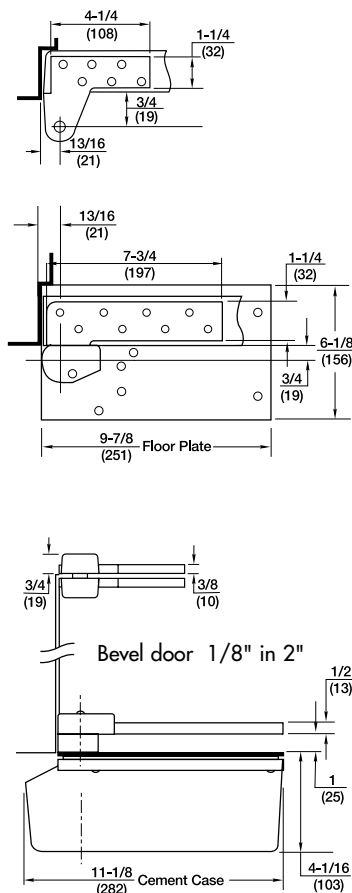
**Product Description & Features**

Heavy-duty bottom arm and top pivot with screw holes spaced to straddle lead lining, or for extra heavy or very high traffic doors.

- Available for the following lead-lined door thicknesses: 1-3/4" (44mm), 2" (51mm), 2-1/4" (57mm), 2-1/2" (63mm) or 3" (76mm)
- Additional thrust bearing for greater load capacity
- Built-in positive dead stop prevents door from swinging beyond 180° only
- Separate and independent valves for closing speed, latch speed and backcheck
- Available non-hold open (N) or automatic hold open (A) at 180°
- Delayed action option – prefix "DA" (non-hold open closers only)
- Models available to meet ICC/ANSI A117.1 low opening force requirements, prefix "PH". (For 8-1/2 lbs. of opening force prefix PH and suffix 8-1/2 lbs.)
- Cold weather fluid option – specify "CWF" (not available for closers with "DA")
- Sealed closer option – specify "SC"
- Available with floor plate or threshold installation (floor plate shown)
- For extended offsets, consult factory
- Cast iron cement case
- Vertical door adjustment
- Standard top pivot: L180 included
- For arch top doors or applications where a L180 top pivot cannot be used, supply at least two each ML19 load bearing intermediate pivots, mounted together at the top of the vertical edge
- Intermediate pivot(s) required: ML19 (order separately), see page 19
- Doors 60" (1524mm) to 90" (2286mm) in height should use one intermediate pivot. Each additional 30" (762mm) warrants another intermediate pivot
- For fire rated openings (up to 3 hour assemblies) prefix "F". This package will be supplied with steel top pivot (FL180) and non-hold open closer. Furnish intermediate pivot FML19, order separately, see page 19. Note: UL listing for 1-3/4" thick doors only.
- UL labeled closers cannot have PH option
- For 20-minute labeled doors suffix "-20" to the part number
- Furnished with wood and machine screws
- Extended spindles available in 1/2" increments up to 2" longer than standard

**Technical Information**

(Frame stop required)



# HEAVY-DUTY FLOOR CLOSERS

## 3/4" OFFSET HUNG

**RIXSON®**  
**ASSA ABLOY**

MODEL Q27/QT27

### Application

- Single Acting, Handed
- Exterior and Interior Doors
- Weight to 350 lbs.\*
- Door Width up to 4'0" (1219mm)
- 1-3/4" Thick Only



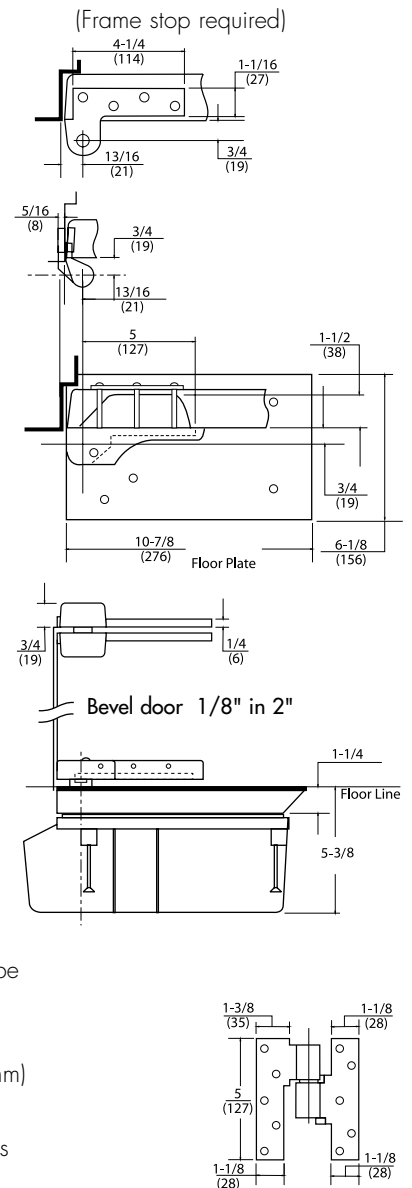
ANSI/C06041/C06051

### Product Description & Features

Surface-attached bottom arm allows closer removal without demounting door

- Q closers have a floor plate (shown).
- For threshold application prefix "QT"
- 3/4" offset only
- Built-in positive dead stop prevents door from swinging beyond the desired opening degree (specify 85°, 90°, 95°)
- Mortise arm with thru-bolt attachment
- Increased depth of cement case for easy closer removal
- Separate and independent valves for closing speed, latch speed and backcheck
- Available non-hold open (N) or selective hold open (S) at same degree as dead stop
- Delayed action option – prefix "DA" (non-hold open closers only)
- Models available to meet ICC/ANSI A117.1 low opening force requirements, prefix "PH". (For 8-1/2 lbs. of opening force prefix "PH" and suffix "8-1/2 lbs.")
- Cold weather fluid option – specify "CWF" (not available for closers with "DA")
- Cylolac rustproof cement case
- Vertical door adjustment
- Standard top pivot: #180 included
- For arch top doors, consult factory
- One M19 intermediate pivot included. Note: Closer cannot be ordered without the intermediate pivot
- Doors 60" (1524mm) to 90" (2286mm) in height should use one intermediate pivot (included). Each additional 30" (762mm) or doors over 195 lbs. warrants another intermediate pivot
- For fire rated openings (up to 3 hour assemblies) prefix F. This package will be supplied with steel top pivot (F180), one intermediate pivot (FM19), and a non-hold open closer
- UL labeled closers cannot have PH option
- For 20-minute labeled doors suffix "-20" to the part number
- Furnished with wood and machine screws
- Extended spindles available in 1/2" increments up to 2" longer than standard
- Maximum door swing 95°

### Technical Information



MODEL HM27

**Application**

- Single Acting, Handed
- Exterior or Interior Doors
- 1-3/4" Hollow Metal Doors/Frames
- Weight to 250 lbs.
- Door Width up to 4'0" (1219mm)



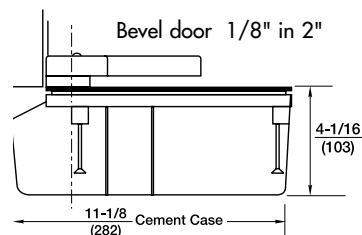
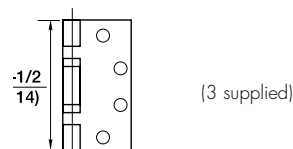
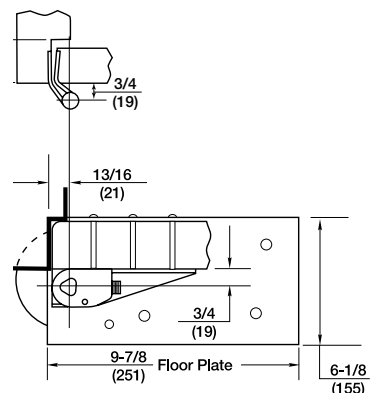
**Product Description & Features**

Designed for stock hollow metal doors and frames with standard weight 4-1/2" hinge preparation

- Includes three special steel 4-1/2" ball bearing standard weight hinges with 3/4" offset. Doors over 90" in height warrant an additional hinge
- Surface mounted bottom arm with thru-bolts
- Built-in positive dead stop prevents door from swinging beyond the desired opening degree (85°, 90°, 95°)
- Maximum door swing 95°
- Separate and independent valves for closing speed, latch speed and backcheck
- Available non-hold open (N) or selective hold open (S) at same degree as dead stop
- Delayed action option – prefix "DA" (non-hold open closers only)
- Models available to meet ICC/ANSI A117.1 low opening force requirements, prefix "PH". (For 8-1/2 lbs. of opening force prefix "PH" and suffix "8-1/2 lbs.")
- Cold weather fluid option – specify "CWF" (not available for closers with "DA")
- Sealed closer option – specify "SC"
- Available with floor plate or threshold installation (floor plate shown)
- Cylolac rustproof cement case
- For fire rated opening (up to 3 hour assemblies) prefix "F". This package will be supplied with 3 steel hinges and a non-hold open closer
- UL labeled closers cannot have PH option
- Furnished with 1/2" wood and full machine screws
- Extended spindles available in 1/2" increments up to 2" longer than standard

**Technical Information**

(Frame stop required)



ANSI/C06041/C06051



# HEAVY-DUTY FLOOR CLOSERS

## 3/4" OFFSET HUNG

### MODEL 20

#### Application

- Single Acting, Handed
- Interior Doors
- Weight to 200 lbs.\*
- Door Width up to 3'0"



ANSI/C06042/C06052

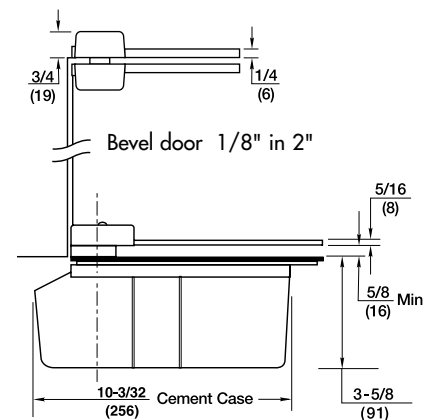
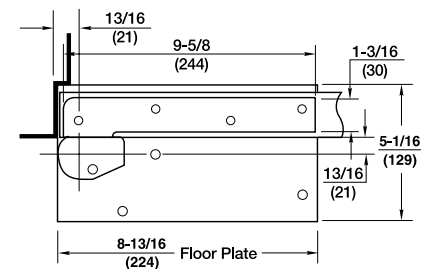
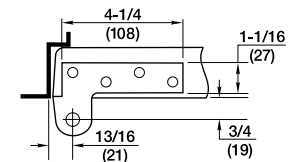
\* Door size & weight guidelines are determined using the appropriate number of intermediate pivots

#### Product Description & Features

- Allows 180° door swing (trim permitting)
- Single valve adjustable closing speed 70° to 0°
- Built-in hydraulic backcheck cushions opening from 140° to 180°
- Available non-hold open only
- Delayed action not available
- Models available to meet ICC/ANSI A117.1 low opening force requirements, prefix "PH". (For 8-1/2 lbs. of opening force prefix "PH" and suffix "8-1/2 lbs.")
- Available with floor plate or threshold installation (floor plate shown)
- Cast iron cement case
- Vertical door adjustment
- Standard top pivot: #180 included
- Intermediate pivot(s) recommended: M19 (order separately), see page 18
- Doors 60" (1524mm) to 90" (2286mm) in height should use one intermediate pivot. Each additional 30" (762mm) warrants another intermediate pivot
- For fire rated openings (up to 3 hour assemblies prefix F. This package will be supplied with a steel top pivot (F180) and non hold open closer. Intermediate pivot required; FM19 (order separately). See page 18
- UL labeled closers cannot have PH option
- For 20-minute labeled doors suffix -20 to the part number
- Furnished with wood and machine screws
- Extended spindles available in 1/2" increments up to 2" longer than standard

#### Technical Information

(Frame stop required)



MODEL 119

**Application**

- Full Mortise
- Handed

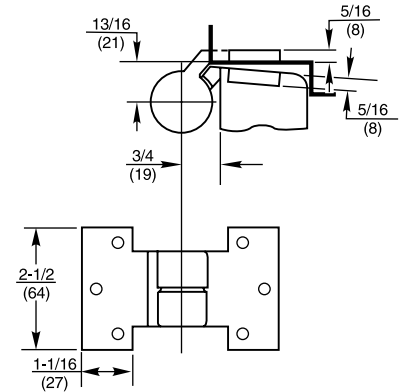


ANSI/C07382

**Product Description & Features**

- Not load-bearing
- Maintains door alignment
- Available 3/4" offset only
- Non-ferrous base material
- Recommended for use with Model 127 and 427 Floor Closers
- Bevel door 1/8" in 2"
- Furnished with wood and machine screws

**Technical Information**



MODEL M19/M190

**Application**

- Full Mortise
- Handed

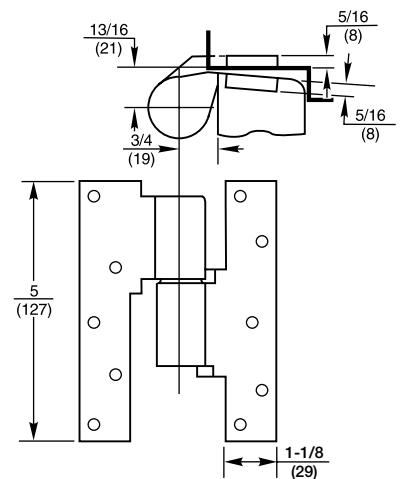


ANSI/C07321/C07371

**Product Description & Features**

- M19, bushing, not load-bearing
- M190, bearing, load-bearing
- Maintains door alignment
- Aids in installing floor closers and bottom pivots
- Non-ferrous base material 3/4" offset standard
- Available 1-1/2 (38mm) offset for 3/4" cladding
- Available for fire door assemblies (ferrous material) specify FM19 or FM190
- On labeled for fire doors NFPA80 requires an intermediate pivot for every additional 30" (762mm) of door height over 60" (1542mm)
- For 20-minute label suffix "-20" to the part number
- Bevel door 1/8" in 2"
- For arch top doors or applications where a 180 top pivot cannot be used, supply at least two each M190 load bearing intermediate pivots, mounted together at the top of the vertical edge with a bottom pivot or floor closer
- Furnished with wood and machine screws

**Technical Information**



## MODEL ML19

### Application

- Heavy-Duty Full Mortise
- Handed



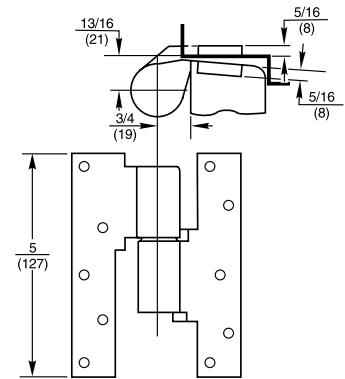
ANSI/C07311

### Product Description & Features

Screw holes spaced to straddle lead lining in center of door. Use on extra heavy or high traffic doors.

- Maintains door alignment
- Aids in installing floor closers and bottom pivot
- Available to accommodate door thicknesses 1-3/4" (44mm), 2" (51mm), 2-1/4" (57mm), 2-1/2" (64mm), or 3" (76mm) – specify thickness when ordering
- Load-bearing
- Non-ferrous base material
- 3/4" offset, for extended offsets consult factory
- Available for fire door assemblies – 1-3/4" (44mm) door only – specify FML19
- On labeled fire door assemblies, NFPA80 requires an intermediate pivot for every additional 30" (762mm) of door height over 60" (1524mm)
- For 20-minute label suffix "-20" to part number
- Bevel door 1/8" in 2"
- For arch top doors or applications where a 180 top pivot cannot be used, supply at least two each ML19 load bearing intermediate pivots, mounted together at the top of the vertical edge with a bottom pivot or floor closer
- Furnished with wood and machine screws

### Technical Information



## MODEL FA19

### Application

- Full Mortise
- Handed



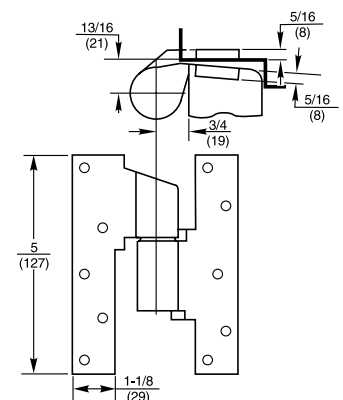
ANSI/C07361

### Product Description & Features

Optional intermediate pivot for institutional use or installations where flat surfaces are objectionable

- Maintains door alignment
- Aids in installing bottom pivots
- Not load bearing
- 3/4" (19mm) offset
- May be used with fire door assemblies
- Ferrous base material
- Doors up to 90" (2286mm) in height should use one intermediate pivot. Each additional 30" (762mm) warrants another intermediate pivot
- Bevel door 1/8" in 2"
- Furnished with wood and machine Torx® screws

### Technical Information



MODEL 28 X 554 ARM

**Application**

- Single Acting, Handed
- Exterior or Interior Doors
- Weight to 350 lbs.
- Concealed Arm
- Sizes up to 4'0" x 8'6"\* (1219 x 2591mm)



ANSI/C06021

\* For doors taller than 8'6" use top pivot # 345 in lieu of 340

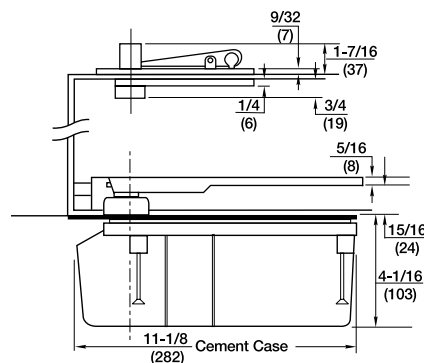
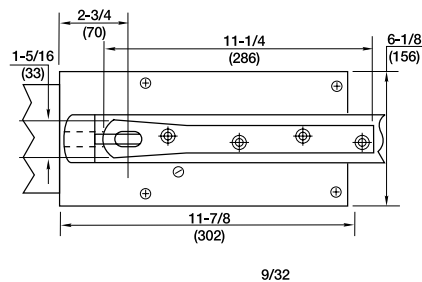
**Product Description & Features**

Concealed arm is designed to eliminate visible adjusting screws on face of door

- Arm bolt locks arm to closer spindle – adjustments made through heel of door
- Built-in positive dead stop prevents door from swinging beyond the desired opening degree (specify 85°, 90°, 95° or 105°)
- Separate and independent valves for closing speed, latch speed and backcheck
- Available non-hold open (N) or selective hold open (S) at same degree as dead stop
- Delayed action option – prefix "DA" (non-hold open closers only)
- Models available to meet ICC/ANSI A117.1 low opening force requirements, prefix "PH". (For 8-1/2 lbs. of opening force prefix "PH" and suffix 8-1/2 lbs.)
- Cold weather fluid option – specify "CWF" (not available for closers with "DA")
- Sealed closer option – specify "SC"
- Available with floor plate or threshold installation (floor plate shown)
- Cyclocac, rustproof cement case
- Standard top pivot: #340 included
- Not allowed for fire rated doors
- Frame stop required on the header at the lock side. If not supplied by frame manufacturer, recommend use of 60131 (see Door Control Accessories page 8).
- Furnished with wood and machine screws
- Extended spindles available in 1/2" increments up to 2" longer than standard

**Technical Information**

(Frame stop required at lock edge)



Pivot edge of door must be radiused.

# HEAVY-DUTY FLOOR CLOSERS CENTER HUNG SINGLE ACTING

**RIXSON®**  
**ASSA ABLOY**

## MODEL 28

### Application

- Single Acting, Handed
- Exterior or Interior Doors
- Weight to 350 lbs.
- Centering Arm
- Sizes up to 4'0" x 8'6"\* (1219 x 2591mm)



ANSI/C06021

\* For doors taller than 8'6"  
use top pivot # 345 in lieu  
of 340

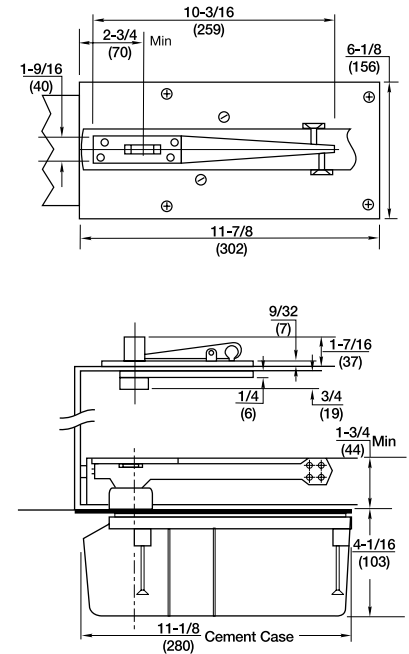
### Product Description & Features

Centering arm with adjusting screws in face of door

- Built-in positive dead stop prevents door from swinging beyond the desired opening degree (specify 85°, 90°, 95° or 105°)
- Separate and independent valves for closing speed, latch speed and backcheck
- Available non-hold open (N) or selective hold open (S) at same degree as dead stop
- Delayed action option – prefix "DA" (non-hold open closers only)
- Models available to meet ICC/ANSI A117.1 low opening force requirements, prefix "PH". (For 8-1/2 lbs. of opening force prefix "PH" and suffix 8-1/2 lbs.)
- Cold weather fluid option – specify "CWF" (not available for closers with "DA")
- Sealed closer option – specify "SC"
- Available with floor plate or threshold installation (floor plate shown)
- Arm reinforcement bracket for wood doors - prefix W
- Cylolac, rustproof cement case
- Standard top pivot: #340 included
- Not allowed for fire rated doors
- Frame stop required on the header at the lock side. If not supplied by frame manufacturer, recommend use of 60131 (see Door Control Accessories page 8).
- Furnished with wood and machine screws
- Extended spindles available in 1/2" increments up to 2" longer than standard

### Technical Information

(Frame stop required at lock edge)



Pivot edge of door  
must be radiused.

MODEL H28

**Application**

- Single Acting, Handed
- Exterior or Interior Doors
- Extra Heavy High Traffic Doors
- Weight to 1000 lbs.
- Sizes up to 4'0" x 8'6"\*  
(1219 x 2591mm)



ANSI/CO6061

\* For doors taller than 8'6"  
use top pivot #H345 in lieu  
of H340

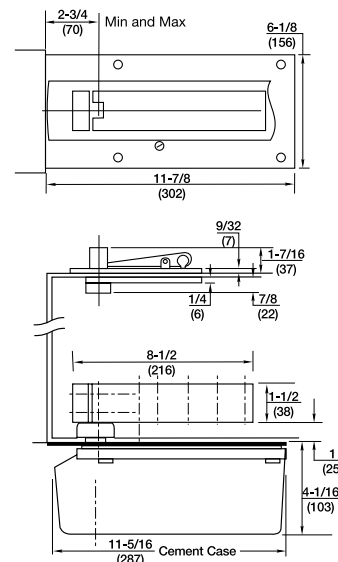
**Product Description & Features**

For high traffic or extra heavy doors (2" min. thickness)

- Additional thrust bearing for greater load capacity
- Built-in positive dead stop prevents door from swinging beyond the desired opening degree (specify 85, 90, 95 or 105°)
- Separate and independent valves for closing speed, latch speed and backcheck
- Available non-hold open (N) or selective hold open (S) at same degree as dead stop
- Delayed action option – prefix "DA" (non-hold open closers only)
- Models available to meet ICC/ANSI A117.1 low opening force requirements, prefix "PH". (For 8-1/2 lbs. of opening force prefix "PH" and suffix "8-1/2 lbs.")
- Cold weather fluid option – specify "CWF" (not available for closers with "DA")
- Sealed closer option – specify "SC"
- Available with floor plate or threshold installation (floor plate shown)
- Cast iron cement case
- Standard top pivot: H340 included
- Not allowed for fire rated doors
- Frame stop required at header on lock side. If not supplied by frame manufacturer, recommend use of 60131 (see Door Control Accessories page 8).
- Furnished with wood and machine screws
- Extended spindles available in 1/2" increments up to 2" longer than standard

**Technical Information**

(Frame stop required at lock edge)



Pivot edge of door  
must be radiused.

MODEL H28 X 587 ARM

**Application**

- Side Load Arm

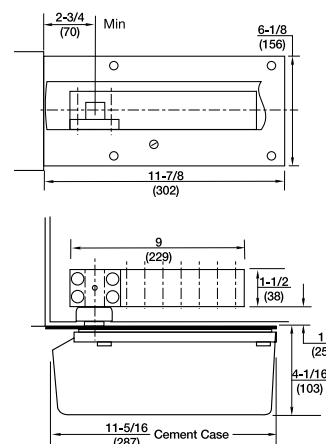


**Product Description & Features**

Identical to Model H28 except:

- Special side load arm for 1-3/4" thick doors
- Allows pivot point to be moved away from pivot edge of door – minimum 2-3/4" backset

**Technical Information**



# HEAVY-DUTY FLOOR CLOSERS CENTER HUNG SINGLE ACTING

**RIXSON**  
**ASSA ABLOY**

## MODEL 328

### Application

- Single Acting, Handed
- Exterior or Interior Doors
- Glass Doors with Patch Fittings
- Weight up to 325 lbs.
- Size Up to 3'2" x 8'0"

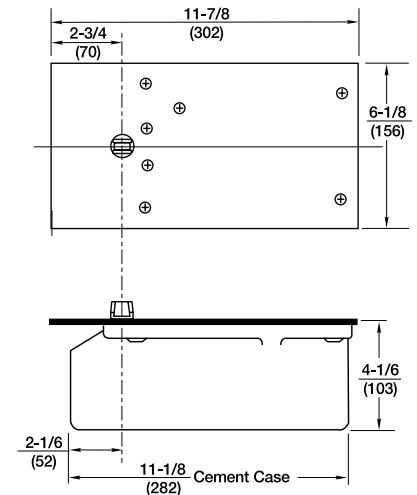


### Product Description & Features

- No arm or top pivot provided
- Patch fittings by others. Rixson will provide spindle configuration to fit – provide details when ordering
- Built-in positive dead stop prevents door from swinging beyond the desired opening degree (specify 85°, 90°, 95° or 105°)
- Separate and independent valves for closing speed, latch speed and backcheck
- Available non-hold open (N) or selective hold open (S) at same degree as dead stop
- Delayed action option – prefix "DA" (non-hold open closers only)
- Models available to meet ICC/ANSI A117.1 low opening force requirements, prefix "PH". (For 8-1/2 lbs. of opening force prefix "PH" and suffix "8-1/2 lbs.")
- Cold weather fluid option – specify "CWF" (not available for closers with "DA")
- Sealed closer option – specify "SC"
- Floor plate standard. For threshold application an extended spindle is required
- Cylolac, rustproof cement case
- Not allowed for fire rated doors
- Frame stop required at header on lock side. If not supplied by frame manufacturer, recommend use of 60131 (see Door Control Accessories page 8).
- For extended spindles, contact the factory

### Technical Information

(Frame stop required at lock edge)



MODEL 428 (WITH PATCH FITTINGS)

**Application**

- Single Acting, Handed
- Exterior or Interior Doors
- Full Glass Doors
- Weight up to 325 lbs.
- Size Up to 3'2" x 8'0"

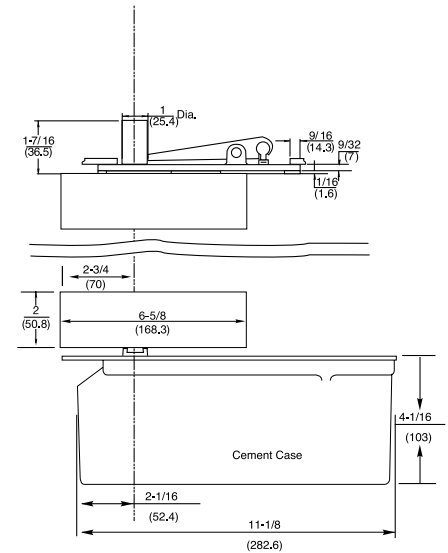


**Product Description & Features**

- Top and bottom patch fittings for tempered glass doors 3/8" - 1/2" thick
- Built-in positive dead stop prevents door from swinging beyond the desired opening degree (specify 85°, 90°, 95° or 105°)
- Separate and independent valves for closing speed, latch speed and backcheck
- Available non-hold open (N) or selective hold open (S) at same degree as dead stop
- Delayed action available – prefix "DA" (non-hold open closer only)
- Models available to meet ICC/ANSI A117.1 low opening force requirements, prefix "PH". (For 8-1/2 lbs. of opening force prefix "PH" and suffix "8-1/2 lbs.")
- Cold weather fluid option – specify "CWF" (not available for closers with "DA")
- Sealed closer option – specify "SC"
- Floor plate standard. For threshold application an extended spindle is required (floor plate shown)
- For extended spindles, contact the factory. No vertical adjustment
- Cylolac, rustproof cement case
- Frame stop required at header on lock side
- 605, 629 and 630 finishes only

**Technical Information**

(Frame stop required at lock edge)





# HEAVY-DUTY FLOOR CLOSERS CENTER HUNG SINGLE ACTING

**RIXSON®**  
**ASSA ABLOY**

## MODEL EH28

### Application

- Single Acting, Handed
- Interior or Exterior Doors
- Floor Closer for Power Transfer
- Weight to 500 lbs.
- Sizes up to 4'0" x 8'6" \*  
(1219 x 2591mm)



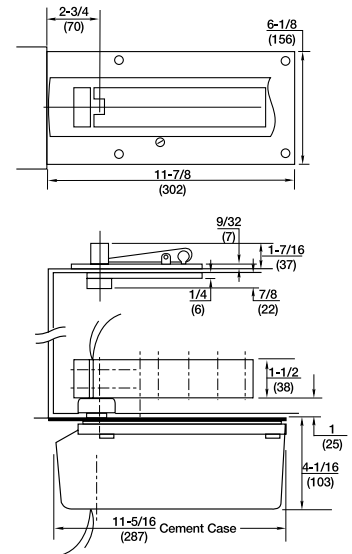
\* For doors taller than 8'6" use top pivot H345 in lieu of H340

### Product Description & Features

- Provides power transfer through closer spindle. Low voltage, Class II wiring (2 wire, 18 gauge only)
- 2" min. door thickness
- Additional thrust bearing for greater load capacity
- Built-in positive dead stop prevents door from swinging beyond the desired opening degree (specify 85°, 90°, 95° or 105°)
- Separate and independent valves for closing speed, latch speed and backcheck
- Available non-hold open (N) or selective hold open (S) at same degree as dead stop
- Delayed action option – prefix "DA"
- Models available to meet ICC/ANSI A117.1 low opening force requirements, prefix "PH". (For 8-1/2 lbs. of opening force prefix "PH" and suffix "8-1/2 lbs.")
- Cold weather fluid option – specify "CWF" (not available for closers with "DA")
- Sealed closer option – specify "SC"
- Available with floor plate or threshold installation (floor plate shown)
- Cast iron cement case
- Standard top pivot: H340 included
- Not allowed for fire rated doors
- Frame stop required on header on lock side. If not supplied by frame manufacturer, recommend use of 60131 (see Door Control Accessories page 8)
- Furnished with wood and machine screws
- Extended spindles available in 1/2" increments up to 2" longer than standard

### Technical Information

(Frame stop required at lock edge)



Not available with Electrolynx®

Pivot edge of door must be radiused.

## MODEL EH28 X 587 ARM

### Application

- Side Load Arm
- Single Acting, Handed
- Interior or Exterior Doors
- Floor Closer for Power Transfer
- Weight to 500 lbs.
- Sizes up to 4'0" x 8'6" \*  
(1219 x 2591mm)\*

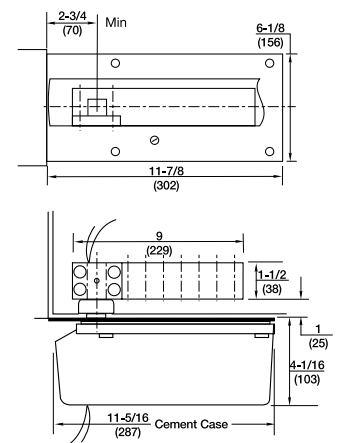


### Product Description & Features

Identical to Model EH28 except:

- Special side load arm for 1-3/4" thick doors
- Allows pivot point to be moved away from pivot edge of door – minimum 2-3/4" backset

### Technical Information



MODEL 30

**Application**

- Double Acting, Non-handed
- Interior or Exterior<sup>^</sup> Doors
- Weight to 200 lbs.
- Sizes up to 4'0" x 8'6"\*



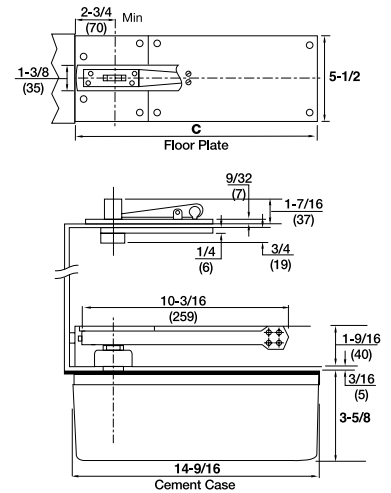
ANSI/C06012

- \* For doors taller than 8'6" use top pivot # 345 in lieu of 340
- <sup>^</sup> Primary means of egress should not use double-acting closers

**Product Description & Features**

- Centering arm with adjustment screws in faces of door (critical for double acting doors)
- Adjustable closing speed valves for each direction of door swing
- Mechanism returns door to center
- Available non-hold open (N) or automatic hold open (A) at 90° (requires 93° swing) or 100° (requires 103° swing)
- Not available in Delayed Action (DA)
- Maximum door opening 103°
- Auxiliary door stop required, overhead or floor type
- Cold weather fluid option – specify "CWF"
- Sealed closer option – specify "SC"
- Available with floor plate or threshold installation (floor plate shown)
- Steel cement case
- Arm reinforcement bracket for wood doors – prefix "W"
- Standard top pivot: #340 included
- Not allowed for fire rated doors
- Furnished with wood and machine screws
- Extended spindles available in 1/2" increments up to 2" longer than standard

**Technical Information**



Pivot edge of door must be radiused.

MODEL 40

**Application**

- Double Acting, Non-handed
- Interior or Exterior<sup>^</sup> Doors
- Weight to 300 lbs.
- Sizes up to 4'0" x 8'6"\*
- (1219 x 2591 mm)



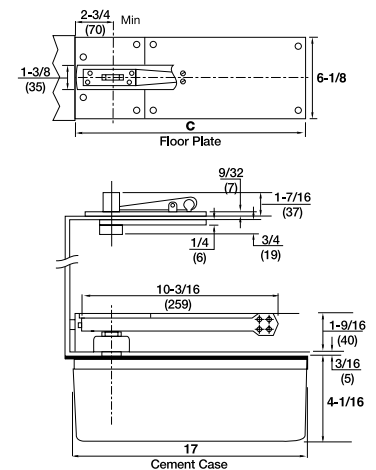
ANSI/C06012

- \* For doors taller than 8'6" use top pivot # 345 in lieu of 340
- <sup>^</sup> Primary means of egress should not use double-acting closers

**Product Description & Features**

- Centering arm with adjustment screws in faces of door (critical for double acting doors)
- Adjustable closing speed valves for each direction of door swing
- Mechanism returns door to center
- Available non-hold open (N) or automatic hold open (A) at 90° (requires 93° swing) or 100° (requires 103° swing)
- Not available in Delayed Action (DA)
- Maximum door opening 103°
- Auxiliary door stop required, overhead or floor type
- Models available to meet ICC/ANSI A117.1 low opening force requirements, prefix "PH". (For 8-1/2 lbs. of opening force prefix PH and suffix 8-1/2 lbs.)
- Cold weather fluid option – specify "CWF"
- Sealed closer option – specify "SC"
- Available with floor plate or threshold installation (floor plate shown)
- Steel cement case
- Arm reinforcement bracket for wood doors – prefix "W"
- Standard top pivot: #340 included
- Not allowed for fire rated doors
- Furnished with wood and machine screws
- Extended spindles available in 1/2" increments up to 2" longer than standard

**Technical Information**



Pivot edge of door must be radiused.

# HEAVY-DUTY FLOOR CLOSERS CENTER HUNG DOUBLE ACTING

## MODEL H40

### Application

- Double Acting, Non-handed
- Interior or Exterior<sup>^</sup> Doors
- Weight to 1000 lbs.
- Sizes up to 4'0" x 8'6"\*  
(1219 x 2591mm)



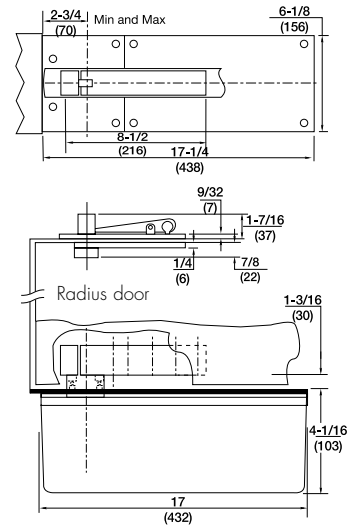
ANSI/C06012

\* For doors taller than 8'6" use to pivot H345 in lieu of H340  
<sup>^</sup> Primary means of egress should not use double-acting closers

### Product Description & Features

- For thick, extra heavy doors (2" min. thickness)
- Thrust bearing for greater load capacity
- Adjustable closing speed valves for each direction of door swing
- Mechanism returns door to center
- Available non-hold open (N) or automatic hold open (A) at 90° (requires 93° swing) or 100° (requires 103° swing)
- Maximum door opening 103°
- Auxiliary door stop required, overhead or floor type
- Models available to meet ICC/ANSI A117.1 low opening force requirements, prefix "PH". (For 8-1/2 lbs. of opening force prefix PH and suffix 8-1/2 lbs.)
- Cold weather fluid option – specify "CWF"
- Sealed closer option – specify "SC"
- Available with floor plate or threshold installation (floor plate shown)
- Steel cement case
- This arm does not allow door centering adjustment.  
Not recommended for pairs of doors
- Standard top pivot: #H340 included
- Not allowed for fire rated doors
- Furnished with wood and machine screws
- Extended spindles available in 1/2" increments up to 2" longer than standard

### Technical Information



Pivot edge of door must be radiused.

## MODEL H40 X 587 ARM

### Application

- Side Load Arm



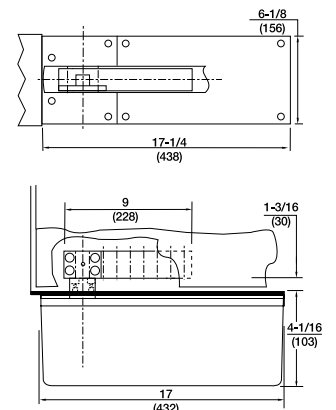
ANSI/C06012

### Product Description & Features

Identical to Model H40 except:

- Special side load arm for 1-3/4" thick doors
- Allows pivot point to be moved away from pivot edge of door. Minimum 2-3/4" backset

### Technical Information



345 TOP PIVOT

**Application**

- Fully Concealed
- Center Hung
- Non-handed
- Earthquake Tolerant
- Taller Doors



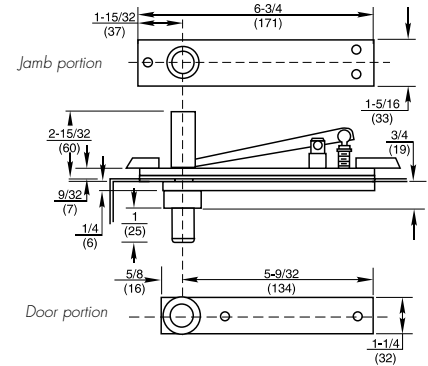
ANSI/C07021

**Product Description & Features**

Ideal for locations where dramatic building settling is possible. Also, for doors over 8'6" in height

- Long pivot pin engages in top of door 1-3/4" (44mm).
- Can be used with any center hung floor closer. Order the floor closer LTP (less top pivot) and the 345 top pivot separately
- Walking beam-type pivot – 1/2" (13mm) diameter pivot pin
- Oil impregnated sintered bronze bearing
- Completely concealed when door is closed
- Furnished with wood and machine screws

**Technical Information**



H345 TOP PIVOT

**Application**

- Fully Concealed
- Center Hung
- Non-handed
- Earthquake Tolerant
- Taller Doors



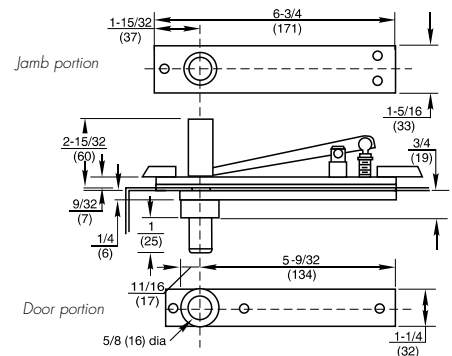
ANSI/C07011

**Product Description & Features**

Ideal for locations where dramatic building settling is possible or for doors over 8'6" in height

- Long pivot pin engages in top of door 1-3/4" (44mm)
- Can be used with heavy-duty (H) center hung floor closer. Order the floor closer LTP (less top pivot) and the H345 top pivot separately
- Walking beam-type pivot – 11/16" (18mm) diameter pivot pin
- Heavy-duty needle bearing
- Completely concealed when door is closed
- Furnished with wood and machine screws

**Technical Information**



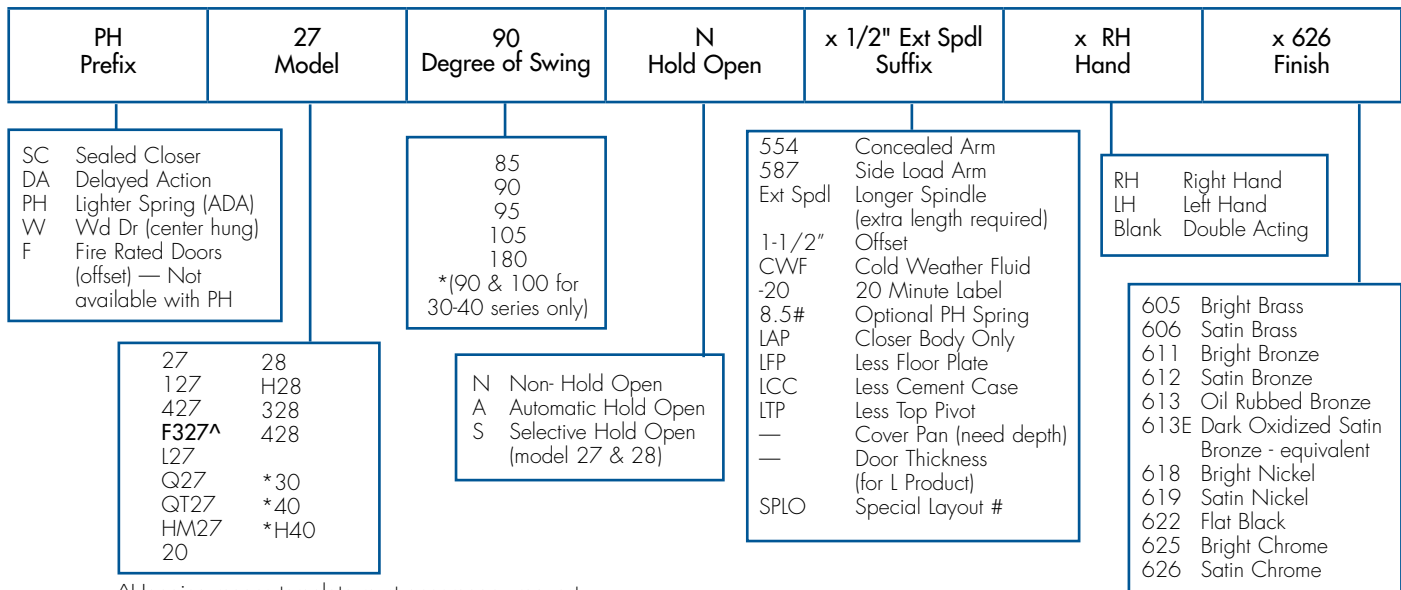
# HEAVY-DUTY FLOOR CLOSERS

## QUICK REFERENCE OF OPTIONS, HOW TO ORDER

Prefix	Model	Degree of Swing	Hold Open Options	General Options	Handed	Positive Dead Stop	Maximum Weight*
<b>Offset Closers</b>							
SC, DA, PH, F	27	85,90,95,105	N, S	Ext. Spdl, CWF, 1-1/2 OS, -20, 8.5#	Yes	Yes	450
SC, PH-F	27-180	180	N, A	Ext. Spdl, CWF, 1-1/2 OS, -20, 8.5#	Yes	Yes	450
SC, DA, PH, F	127	85,90,95,105	N, S	Ext. Spdl, CWF, -20, 8.5#	Yes	Yes	250
SC, DA, PH	427	85,90,95,105	N, S	Ext. Spdl, CWF, 8.5#	Yes	Yes	250
SC	F327	90	N	Extended Spindle	Yes	No	250
SC, DA, PH, F	L27	85,90,95,105	N, S	Ext. Spdl, CWF, -20, 8.5#	Yes	Yes	1500
SC, PH, F	L27-180	180	N, A	Ext. Spdl, CWF, -20, 8.5#	Yes	Yes	1500
SC, DA, PH, F	Q27/QT	85,90,95,105	N, S	Ext. Spdl, CWF, -20, 8.5#	Yes	Yes	350
SC, DA, PH, F	HM27	85,90,95,105	N, S	Ext. Spdl, CWF, -20, 8.5#	Yes	Yes	250
PH, F	20	180	N	Ext. Spdl, -20, 8.5#	Yes	No	200
<b>Center Hung Closers</b>							
SC, DA, PH	28 x 554	85,90,95,105	N, S	Ext. Spdl, CWF, 8.5#	Yes	Yes	350
SC, DA, PH, W	28	85,90,95,105	N, S	Ext. Spdl, CWF, 8.5#	Yes	Yes	350
SC, DA, PH	H28	85,90,95,105	N, S	Ext. Spdl, CWF, 8.5#	Yes	Yes	1000
SC, DA, PH	H28 x 587	85,90,95,105	N, S	Ext. Spdl, CWF, 8.5#	Yes	Yes	1000
SC, DA, PH	328	85,90,95,105	N, S	Ext. Spdl, CWF, 8.5#	Yes	Yes	325
SC, DA, PH	428	85,90,95,105	N, S	Ext. Spdl, CWF, 8.5#	Yes	Yes	325
SC, PH, W	30	90,100	N, A	Ext. Spdl, CWF, 8.5#	No	No	200
SC, PH, W	40	90,100	N, A	Ext. Spdl, CWF, 8.5#	No	No	300
SC, PH	H40	90,100	N, A	Ext. Spdl, CWF, 8.5#	No	No	1000
SC, PH	H40 x 587	90,100	N, A	Ext. Spdl, CWF, 8.5#	No	No	1000

\* Offset closer weights are for 3/4' and the use of an intermediate pivot

### HOW TO ORDER



<sup>^</sup>Hanging means template must accompany request for quote, prior to ordering.

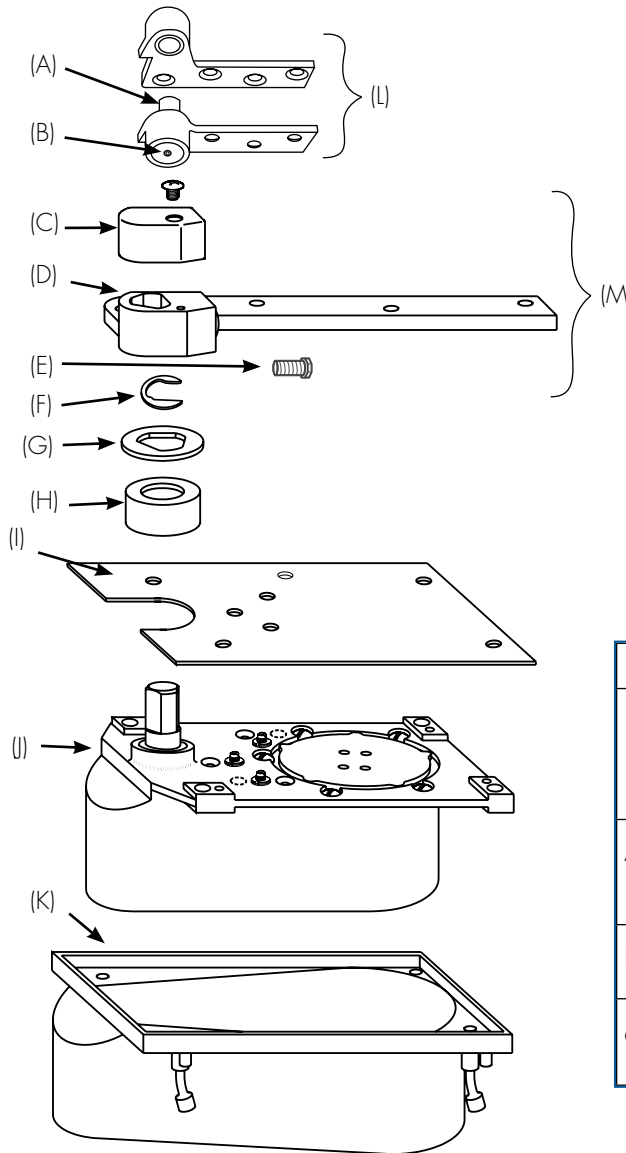
\*Degree must be furnished for hold open units only.

\*Model 428 available in only 605, 629 & 630

MODEL 27

Right Hand Shown  
3/4" Offset

(A) Pivot Stud 181770-ASY
(B) Hex Cap 181778-*
(C) Arm Cap & Screw 012142R*AS (RH, BRS) 012142L*AS (LH, BRS) 012144R*AS (RH, SS) 012144L*AS (LH, SS)
(D) 3/4" Offset Arm x Locking Screw 275177 (RH) 275176 (LH)
(E) Arm Locking Screw Only 88905-PKG (5)
(F) Arm Shims 275065-PKG (5)
(G) Arm Bearing Washer 275062-PKG (5)
(H) Spindle Shoulder Collar 259000-*



(L) 3/4" Offset Top Pivot Assembly 180 (standard) F180 (Fire Rated) 180-20 (20 minutes)
(M) Bottom Arm Package 252050R* (RH) 252050L* (LH) (Includes C, D, H, and attaching screws)
(I) Floor Plate x Screws 274050R* (RH) NHO 274050L* (LH) NHO 274750R* (RH) SHO 274750L* (LH) SHO
(J) Closer Body LAP Specify Complete Model
(K) Cement Case x Screws 253000-PKG

<b>For 27 x 1-1/2" Offset</b>
1-1/2" Offset Top Pivot 180 x 1-1/2"
F180 x 1-1/2" (Fire Rated)
180 x 20 x 1-1/2 (20 Minute)
1-1/2" Offset Arm x Locking Screw 275167-*
1-1/2" Bottom Arm Package 252060R* 252060L*

<b>Screw Kits</b>
180 Top Pivot Screw Kit 107014-* Machine (2) Req 107114-* Wood (2) Req
Arm Screw Kit 107044 Machine 107144 Wood
Floor Plate Screw Kit 107004 -*
Cement Case Screw Kit 107046

\*specify finish

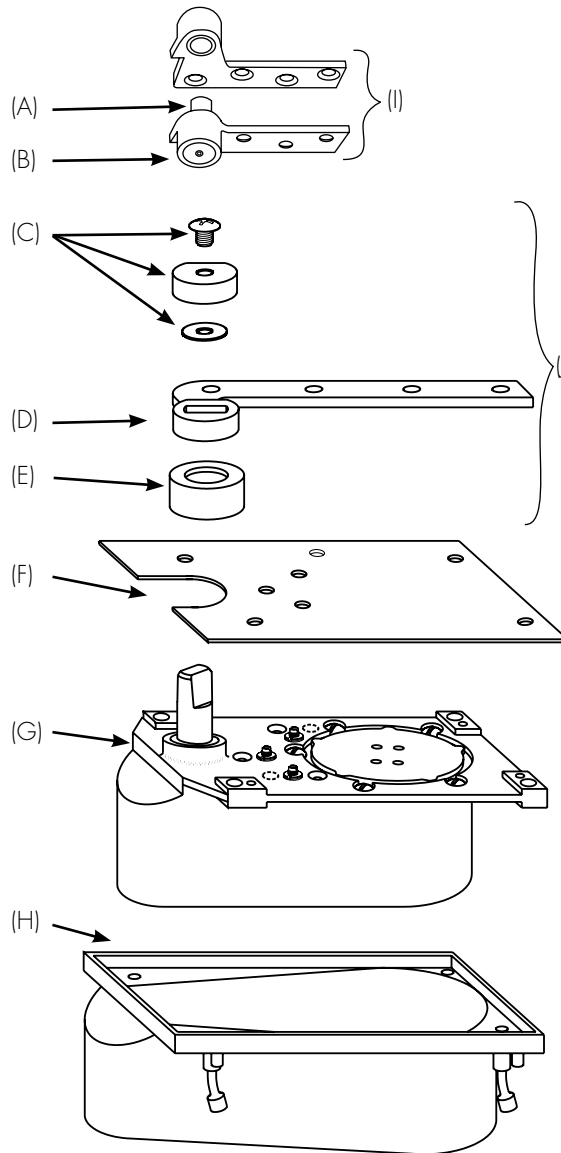
# HEAVY-DUTY FLOOR CLOSERS

## PARTS DRAWINGS

MODEL 127/427

Right Hand Shown  
3/4" Offset

(A) Pivot Stud 181770-ASY
(B) Hex Cap 181778-*
(C) Arm Cap x Screw 12029-AS
(D) 3/4" Offset Arm 12027 (RH) 12028 (LH)



(I) 3/4" Offset Top Pivot  
180  
F180 (Fire Rated)  
180 x 20 (20 Minute)

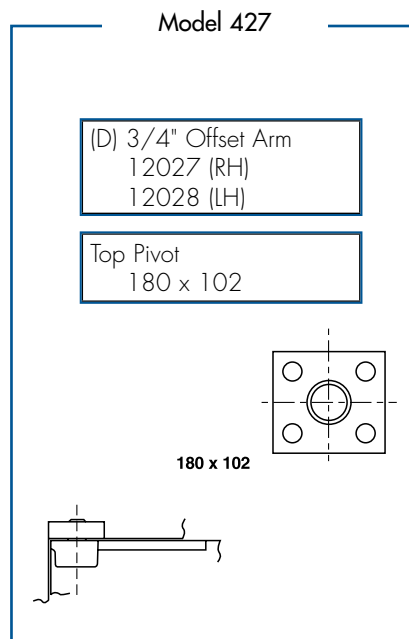
(II) Bottom Arm Package  
652050R\* (RH)  
652050L\* (LH)  
(Includes C, D and  
attaching screws)

(E) Spindle Shoulder Collar  
259000-\*

(F) Floor Plate with Screws  
274050R\* (RH) NHO  
274050L\* (LH) NHO  
274750R\* (RH) SHO  
274750L\* (LH) SHO

(G) Closer Body (Specify  
Complete Model No.  
x LAP)

(H) Cement Case with  
Screws  
253000 - PKG



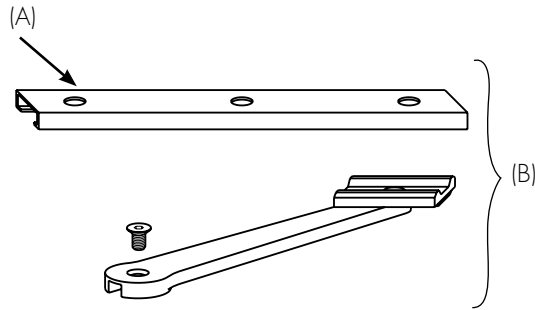
Screw Kits
180 x 102 Screw Kit 107014-* 1 each Machine 107114-* 1 each Wood 107112-* 1 each Wood 107012-* 1 each Machine
180 Top Pivot Screw Kit 107014-* Machine (2) Req 107114-* Wood (2) Req
Arm Screw Kit 107044 Machine 107144 Wood
Floor Plate Screw Kit 107004-*
Cement Case Screw Kit 107046

\*specify finish

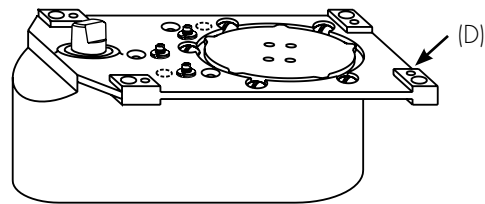
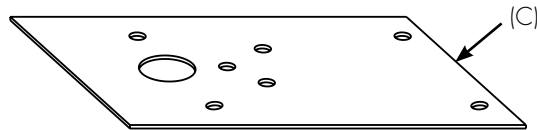
MODEL F327

Right Hand Shown  
Independently Hung

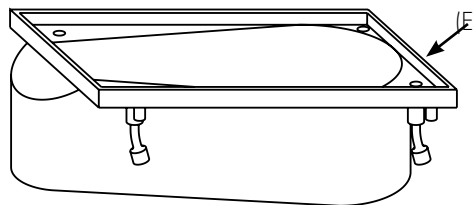
(A) Door Rail  
327006



(B) Bottom Arm Package 3252010-*
(C) Floor Plate with Screws 3274010R* (RH) 3274010L* (LH)
(D) Closer Body (Specify Complete Model No. x LAP)
(E) Cement Case with Screws 253000-PKG



Screw Kits
Slide Track Screw Kit 107033
Floor Plate Screw Kit 107004-*
Cement Case Screw Kit 107046



\*specify finish



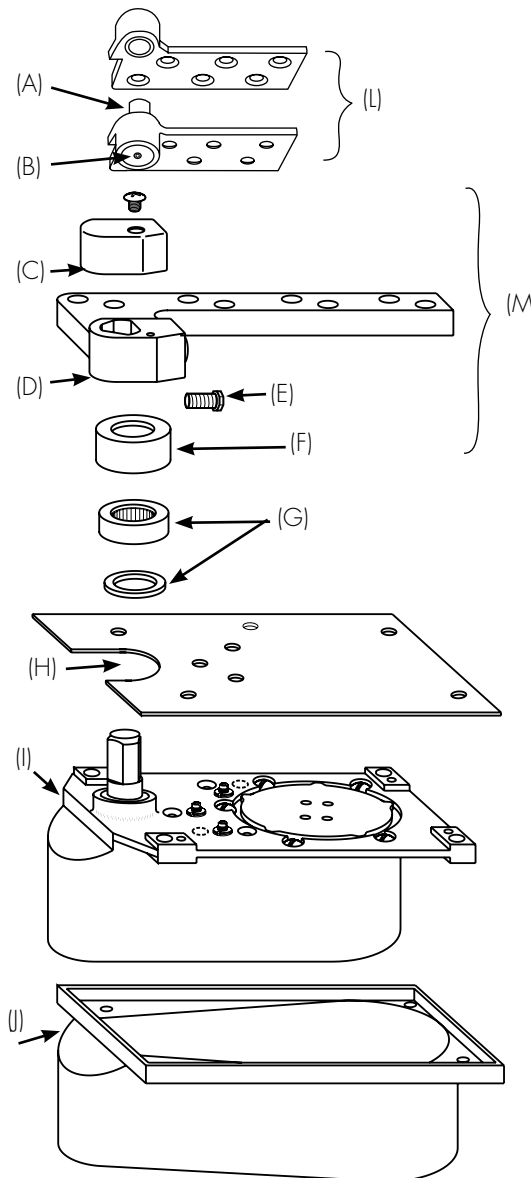
# HEAVY-DUTY FLOOR CLOSERS

## PARTS DRAWINGS

### MODEL L27

Right Hand Shown  
3/4" Offset

(A) Pivot Stud 181770-ASY
(B) Hex Cap 181778-*
(C) Arm Cap & Screw 012142R*AS (RH, BRS) 012142L*AS (LH, BRS) 012144R*AS (RH, SS) 012144L*AS (LH, SS)
(D) Arm x Locking Screw 1-3/4" Door 18550-Asy (RH) 18650-Asy (LH)
2" Door 18551-Asy (RH) 18651-Asy (LH)
2-1/4" Door 18552-Asy (RH) 18652-Asy (LH)
2-1/2" Door 18553-Asy (RH) 18653-Asy (LH)
3" Door 18554-Asy (RH) 18654-Asy (LH)
(E) Arm Locking Screw Only 88905-PKG (5)
(F) Spindle Shoulder Collar 259500-*
(G) Heavy-Duty Thrust Bearing 41204-PKG (Includes 41207N spacer)



For L27 x 3/4" Offset
(L) 3/4" Offset Top Pivot F180 FL180 Fire Rated L180 x 20 20 Minute
(M) Bottom Arm Package 1-3/4" Door 252051R* (RH) 252051L* (LH)
2" Door 252052R* (RH) 252052L* (LH)
2-1/4" Door 252053R* (RH) 252053L* (LH)
2-1/2" Door 252054R* (RH) 252054L* (LH)
3" Door 252055R* (RH) 252055L* (LH)
(Includes: C, D, F and attaching screws)
(H) Floor Plate with Screws 274050R* (RH) NHO 274050L* (LH) NHO 274750R* (RH) SHO 274750L* (LH) SHO
(I) Closer Body (Specify Complete Model No. x LAP) (Includes G)
(J) Cement Case with Screws 253001-PKG

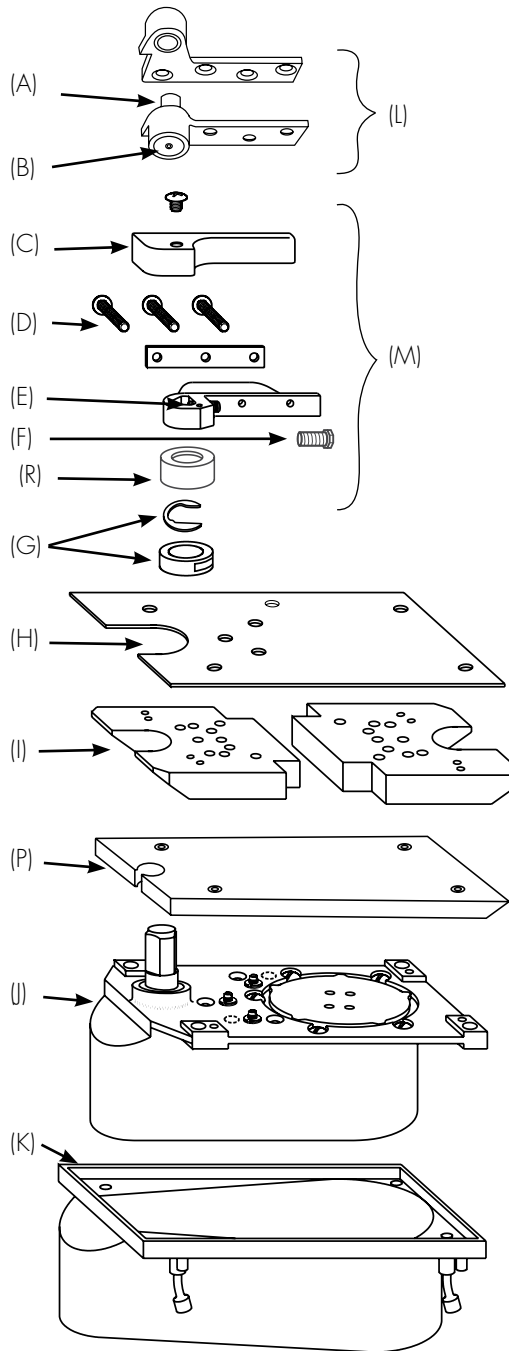
Screw Kits
L180 Screw Kit 107016-* Machine (2) Req 107116-* Wood (2) Req
Arm Screw Kit 107048 Machine (2) Req 107144 Wood (2) Req
Floor Plate Screw Kit 107004-*
Cement Case Screw Kit 107046

\*specify finish

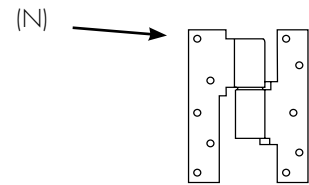
MODEL Q27/QT27

Right Hand Shown  
3/4" Offset Only

(A) Pivot Stud 181770-ASY
(B) Hex Cap 181778-*
(C) Arm Cap & Screw 73035R*AS (RH) 73035L*AS (LH)
(D) Arm Mounting Screws and Plate 73014-*
(E) Removable Arm 73001R-ASY (RH) 73001L-ASY (LH)
(F) Arm Locking Screw Only 88905-PKG (5)
(G) Arm Washer/Shim Package - 275179 (Includes 275065 and 275178 Torque Washer)
(I) Q27 Styrofoam Filler 73009
(P) QT Styrofoam Filler 73017
(R) Spindle Shoulder Collar 259000-*



For Q27/QT27 x 3/4" Offset	
(L)	3/4" Offset Top Pivot 180 F180 (Fire Rated) 180 x 20 (20 Minute)
(M)	Bottom Arm Package 222050R* (RH) 222050L* (LH) (Includes C, D, E, R and attaching screws)
(N)	3/4" Offset Intermediate Pivot M19 FM19 Fire-Rated M19-20 20-Minute



Intermediate Pivot

(H)	Q Floor Plate with Screws 294050R* (RH) (NHO) 294050L* (LH) (NHO) 294750R* (RH) (SHO) 294750L* (LH) (SHO)
(J)	Closer Body (Specify Complete Model No. x LAP)
(K)	Cement Case with Screws 253000-PKG

Screw Kits	
180 Screw Kit	107014-* Machine (2) Req 107114-* Wood (2) Req
Q Floor Plate Screw Kit	107010-*
Cement Case Screw Kit	107046
M19 Intermediate Pivot Screw Kit	107015-* Machine (2) Req 107115-* Wood (2) Req

\*specify finish

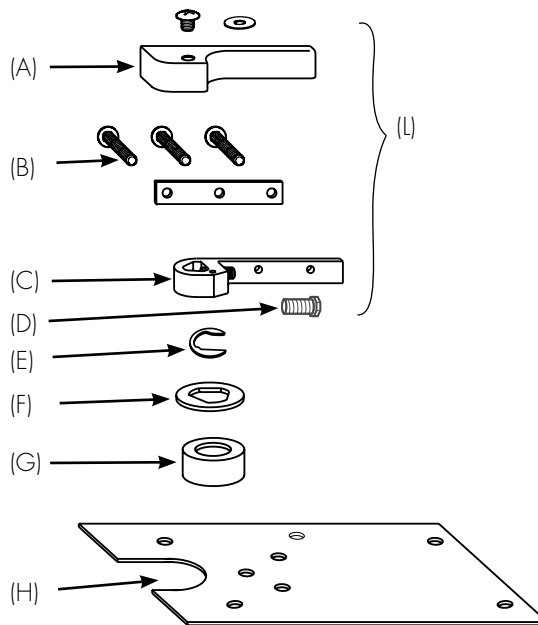
# HEAVY-DUTY FLOOR CLOSERS

## PARTS DRAWINGS

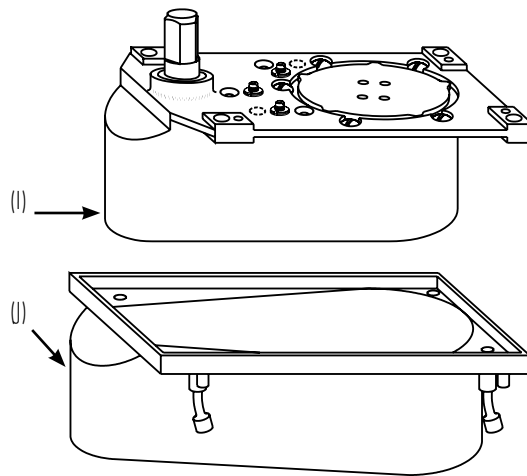
### MODEL HM27

Right Hand Shown  
3/4" Offset

(A) Arm Cap & Screw 73025R*AS (RH) 73025L*AS (LH)
(B) Arm Mounting Screws and Plate 73014*
(C) Arm x Set Screw 73041R*AS (RH) 73041L*AS (LH)
(D) Arm Locking Screw Only 88905-PKG (5)
(E) Arm Shims (5) 275065-PKG
(F) Arm Bearing Washer 275062-PKG-5
(G) Spindle Shoulder Collar 259000-*



(L) Bottom Arm Package 222050R*HM (RH) 222050L*HM (LH) (Includes A, B, C, G and attaching screws)
(H) Floor Plate with Screws 274050R* (RH) (NHO) 274050L* (LH) (NHO) 274750R* (RH) (SHO) 274750L* (LH) (SHO)
(I) Closer Body (Specify Complete Model No. x LAP)
(J) Cement Case with Screws 253000-PKG
(K) Special Offset Hinges (3) 254545*PK



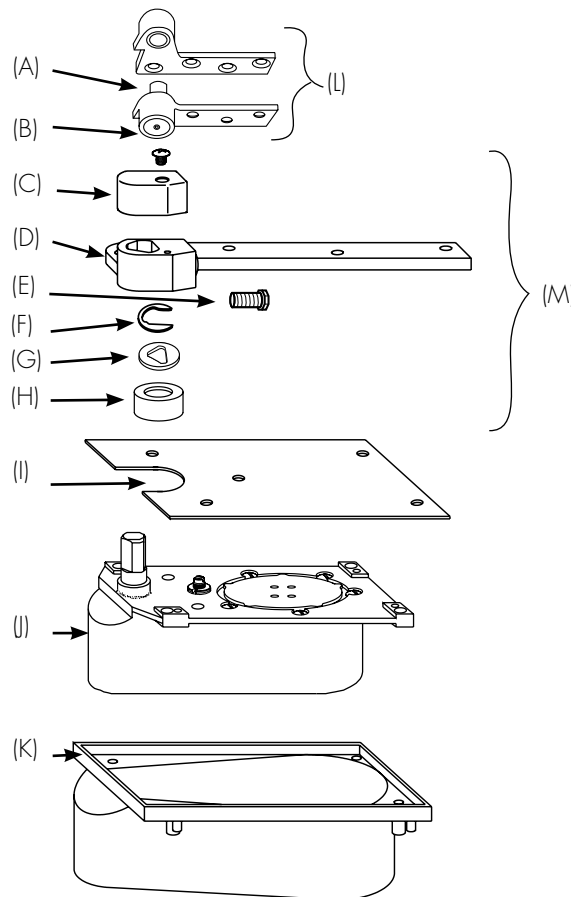
Screw Kits
Floor Plate Screw Kit 107004-
Cement Case Screw Kit 107046
Hinge Screw Kit 107519-*

\*specify finish

MODEL 20

Right Hand Shown  
3/4" Offset

(A) Pivot Stud 181770-ASY
(B) Hex Cap 181778-*
(C) Arm Cap & Screw 012142R*AS (RH, BRS) 012142L*AS (LH, BRS) 012144R*AS (RH, SS) 012144L*AS (LH, SS)
(D) 3/4" Offset Arm x Locking Screw 275177 (RH) 275176 (LH)
(E) Arm Locking Screw Only 88905-PKG (5)
(F) Arm Shims 275065-PKG (5)
(G) Arm Bearing Washer 275062-PKG (5)
(H) Spindle Shoulder Collar 259000-*



(L) 3/4" Offset Top Pivot  180 FL180 (Fire Rated) 180 - 20 (20 Minute)
(M) Bottom Arm Package 252050R* (RH) 252050L* (LH) (Includes C, D, H and attaching screws)
(I) Floor Plate with Screws 204050-*
(J) Closer Body (Specify Complete Model No. x LAP)
(K) Cement Case with Screws 203000

Screw Kits
180 Screw Kit 107014-* Machine (2) Req 107114-* Wood (2) Req
Arm Screw Kit 107044-* Machine (2) Req 107144-* Wood (2) Req
Floor Plate Screw Kit 107004-*
Cement Case Screw Kit 107046

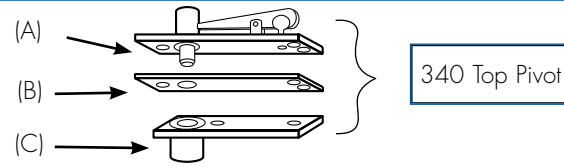
# HEAVY-DUTY FLOOR CLOSERS

## PARTS DRAWINGS

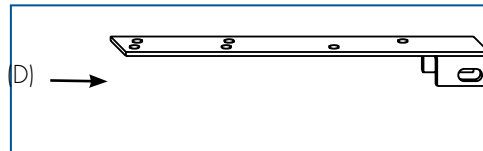
### MODEL 28

(A) Jamb Portion 3065
(B) Finish Plate 012202-*PK(BRS) 012204-*PK(SS)
(C) Door Portion 30243
(E) Arm Plate Shims (.062) 46045-PKG (5) Arm Plate Shims (.187) 46145-PKG (5)
(F) Arm Plate & Stud Assy 46445
(G) Arm Spindle Screw 01244010-PKG (5)
(H) Arm Spindle Washer 01030-PKG (5)
(I) Arm Set Screw Only 26087-PKG (5)
(J) Arm & Arm Set Screw 282026
(K) Arm Alignment Screw & Washer (2) of each 107032-*
(L) Arm Spindle Collar 259000-*

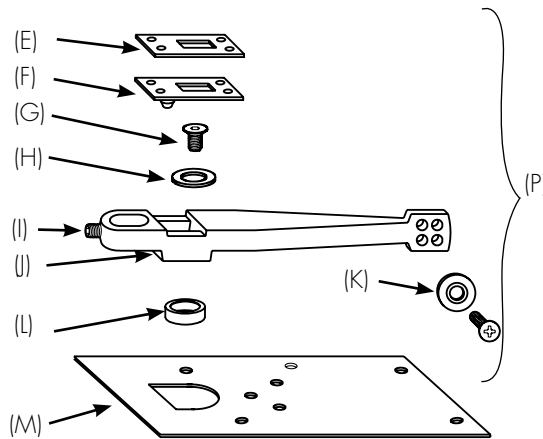
(M) Floor Plate with Screws 284020R* (RH) NHO
284020L* (LH) NHO
284720R* (RH) SHO
284720L* (LH) SHO



Wood Door Arm Package 282126 (D,E, F,J)
---

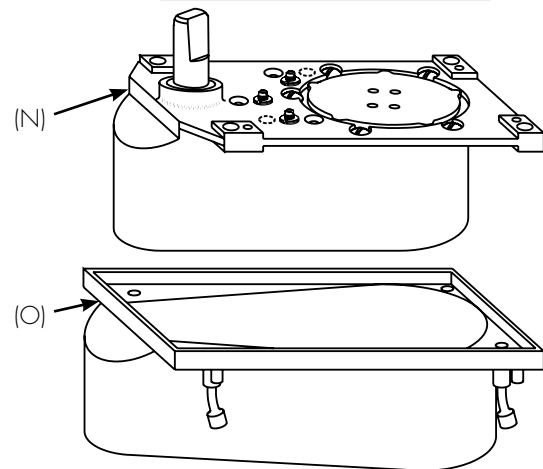


(D) W28 Wood Door Plate & Shim Pkg 107066 (Includes 46145 & 46445)
---



(P) Bottom Arm Package (E-K) 282026-*
--

554 Concealed Arm Package 282554 (Includes 107064)
--



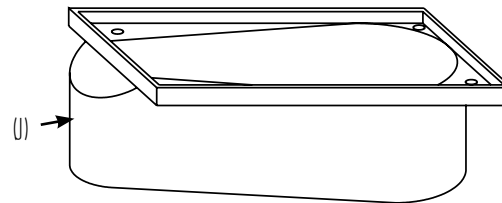
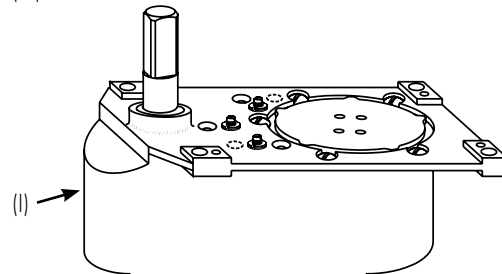
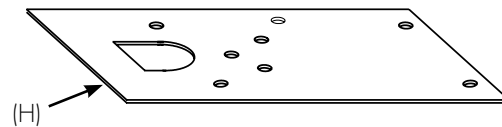
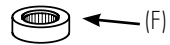
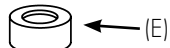
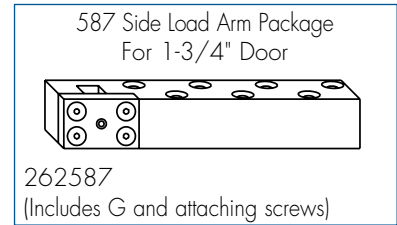
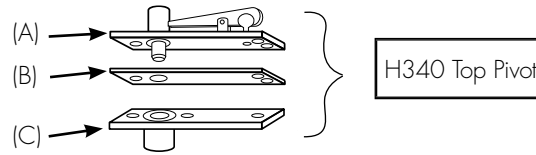
(N) Closer Body (Specify Complete Model No. x LAP)
(O) Cement Case with Screws 253000-PKG

Screw Kits
340 Screw Kit 107329 Machine & Wood
Arm Screw Kit 107048-* Machine (2) Req 107144-* Wood (2) Req
554 Arm Screw Kit 107064
Floor Plate Screw Kit 107004-*
Cement Case Screw Kit 107046

\*specify finish

MODEL H28

(A) Jamb Portion 308548
(B) Finish Plate 012202-*PK (BRS) 012204-*PK (SS)
(C) Door Portion 30141
(D) Standard End Load Arm Package (minimum 2" door thickness) 262022 (Includes 107060, 107045, and 107145)
(E) Arm Spindle Collar 259500-*
(F) Heavy-Duty Thrust Bearing 41204-PKG (Includes 41207N)
(G) Arm Shim Kit 107060



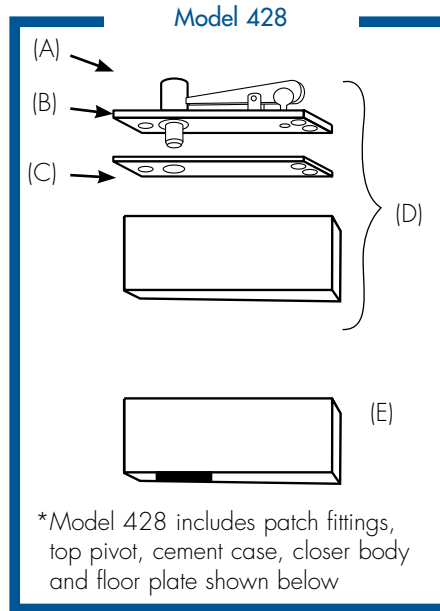
(H) Floor Plate with Screws NHO 284020R* (RH) 284020L* (LH)
SHO 284720R* (RH) 284720L* (LH)
(I) Closer Body (Specify Complete Model No. x LAP) (Includes 41204- PKG)
(J) Cement Case with Screws 253001 - PKG

Screw Kits
H340 Screw Kit 107329 Machine & Wood
587 Arm Screw Kit 107077 Machine 107145-* Wood
Arm Screw Kit 107045 Machine 107145 Wood
Floor Plate Screw Kit 107004-*
Cement Case Screw Kit 107046

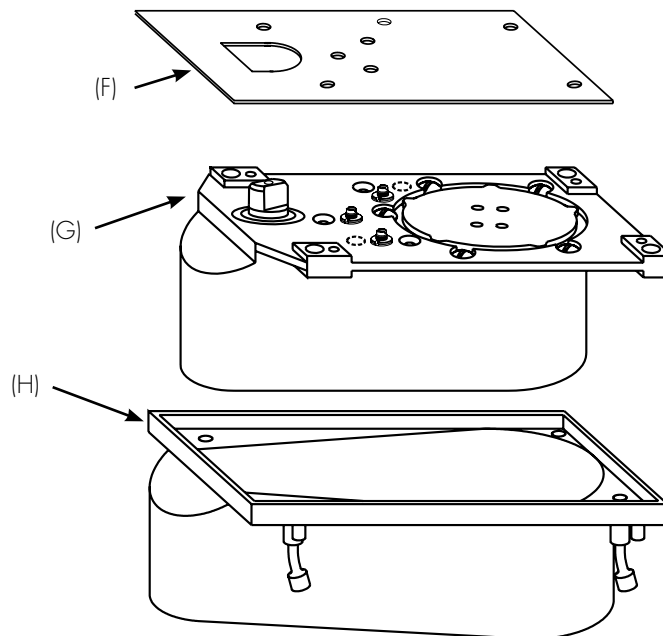
# HEAVY-DUTY FLOOR CLOSERS PARTS DRAWINGS

MODEL 328/428

(A) Jamb Portion 42801
(B) Finish Plate 012202-*PK (BRS) 012204-*PK (SS)
(C) Patch Fitting Cover 7495 - *
(J) Bottom Pivot Insert 74101
(K) Top Pivot Insert 74102



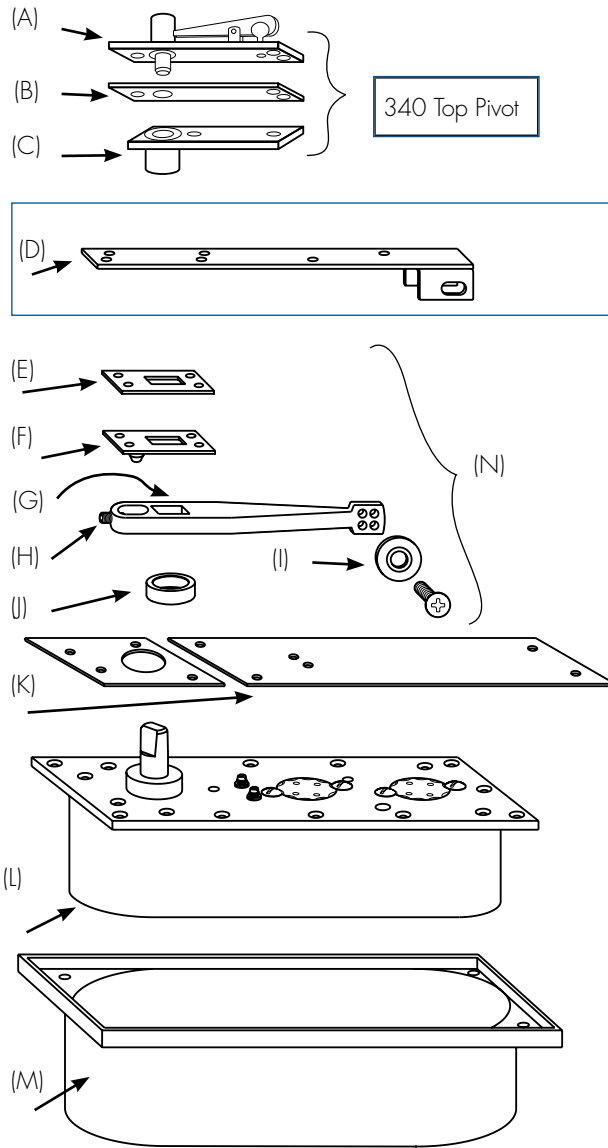
(D) Top Patch 7494-* PK (Includes C and K)
(E) Bottom Patch 7495-* PK (Includes C and J)
(F) Floor Plate with Screws NHO
NHO 284020R* (RH) 284020L* (LH)
SHO 284720R* (RH) 284720L* (LH)
(G) Closer Body (Specify Complete Model No. x LAP)
(H) Cement Case with Screws 253000-PKG



\*specify finish

MODEL 30

(A) Jamb Portion 3065
(B) Finish Plate 012202-*PK(BRS) 012204-*PK(SS)
(C) Door Portion 30243
(E) Arm Plate Shims (.062) 46045-PKG (5)
(E) Arm Plate Shims (.187) 46145-PKG (5)
(F) Arm Plate & Stud Assy 46445
(G) Arm & Arm Set Screw 302026
(H) Arm Set Screw Only (5) 26087-PKG
(I) Arm Alignment Screw & Washer (2) 107032-*
(J) Arm Spindle Collar 259000-*



WD DR Arm PKG  
302126 (Includes D and G)

(D) W30 Wood Door Plate  
& Shim PKG  
107066 (Includes shims and  
special arm centering screws)

(N) Bottom Arm Package  
302026 -\*  
(Includes E, G, I, J and  
attaching screws)

(K) Floor Plate with Screws  
(1 large and 1 small)  
304020-\*

(L) Closer Body (Specify  
Complete Model No. x LAP)

(M) Cement Case with Screws  
303000

Screw Kits
H340 Screw Kit 107329 Machine & Wood
Arm Screw Kit 107048 Machine 107144 Wood
Floor Plate Screw Kit (2 req.) 107004-*
Cement Case Screw Kit 107014

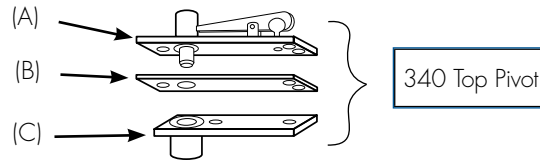


# HEAVY-DUTY FLOOR CLOSERS

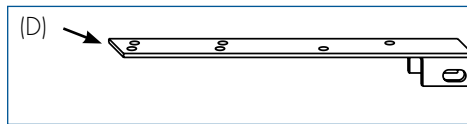
## PARTS DRAWINGS

MODEL 40

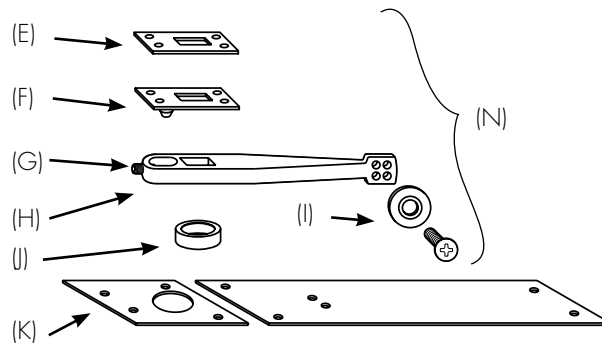
(A) Jamb Portion 3065
(B) Finish Plate 012202-*PK (BRS) 012204-*PK (SS)
(C) Door Portion 30243
(E) Arm Plate Shims (.062) 46045-PKG (5)
(E) Arm Plate Shims (.187) 46145-PKG (5)
(F) Arm Plate & Stud Assy 46445
(G) Arm & Arm Set Screw 302026
(H) Arm Set Screw Only 26087-PKG (5)
(I) Arm Alignment Screw & Washer (2) 107032-*
(J) Arm Spindle Collar 259000



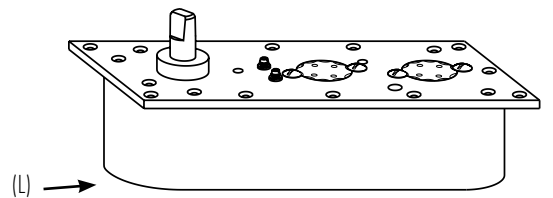
WD DR Arm PKG  
302126  
(Includes D and G)



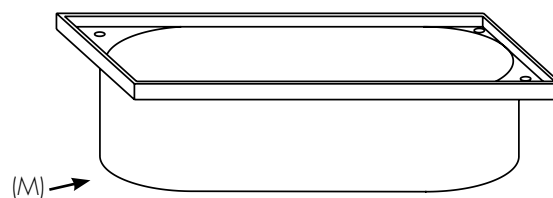
(D) W40 Wood Door  
Plate & Shim PKG  
107066  
(Includes shims and  
special arm centering  
screws)



(N) Bottom Arm Package  
302026 -\*  
(Includes E, F, G, I, J)



(K) Floor Plate with Screws  
(1 large and 1 small)  
404020-\*



(L) Closer Body  
(Specify Complete  
Model No. x LAP)



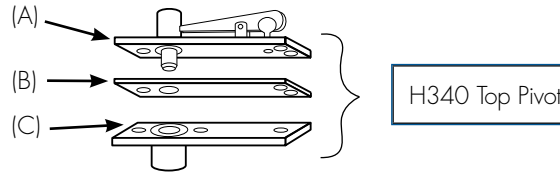
(M) Cement Case with Screws  
403000

Screw Kits
340 Screw Kit 107329 Machine & Wood
Arm Screw Kit 107048 Machine 107144 Wood
Floor Plate Screw Kit (2 req.) 107004-*
Cement Case Screw Kit 107014

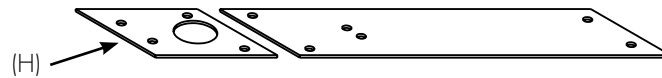
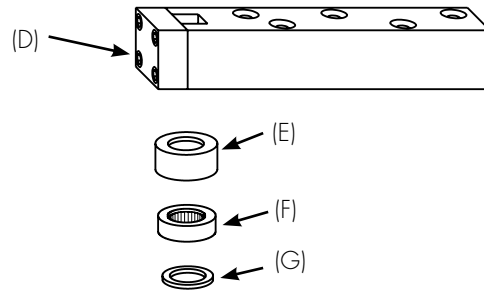
\*specify finish

MODEL H40

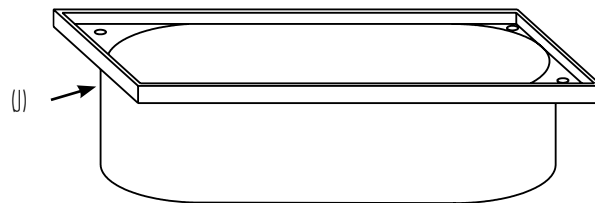
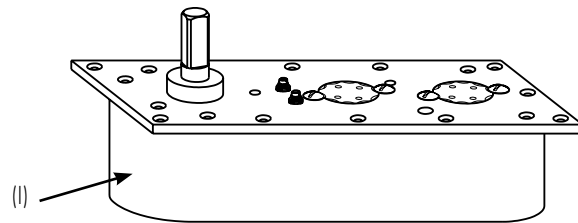
(A) Jamb Portion 308548
(B) Finish Plate 012202-*PK (BRS) 012204-*PK (SS)
(C) Door Portion 30141
(D) Standard End Load Arm Package (minimum 2" door thickness) 262022
(E) Arm Spindle Collar 259500-*
(F) Heavy-Duty Thrust Bearing 41204-PKG
(G) Arm Shim Kit 107060



587 Side Load Arm Package For 1-3/4" Door
262587 (Includes G and attaching screws)



(H) Floor Plate with Screws 1 Large 1 Small 404020 -*
(I) Closer Body (Specify Complete Model No. x LAP) (Includes 41204- PKG)
(J) Cement Case with Screws 403000



Screw Kits
H340 Screw Kit 107329 Machine & Wood
587 Arm Screw Kit 107077 Machine 107145 Wood
Arm Screw Kit 107045 Machine 107145 Wood
Floor Plate Screw Kit (2 req.) 107004-*
Cement Case Screw Kit 107014

\*specify finish



CONTACT US AT:

Rixson®  
3000 Highway 74 East  
Monroe, NC 28112  
Tel: 800-457-5670  
Fax: 800-338-0965

ASSA ABLOY Door Security Solutions Canada  
160 Four Valley Drive  
Vaughan, Ontario, L4K 4T9 Canada  
Tel: 800-461-3007  
Fax: 800-221-0489

For a complete listing of products and  
applications please visit our web site.

[www.rixson.com](http://www.rixson.com)  
[www.assaabloy.ca](http://www.assaabloy.ca)



ElectroLynx®

As part of their promise to provide innovative, fast and effective high security solutions to their customers, certain ASSA ABLOY Group brands offer ElectroLynx®, a universal quick-connect system that simplifies the electrification of the door opening. ElectroLynx® is a registered trademark of ASSA ABLOY Inc.

Rixson®, Rixson and Design® are registered trademarks of Yale Security Inc., an ASSA ABLOY Group company. Other products' brand names may be trademarks or registered trademarks of their respective owners and are mentioned for reference purposes only. These materials are protected under U.S. copyright laws. All contents current at time of publication. Copyright © 2001-2015, Yale Security Inc., an ASSA ABLOY Group company. All rights reserved. Reproduction in whole or in part without the express written permission of Yale Security Inc. is prohibited.

ASSA ABLOY is the global leader in door opening solutions, dedicated to satisfying end-user needs for security, safety and convenience.

44036-11/15R

---