



K100-622H with Aperio hub

The HES K100 wireless cabinet lock with Aperio technology makes it easy and cost effective to bring real-time access control to cabinets and drawers where audit trail and monitoring are increasingly critical. It uses local wireless communication between the lock and an Aperio hub to connect to an access control system, eliminating the cost and difficulty of physically wiring access control to the cabinet.

The K100 expands the reach of access control systems to drawers, cabinets and lockers through the use of existing ID badges.



K100-622 with thumbturn knob

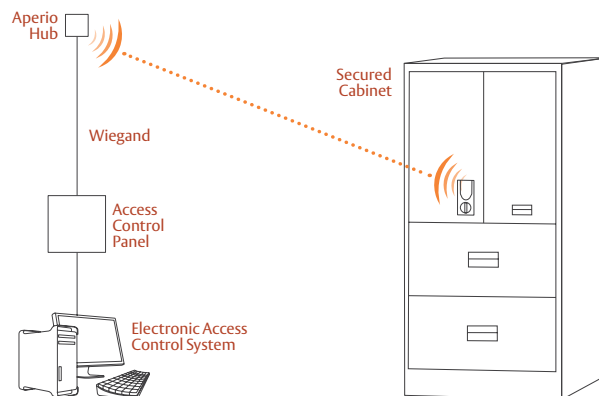
K100-622H

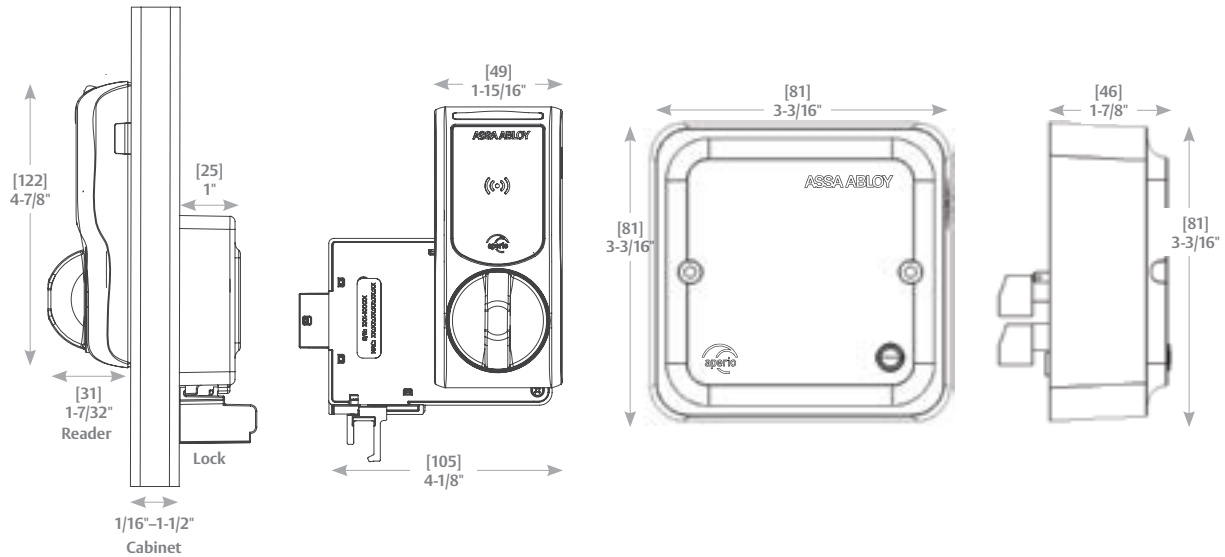
Wireless Cabinet Lock and Aperio® Hub

Add cabinet security without adding another credential

Specifications

- Operating temperature +32 to +122F [0 to +50C]
- FCC and Industry Canada compliant
- Patents pending





K100 Features & Benefits

- Easy-to-install wireless lock ties to existing electronic access control system
- High security asset protection with audit trail
 - » *Audit trail of cabinet access can be created using existing access control reporting*
 - » *Latch status monitoring can generate forced-entry and door-prop alarms in existing access control system*
- Long battery life using two included AA lithium batteries
 - » *Battery life of one year of typical use (100 uses per day)*
 - » *Low battery signal provided to the access control system*
 - » *Two forms of override available, including mechanical key override and battery 'jump start' pack*
- Bi-directional turnknob for intuitive, easy operation of the lock
- Three large LEDs for clear visual feedback of the card reads

- Automatic latch relock when cabinet door is closed
- Flexible design mounts to cabinets or drawers with door thickness of 1/16" to 1-1/2"
- Uses existing ID badges (no keys to control or replace, no codes to secure or remember)
 - » *Two models available to support low frequency or high frequency cards*
 - *Low frequency model supports PROX and EM PROX*
 - *High frequency model supports iCLASS, iCLASS Seos™, iCLASS SE, ISO14443B UID, Mifare, Mifare Plus, Desfire SE, Desfire EV1, NFC*

Aperio Technology

- Pre-paired wireless lock and hub eliminate the cost and inconvenience of running wiring into a cabinet
- Wireless hub installs as easily as a Wiegand reader

- Fully encrypted AES 128 wireless communication between the K100 cabinet lock and hub ensures data security
- Cabinet access managed by existing access control system

K100 Use Cases

- Control and track access to:
 - » *Pharmaceuticals, prototypes, restricted documents, evidence, tools, high-value materials*

Optional Features

- iCLASS or Prox reader
- Round or thumbturn knob

Finishes

- White or black





ADAMS RITE
A100 Keyless Entry Control
Ideal for aluminum and glass storefront doors



HES
K100 Cabinet Lock
Ideal for cabinets, lockers and drawers—in applications such as healthcare, higher education and IT



HES
KS100 Server Cabinet Lock
Ideal for server cabinets and data centers



MEDECO
M100 eCylinder
Ideal upgrade to existing mechanical door hardware



SARGENT
IN100 Lock
Ideal for institutional and commercial applications



SARGENT
PR100 Lock
Ideal for institutional and commercial applications



SECURITRON
R100 Surface Mounted Wireless Reader
Ideal for full glass, brick, stone and marble entry doors



SECURITRON
AS100 Door Sensor
Ideal for aesthetically demanding doorways

Aperio® Wireless possibilities for online access control

Aperio (Latin) / a'pe.ri.o/ – to uncover, open

At ASSA ABLOY, we've uncovered the solution that will open new doors to possibilities for online access control.

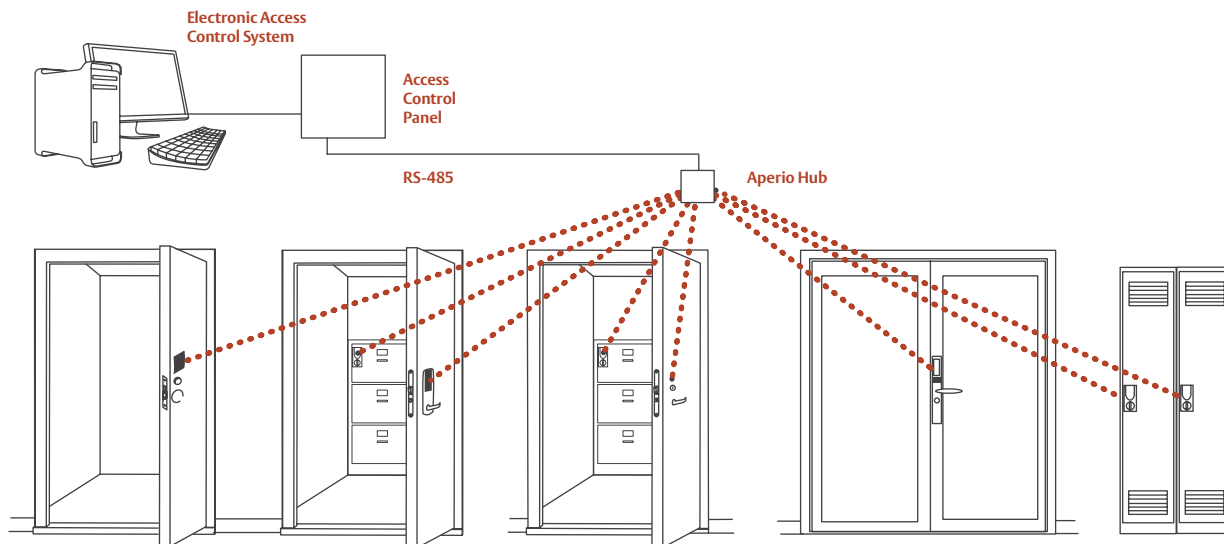
Aperio technology is a global wireless platform that reduces the cost and inconvenience of traditional access control by eliminating wiring at the door.

It utilizes local wireless communication between the lock and a communications hub to connect to an online electronic access control system. This offers facilities an easy, affordable way to expand the reach of existing access control systems and secure additional openings.

Aperio products are available through ASSA ABLOY Authorized Channel Partners.

Visit www.intelligentopenings.com/aperio for more information.

The HES K100 cabinet lock, HES KS100 server cabinet lock, Securitron R100 surface mounted wireless reader and the Adams Rite A100 keyless entry control are now available as single hub and lock kits.



Standard Features

- Utilizes IEEE 802.15.4 wireless communication between the lock and an Apero hub that is connected to the electronic access control system
- Real-time communication with the access control system for greater security and control
- Real-time door status monitoring
- Advanced data security with standard encryption techniques
- AES 128-bit encryption

- Global wireless platform that addresses a wide range of applications and security requirements
- Global Apero technology is ideal for companies who wish to deploy a standard infrastructure across multi-national locations
- Available across a range of locking hardware from ASSA ABLOY Group brands, Apero provides the flexibility to address a variety of applications throughout your facility
- Supports HID® 125 kHz proximity or 13.56 MHz iCLASS® (full authentication, all formats) credentials

Quick, Easy Wireless Deployments

- No complex site surveys
- Minimal field configuration
- Simplified installation at the opening
- Uses existing credentials

General Interest

- Visit ASSA ABLOY America's University to learn more about Apero Integration Certification training which allows configuration of multiple locks on each wireless hub.

www.assaabloyamericasuniversity.com

