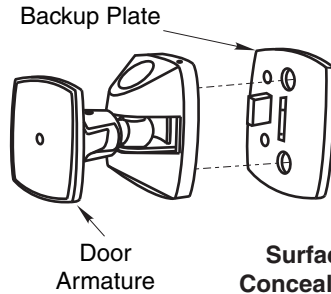
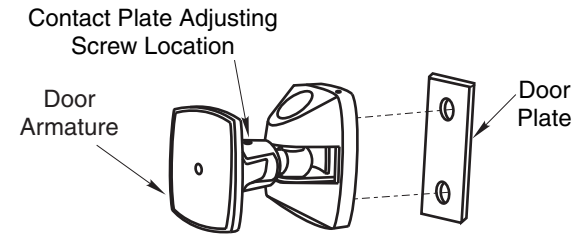


* For Wiring
See Note 3



**Surface Applied
Concealed Mounting**
Recommended for Solid
Wood Doors Only



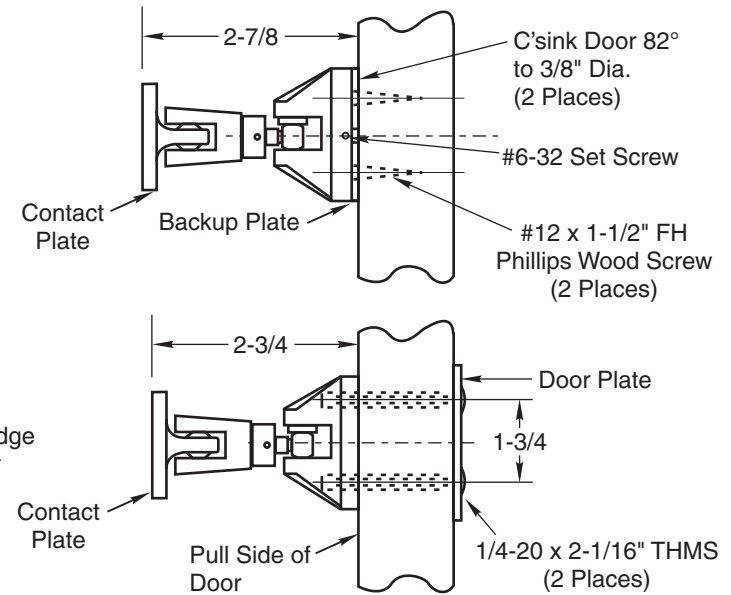
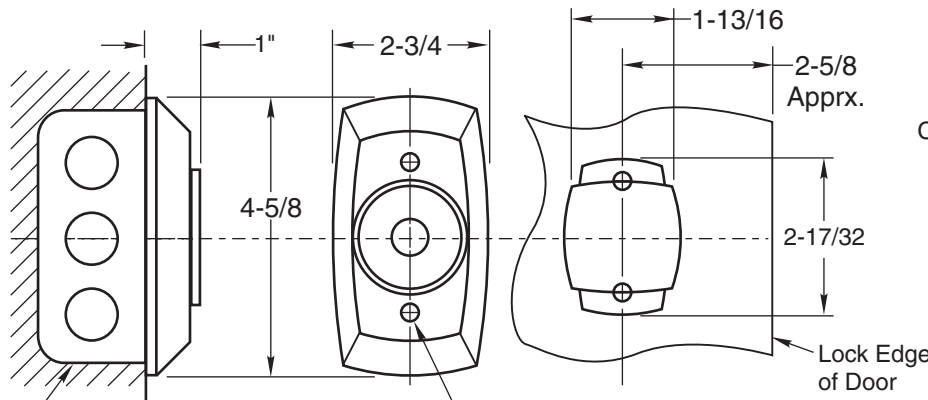
Thru Bolt Mounting
Recommended for
Hollow Metal, Hollow Core or
Composite Type Wood Doors

5/32" x 3/8"
Slot for 2" x 4"
Outlet Box
(2 Places)

Hole for 10-32
Self-tapping Screw
(2 Places)

2" x 4" x 1-1/2"
Outlet Box
(by others)

10-32 x 1-1/2" Flat Head
Self-Tapping Screws
(2 Places)



Notes:

1. Do not scale drawing.
2. Total projection 3-3/4". (Includes electromagnet and armature assembly.)
3. Non-tri voltage magnets have two non-polarized wires to be connected. Tri voltage magnets are connected using a terminal strip on back of magnet. One wire in common and one wire in the appropriate voltage terminal (non-polarized).
4. See Step 1 on template DR100300B for outlet box location. Anchor outlet box to withstand a minimum 50 lb. Pull. Outlet box shown installed in a vertical position.

5. Door closing mechanism should have a 3 lb. Closing force at the degree of door opening where door armature and electromagnet engage.
6. Mounting of outlet box should be reinforced to withstand shock of door opening. Failure to do so will cause box anchors to work loose.
7. All dimensions given in inches. Metric conversion= 25.4 x inch.

FM994 Door Release

RIXSON®

ASSA ABLOY

www.rixson.com

TEMPLATE NUMBER

DATE

DR100300A

02-09

Location of Switch Box

- To locate switch box use table below.
- Determine door width (Dim. "B"). Measure pivot centerline to wall (Dim. "A"). Find dimension "C" in table.

Example:

Pivot centerline to wall ("A") = 10"
 Door Width ("B") = 36"
 Switch Box Centerline ("C") = 33"

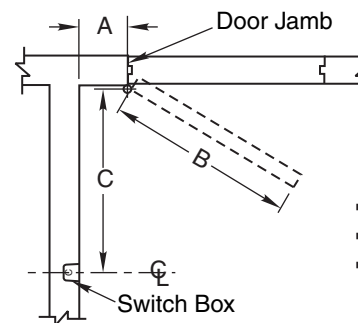
- If "A" or "B" falls between the numbers listed in table allow for difference.

Example:

Pivot centerline to wall ("A") = 17"
 Door Width ("B") = 36"
 Switch Box Centerline ("C") = 30-1/4"

- If dimensions "A" and "B" intersect in shaded area of table **do not install switch box**. The degree of door opening will not permit proper alignment between armature and wall magnet.
- Height to be determined by others. Suggested height is 2'0" to 4'0" from floor and/or not over 6'0".
- Check degree of door opening in table and coordinate with door closers and other door hardware.

Location of Switch Box



"A" – Pivot Centerline to Wall
 "B" – Door Width
 "C" – Pivot Centerline to Switch Box Centerline

Door Width "B"

DIM.	28		30		32		34		36		38		40		42		44		46		48			
	Dim. "C"	Deg	Dim. "C"	Deg	Dim. "C"	Deg	Dim. "C"	Deg	Dim. "C"	Deg	Dim. "C"	Deg	Dim. "C"	Deg	Dim. "C"	Deg	Dim. "C"	Deg	Dim. "C"	Deg	Dim. "C"	Deg		
2	26	90°	28	90°	29-7/8	90°	32	90°	34	90°	36	91°	38	91°	40	92°	42	92°	43-7/8	92°	45-5/8	92°		
4	26	93°	28	94°	29-7/8	94°	32	94°	34	94°	36	94°	38	94°	40	94°	42	94°	43-7/8	94°	45-5/8	94°		
6	25-5/8	97°	27-5/8	97°	29-5/8	97°	31-3/4	97°	33-3/4	97°	35-3/4	97°	37-3/4	97°	39-3/4	97°	41-3/4	97°	43-5/8	96°	45-3/8	96°		
8	25-1/4	103°	27-1/4	103°	29-1/4	103°	31-3/8	101°	33-1/2	100°	35-1/2	100°	37-3/8	100°	39-1/2	99°	41-1/2	99°	43-3/8	98°	45-1/4	98°		
10	24-5/8	107°	26-3/4	106°	28-3/4	106°	30-7/8	105°	33	104°	35	103°	37	103°	39-1/8	103°	41-1/8	103°	43	102°	44-7/8	102°		
12	23-3/4	113°	25-7/8	111°	28	110°	30-1/8	108°	32-1/4	107°	34-3/8	107°	36-3/8	107°	38-1/2	106°	40-5/8	106°	42-1/2	104°	44-3/8	104°		
14	22-3/4	117°	25	115°	27-1/4	114°	29-3/8	113°	31-1/2	112°	33-3/4	110°	35-7/8	109°	38	108°	40	107°	42	106°	43-7/8	106°		
16	21-3/4	123°	24	120°	26-1/4	117°	28-1/2	116°	30-3/4	115°	33	114°	35-1/8	113°	37-1/4	112°	39-3/8	112°	41-3/8	110°	43-3/8	108°		
18	20	127°	22-1/2	125°	25	123°	27-3/8	120°	29-3/4	117°	32	116°	34-1/4	116°	36-1/2	115°	38-5/8	114°	40-5/8	113°	42-1/2	112°		
20	18-1/4	134°	21	130°	23-1/2	127°	26	125°	28-1/2	123°	30-7/8	121°	33-1/8	119°	35-3/8	118°	37-5/8	117°	39-5/8	115°	41-5/8	114°		
22			18-3/4	132°	21-5/8	133°	24-3/8	130°	27	127°	29-3/8	125°	31-3/4	123°	34-1/8	121°	36-1/2	120°	38-5/8	118°	40-3/4	116°		
24							22-1/2	132°	25-1/2	133°	28-1/8	130°	30-5/8	127°	33-1/8	125°	35-5/8	123°	37-7/8	121°	40	119°		
26											26-1/4	132°	29	130°	31-5/8	128°	34-1/4	127°	36-1/2	125°	38-5/8	123°		
28															29-3/4	130°	32-1/2	129°	34-7/8	127°	37-1/8	126°		
30															27-3/4	132°	30-5/8	134°	33	130°	35-3/8	128°		
32																					31-3/8	132°	33-7/8	132°

FM994 Door Release Location Sheet

RIXSON
ASSA ABLOY

www.rixson.com

TEMPLATE NUMBER

DATE

DR100300B

02-09