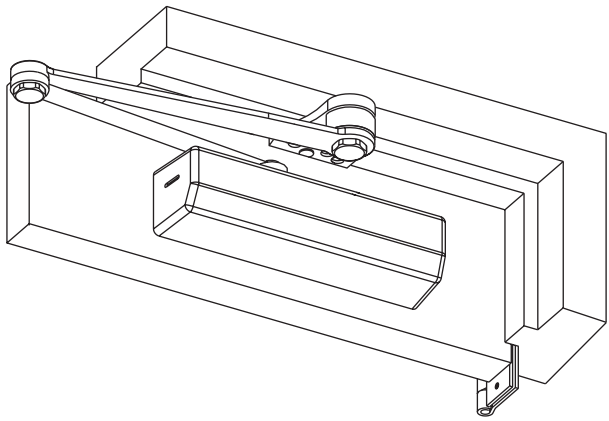


Installation Instructions



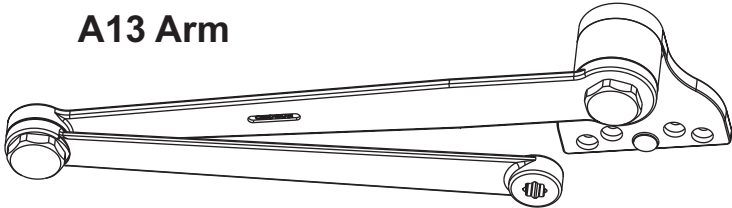
**Universal Door Closers
with A13 Heavy Duty
Non-Hold Open Parallel Arm
For use with Auxiliary Holders**



DC6210 Series
Multi-Size 1 thru 6

DC6410 Series
Half-Size 1 thru 6

A13 Arm



Heavy Duty Non-Hold Open

IMPORTANT:

- An improperly installed or incorrectly adjusted door closer may cause **property damage** or **personal injury**; and will void product warranty.
- To avoid personal injury, **DO NOT DISASSEMBLE THIS DOOR CLOSER BODY.**
- Door closers must be securely fastened to a properly reinforced door and frame with fasteners provided.
- An auxiliary door stop, BY OTHERS, is required for this Installation.

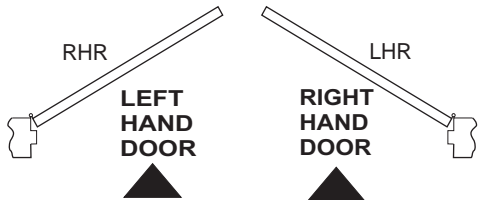
BEFORE INSTALLING:



- The Americans with Disabilities Act (ADA) requires that doors having door closers have an opening force not to exceed 5 lbf.
- The door closer's power size adjustment feature may require adjustment to its lowest setting to comply with ADA opening force guidelines.
- ADA compliant closers are: DC6210 & DC6411.

Size of Door & Door Closer					
Type of Installation	Interior	Exterior In-swinging	Exterior Out -swinging	Recommended Closer Size	**Max. Opening Force lbs/f
Parallel Arm	2'4"	_____	_____	1	8
	2'6"	_____	_____	2	14
	3'0"	_____	2'6"	3	16
	3'6"	_____	3'0"	4	22
	4'0"	_____	*3'6"	5	24
	4'6"	_____	*4'0"	6	26

TO DETERMINE HAND OF YOUR DOOR:



*DC6410 Series Recommended

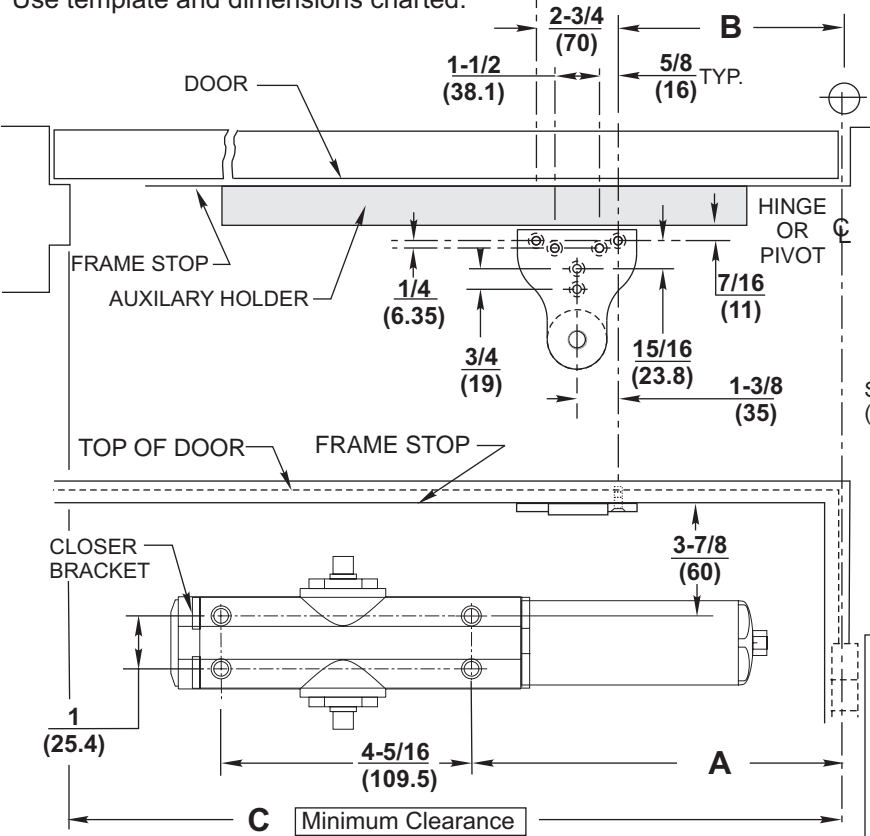
**NOTE: These forces are for standard templating with bearing type hinges and do not account for pressure differentials and draft. Half size closers DC6410 are capable of being adjusted to next higher setting.

Installation Instructions

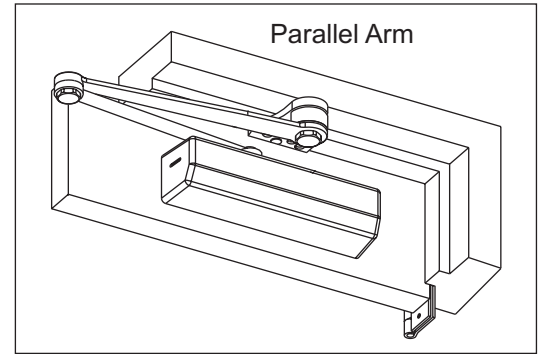
Parallel Arm Application DC6210 / DC6410 Series x A13 Arm Option.

1. Template

Mark Door and Jamb (for closer bracket and arm bracket)
Use template and dimensions charted.

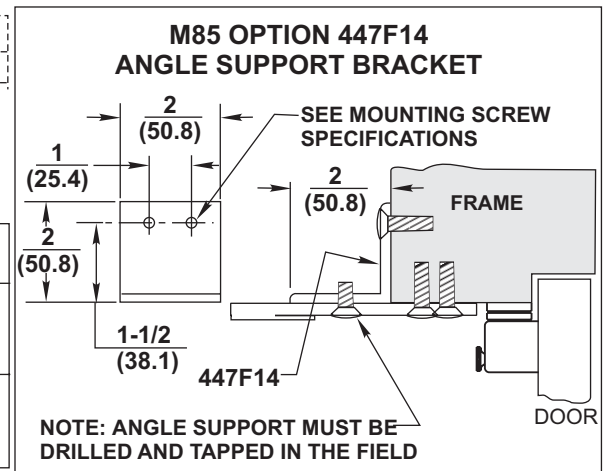
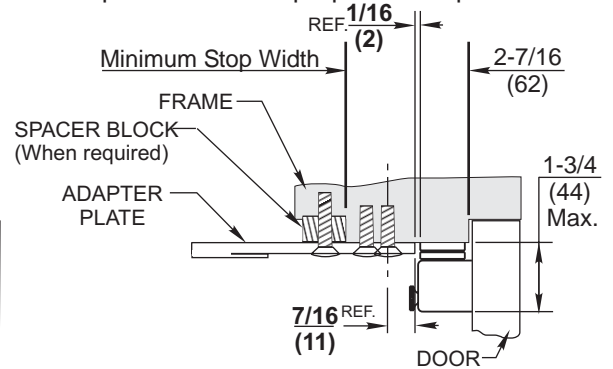


MAXIMUM OPENING	A	B	C	Application
90°	12-3/4 (324 mm)	11-5/8 (295 mm)	27-3/4" (705 mm)	NON A.D.A.
180°	8-11/16 (221 mm)	7-9/16 (192 mm)	23-5/8" (600 mm)	



NOTES:

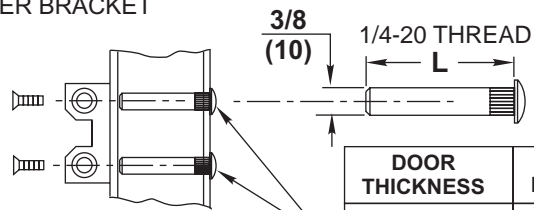
- Check hand of door, see page 1.
- Right Hand Application Shown. Left Hand Opposite.
- Dimensions given in inches (mm). Do Not Scale Drawing.
- Closer must be installed in a true horizontal plane to ensure proper closer performance.



MOUNTING SCREW SPECIFICATIONS ARM AND CLOSER BRACKET

1/4-20 oval head machine screw or 1/4-14 self-drilling screw. 3/16 (4.8) diameter pilot hole required for Wood Applications.

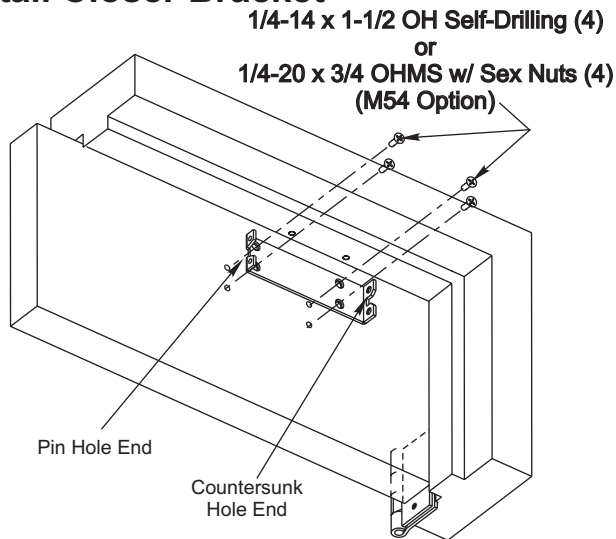
or { Option M54:
Sex nuts, furnished
when ordered



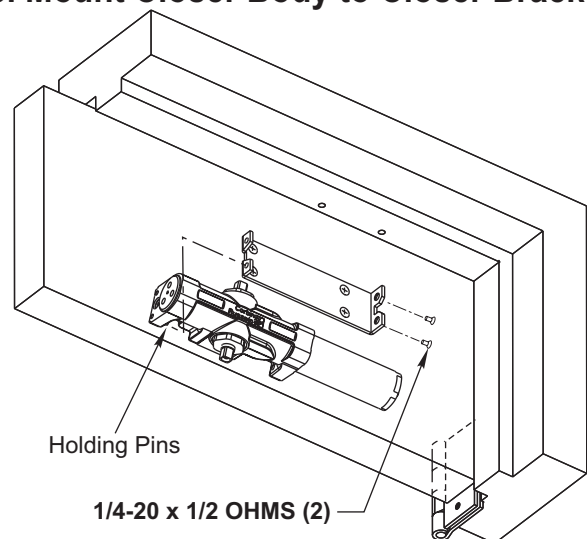
Drill thru 9/32 (7.1) Enlarge to 3/8 (9.5) Dia. This Side Only (4 Places)

DOOR THICKNESS	SEX NUT LENGTH "L"
1-3/8" (35mm)	1-9/32" (33mm)
1-3/4" (44mm) & OVER	1-21/32" (42mm)

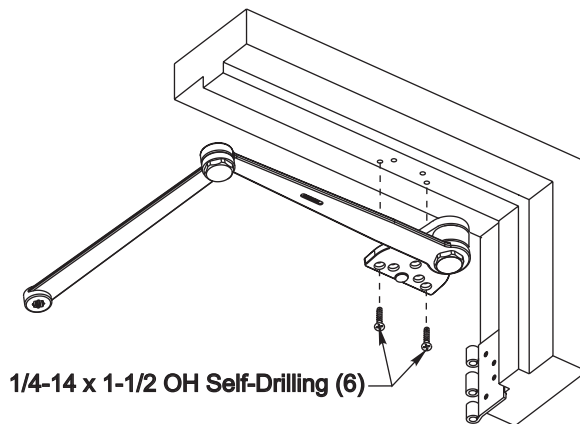
2. Install Closer Bracket



3. Mount Closer Body to Closer Bracket



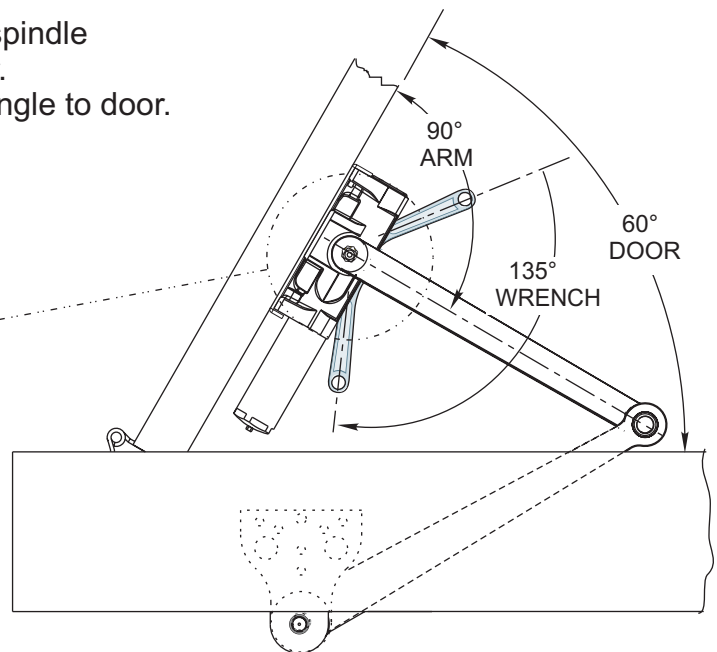
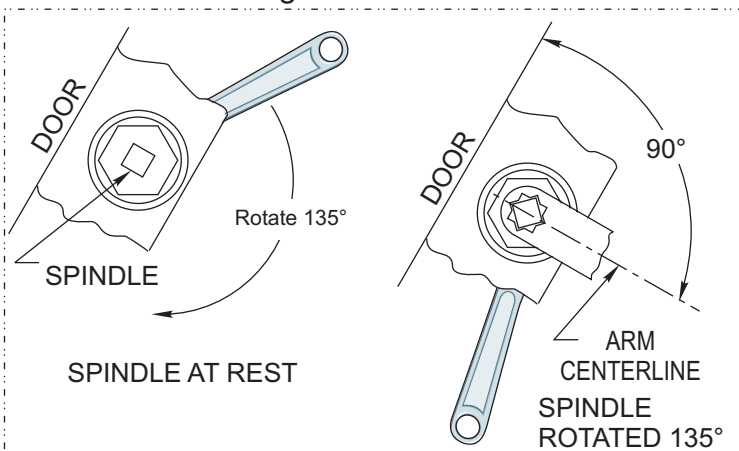
5. Mount Arm to Door Frame



4. Connect Arm To Closer

Using hex wrench provided close, (turn clockwise) CLOSING SPEED VALVE (see page 4 for location on closer). **DO NOT OVER TIGHTEN.**

- Open door to approximately 60°
- Using wrench on underside of spindle, rotate spindle approximately 135° toward hinge edge of door.
- Install arm on spindle at an approximate 90° angle to door.
- Reopen CLOSING SPEED VALVE.
- Install and tighten arm washer and screw



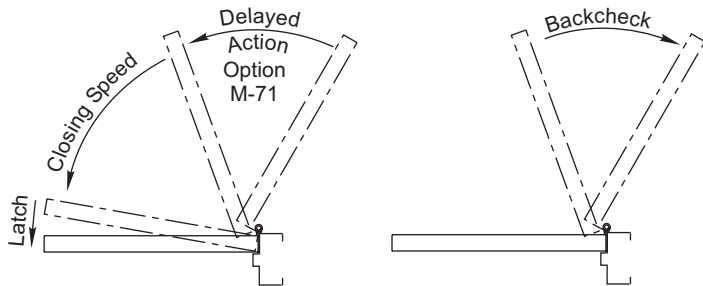
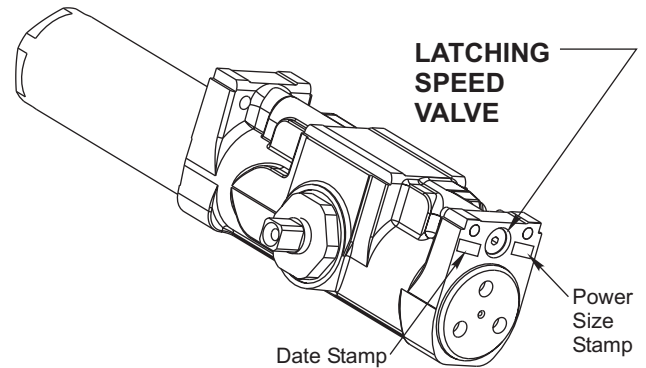
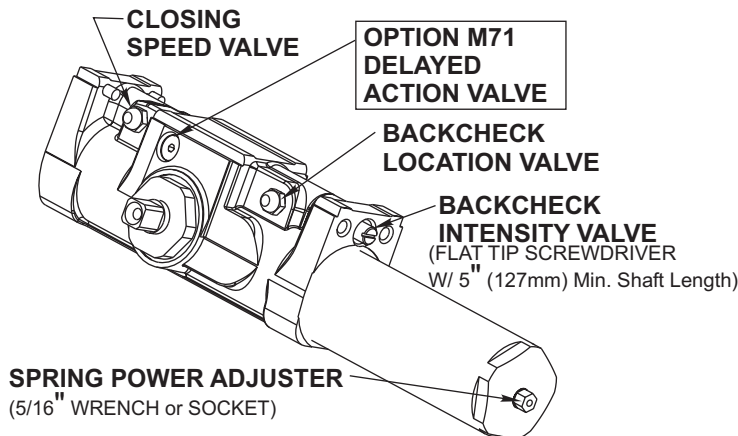
Spring Power Adjustment

Locate spring power adjuster from illustration below
 DC6400 Half Size Adjustment as Desired
 DC6200 Size 1 thru 6 Adjustment See Chart

Interior	Size of Door		No. of Full (360°) Turns Clockwise of Power Adjuster	Equivalent Closer Size (Approx.)
	Exterior In Swing	Exterior Out Swing		
2'4" (712)	2'6" (764)		4	2
2'6" (764)	3'0" (915)		8	3
3'0" (915)	3'6" (1067)	2'6" (764)	12	4
3'6" (1067)	4'0" (1219)	3'0" (915)	16	5

DC6200 SPRING POWER ADJUSTMENT CHART

- All DC6200 closers are factory set at an approximate **Size 3**.
- Adjust closer as necessary for door size using this chart.
- Readjustment may be required to suit prevailing conditions.



Backcheck Location Valve (3/32 Allen Wrench Provided)

Valve is closed, as shipped, from factory. To increase the degree of door opening where backcheck takes effect, turn valve counter-clockwise.

VALVE	OCCURS AT
CLOSED	65°-70°
OPEN	95°-100°

Degrees shown are approximate

Closing Speed Valve (3/32 Allen Wrench Provided)

To adjust speed of door closing from fully open to a position 2" to 5" from closed, turn Closing Speed Valve **CLOCKWISE** to SLOW closing, **COUNTER-CLOCKWISE** to SPEED closing.

Latching Speed Valve (3/32 Allen Wrench Provided)

After closing speed has been obtained, turn latching speed valve **CLOCKWISE** to SLOW latching or **COUNTER-CLOCKWISE** to SPEED latching for last 2" to 5" of door travel.

NOTE: Set combination of CLOSING and LATCHING speeds to between 3 and 7 seconds Use of door by handicapped, elderly or small children may require even greater closing time.

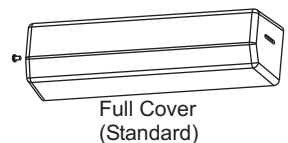
Delayed Action Valve (3/32 Allen Wrench Provided)

Turn valve **CLOCKWISE** to SLOW closing, **COUNTER-CLOCKWISE** to SPEED closing. Delayed action may be adjusted from 20 seconds to 90 seconds, depending on degree of door swing. Delay occurs at the beginning of the door closing cycle from fully open down to 70°, where the closing speed valve then begins its control.

Backcheck Intensity Valve

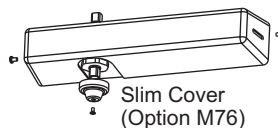
Turn valve **COUNTER-CLOCKWISE** to reduce backcheck or **CLOCKWISE** to increase backcheck. (Backcheck should be set to give a soft cushioning action, not a sudden stop).

Installing Cover



Full Cover (Standard)

Slip cover over closer. Hold tightly against closer mounting surface. Secure on each side with 6-32 x 1/4" PBHMS screws.



Slim Cover (Option M76)

Slim Cover Option M76 only Position spindle cap over unused spindle and secure with 10-32 x 3/8 PTHMS screw.