

# CM-42/CM-48 Series

## Switch Mounting Bollard

### INSTALLATION INSTRUCTIONS



#### THIS PACKAGE INCLUDES:

- 1- CM-42/48 Mounting Bollard
- 1- Black Plastic End Cap with Black Elastic
- 1- Surface Mount Bracket
- 1- Allen Key
- 6- 1/4"-20 x 3/4" Stainless Steel Flat Head Socket Cap Screws
- 4- 1/2 x 3" Anchor Bolt
- 2- #8 x 1/2" Stainless Steel Flat Head Snake Eye Tapping Screws
- 2- #8 x 1/2" Stainless Steel Flat Head Phillips Tapping Screws

## 1. GENERAL DESCRIPTION

The Camden CM-42/48 Series switch post is a durable freestanding bollard suitable for mounting switches, keypads, etc. The switch may be hard-wired through conduit, or RF controlled.

## 2. SPECIFICATIONS

Switch Preps	Single gang, column switch/custom prep.	
RF Capability	Optional transmitter mounts under cap	
Post Cap	1/2" Black Acrylic	
Material	Aluminum or stainless steel	
Mounting	1/2" Lag bolts into concrete or optional in-ground base (10" long 1/2" rebar)	
Finish	Clear or Bronze anodized or mill finish	
Dimensions	CM-42	42" H x 6" W x 6" D (1066.8mm x 152.4mm x 152.4mm)
	CM-48	48" H x 6" W x 6" D (1219.2mm x 152.4mm x 152.4mm)

## 3. INSTALLATION

The post must be installed level and true. If the mounting surface is uneven or out of level, shim the base as required.

Use the base as a template to locate the four mounting holes. If mounting in concrete (recommended) drill 4 x 1/2" holes to accommodate the supplied concrete masonry anchors.

Position the four holes of the base over the four drilled holes in the concrete and tap in one 1/2" masonry anchor through each hole going through the base and into the concrete. Then tighten down the anchor bolts securely.

If installing the CM-42/CM-48 in-ground mounting base, note that at least 10" depth is required for the 1/2" rebar. Support the base level and true while the concrete cures.

Once the base is secure, slide on the post aligning the holes in the post with the base holes. Insert the eight 1/4"-20 stainless steel machine screws with the supplied Allen wrench.

If utilizing radio controls, fix the transmitter to the underside of the cap. Bring the two switch wires out the hole and attach to your switch.

Finally, mount the switch using the supplied stainless steel screws. It is strongly recommended to use a weather resistant modified switch for post mount applications.

## 4. WARRANTY

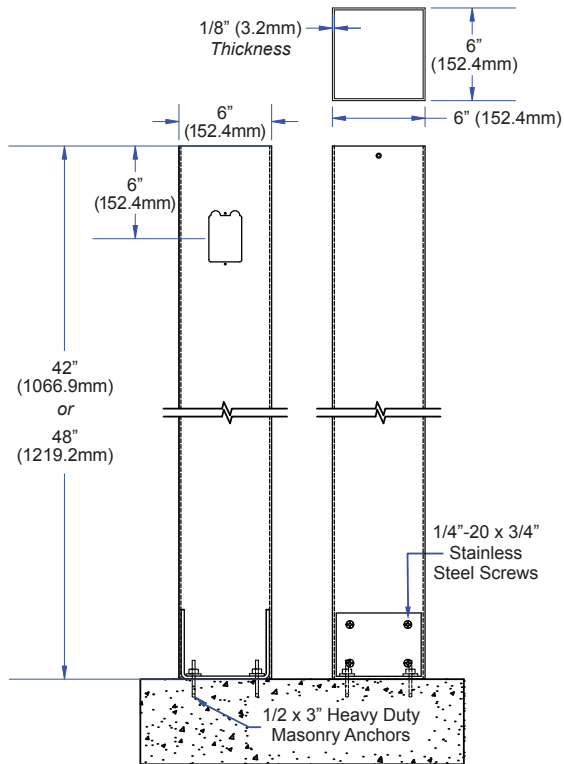
Camden Manufacturing guarantees the CM-42/CM-48 to be free from manufacturing defects for 3 years from date of sale. If during the first 3 years the CM-42/CM-48 fails to perform correctly, it may be returned prepaid to our factory where it will be repaired or replaced (at our discretion) without charge. Except as stated herein, Camden extends no warranties expressed or implied regarding function, performance or service.

# CM-42/CM-48 SERIES SWITCH MOUNTING BOLLARD

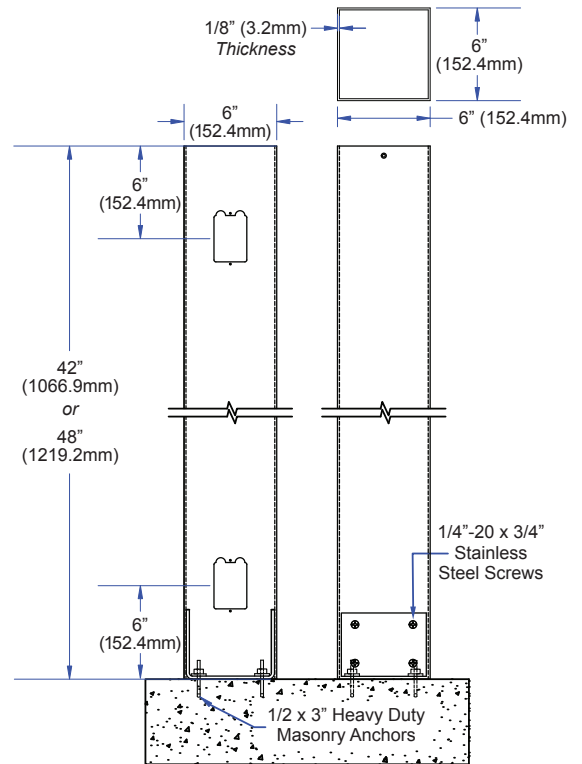
## INSTALLATION INSTRUCTIONS

### 5. POST PREPARATION OPTIONS

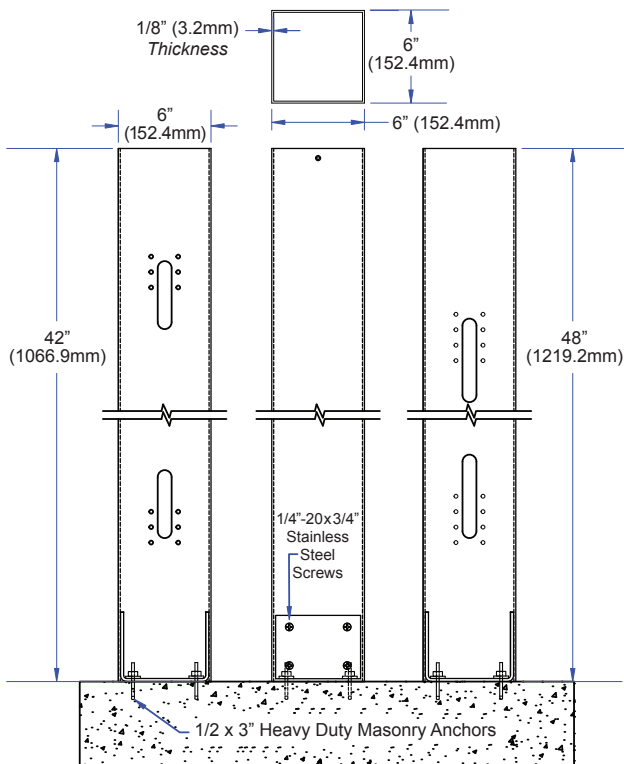
CM-42 or CM-48 Bollard with one Single Gang Prep



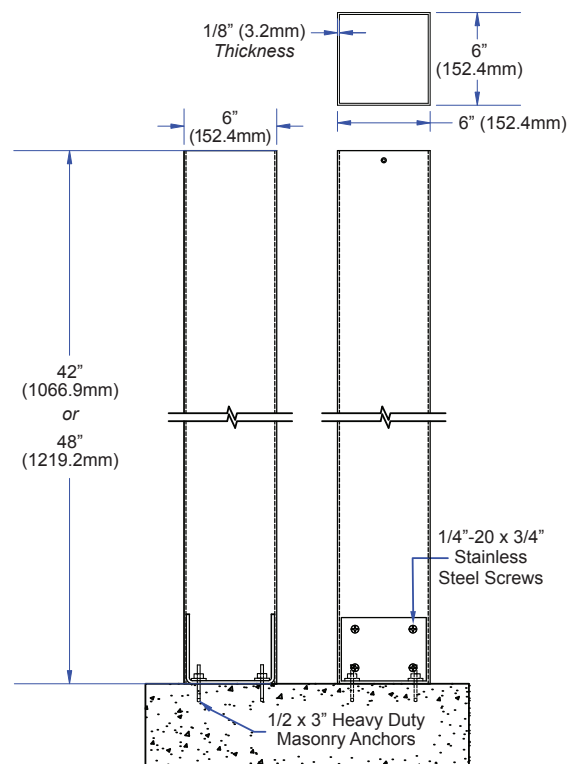
CM-42 or CM-48 Bollard with Two Single Gang Prep



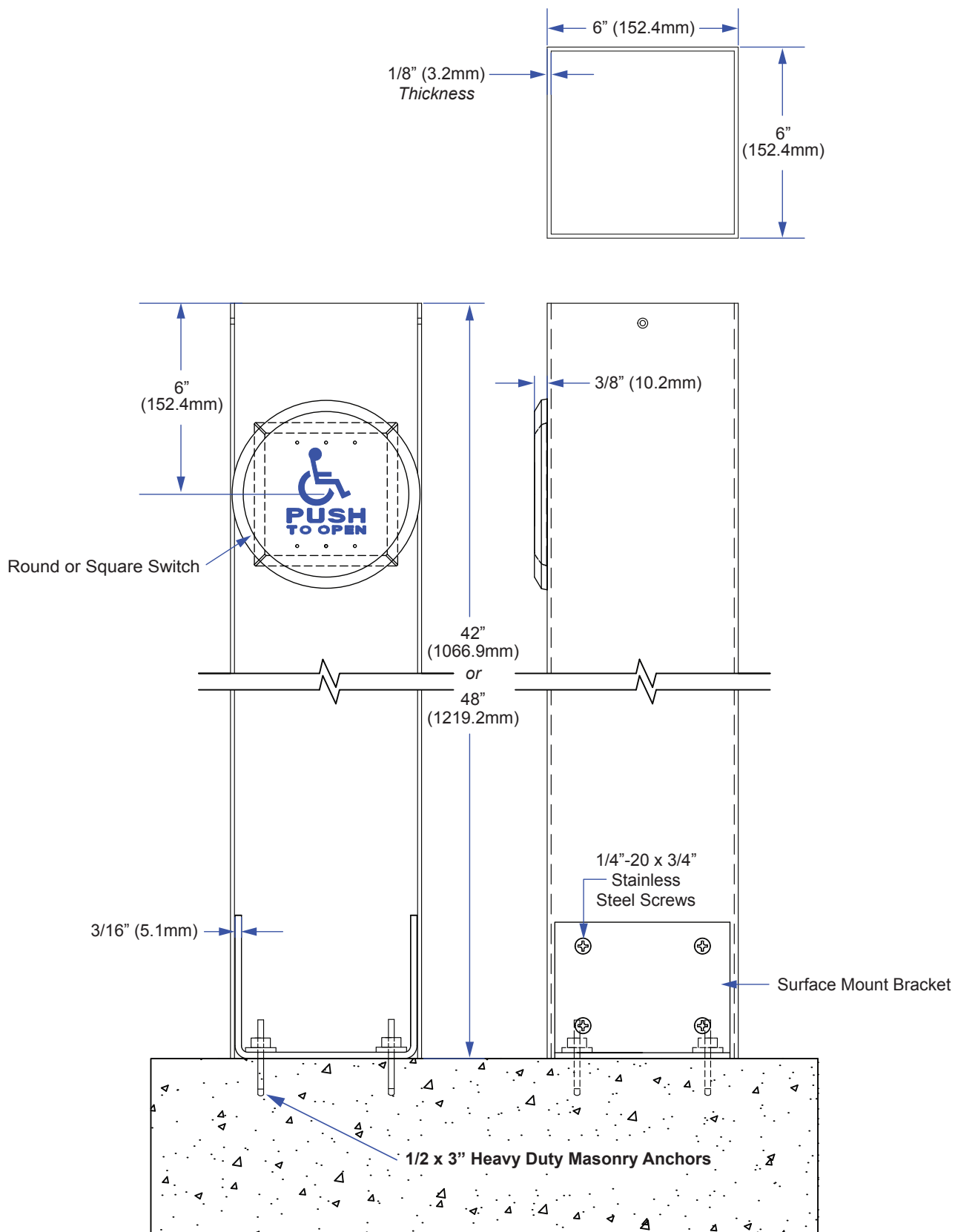
CM-42 or CM-48 Bollard with CM-7536 Column Switch Prep



CM-42 or CM-48 Bollard for Custom Prep



6. SWITCH POST INSTALLATION



## CM-42/CM-48 SERIES SWITCH MOUNTING BOLLARD

### INSTALLATION INSTRUCTIONS

## 7. ORDERING INFORMATION FOR REPLACEMENT PARTS

ORDER INFORMATION				
Item	Part Number	Description		
1	CM-42 / CM-48	42" / 48" Stainless Steel or Aluminum Mounting Bollard		
2	60-42F003	(A) #8 x 1/2" Stainless Steel Flat Head Snake Eye Tapping Screws (2) (B) #8 x 1/2" Stainless Steel Flat Head Phillips Tapping Screws (2) (C) Black Plastic End Cap with Black Elastic		
PARTS KIT				
Item	Part Number	Description		
3	CM-42 & CM-48 Series	(A) Allen Key (B) 1/2 x 3" Anchor Bolt (4) (C) 1/4-20 x 3/4" Stainless Steel Flat Head SOCKET CAP Screws (6)		
	60-40A001	(D) #8 x 1/2" Stainless Steel Flat Head Snake Eye Tapping Screws (2) (E) #8 x 1/2" Stainless Steel Flat Head Phillips Tapping Screws (2) (F) Surface Mount Bracket		
ACTIVE SWITCH OPTIONS (SOLD SEPARATELY)				
Item	Part Number	Material	Description	
4	CM-45 Series	Stainless Steel	4-1/2" Square Faceplate with Different Graphic Options	
	CM-60 Series	Stainless Steel or Brass	6" Round Stainless Steel Faceplate with Different Graphic Options	
	CM-7536	Aluminum, Stainless Steel or Anodized Blue	36" Long Column Switch with Different Graphic Options	
ACTIVE SWITCH GRAPHIC & TEXT OPTIONS				
Item	Part Number	Description		
5	CM-45 & CM-60 Series			
	CM-xxx/1	'Blank' Faceplate		
	CM-xxx/2	'WHEELCHAIR' Symbol, Blue Graphics		
	CM-xxx/2AL	'WHEELCHAIR' Symbol with Arrow Left, Blue Graphics		
	CM-xxx/2AR	'WHEELCHAIR' Symbol with Arrow Right, Blue Graphics		
	CM-xxx/A2	'ACTIVE WHEELCHAIR' Symbol, Blue (CM-45 Series Only)		
	CM-xxx/3	'PUSH TO OPEN' Text, Black Text		
	CM-xxx/3F	'POUSSEZ POUR OUVRIR' Text, Black Text		
	CM-xxx/4	'WHEELCHAIR' Symbol and 'PUSH TO OPEN' Text, Blue Graphics		
	CM-xxx/4F	'WHEELCHAIR' Symbol and 'POUSSEZ POUR OUVRIR' Text, Black Graphics		
	CM-xxx/4AL	'WHEELCHAIR' Symbol and 'PUSH TO OPEN' Text with Arrow Left, Blue Graphics		
	CM-xxx/4AR	'WHEELCHAIR' Symbol and 'PUSH TO OPEN' Text with Arrow Right, Blue Graphics		
	CM-xxx/A4	'ACTIVE WHEELCHAIR' Symbol and 'PUSH TO OPEN' Text, Blue (CM-45 Series Only)		
	CM-xxx/8	'PUSH TO LOCK' Text, Black Text		
	CM-xxx/8B	'LOCK' Symbol and 'PUSH TO LOCK' Text, Red Graphics		
	CM-xxx/8D	'PUSH TO LOCK DOOR' Text, Black Text		
	CM-xxx/8F	'POUSSEZ POUR VERROUILLER' Text, Black Text		
		CM-7536 Series	Description	
		CM-xxx/2	'WHEELCHAIR' Symbol, Blue Graphics	
	CM-xxx/4	'WHEELCHAIR' Symbol and 'PUSH TO OPEN' Text, Blue Graphics		

## 8. MOUNTING BASE TEMPLATE

