

VON DUPRIN®

6400 Series

Modular strike for mortise and cylindrical locksets



Overview

The 6400 electric door strike from Von Duprin is designed to be modular and highly configurable to fit nearly any mortise or cylindrical lock. This versatile strike allows the installer to insert and lock-in the deadbolt keeper or plug and deadlatch ramp anywhere within its $3\frac{1}{8}$ " vertical opening to fit the latch position and functional needs. This, combined with a $\frac{1}{8}$ " horizontal adjustment, makes this easy-to-install design a good fit for installations where misalignment or a tight fit may be a problem.

As a 3-hour UL 10C listed strike, the 6400 Series is intended as a fail-secure only solution for fire-rated openings. Its durability and quality are shown by its grade 1 certification as a heavy-duty stainless steel strike with over 2,000,000 endurance cycles.

Use it as a time-saving, "go to" strike. The 6400 comes ready for use with prewired plug-in connectors for 12 or 24 VDC voltage that can be changed over to 12 or 24 VAC without a converter kit, two faceplates – one each for offset and centerline locks as well as a trim filler plate, mounting tabs and shims and a self-adhesive template for frame cuts. An optional "plug in" latchbolt monitor is also available and can be added in the field at any time after installation.

Features and benefits

- Modular design fits cylindrical and nearly any mortise lock
- Heavy-duty stainless steel construction in BHMA 630 satin finish
- Vertical adjustments allow for alignment with a wide variety of mortise locks with offset latches
- Horizontal adjustment of up to $\frac{1}{8}$ " improves fit on tight door preps
- Can accommodate up to 1" deadbolt (for night latch only)
- Field selectable voltage 12 or 24VDC and 12 to 24VAC
- Plug-in voltage connectors are included for ease of installation and removal during strike servicing
- Optional plug-in latchbolt monitor can be added in the field
- Non-handed, unique internal solenoid design prevents keeper from heating up
- Low current draw (0.19 amps @ 24 VDC)
- Suitable for interior and exterior doors
- 3-hour fire-rated to UL 10C (fail secure only)
- UL 1034 listed for burglary-resistant electric door strikes
- UL 294 listed for access control system
- CSFM California State Fire Marshal listed
- ANSI/BHMA A156.31, Grade 1 certified
- Static strength: 1500 lbs
- Dynamic strength 70 ft-lbs
- Endurance 2,000,000 cycles

Lockset compatibility

Vertical adjustment of the deadbolt keeper or deadlatch ramp allows for alignment with a wide variety of mortise locks with offset latches. Accommodates up to 1" deadbolt* Up to 1/8" horizontal adjustment for misaligned frames.

* Night-latch function only, bolt will not release

Wiring Instructions

Use the appropriate wire harness supplied.

- 12V for 12VDC & 12-24VAC
- 24 for 24VDC only

Attach the red wire to (+) positive of the power supply. Attach the black wire to the (-) negative of the power supply. If using AC power, polarity is not observed.

Note: If a suppression diode is required for access control, observe proper polarity.

Latch monitor wires

- Black = Common (C)
- Blue = Normal Close (NC)
- Orange = Normal Open (NO)

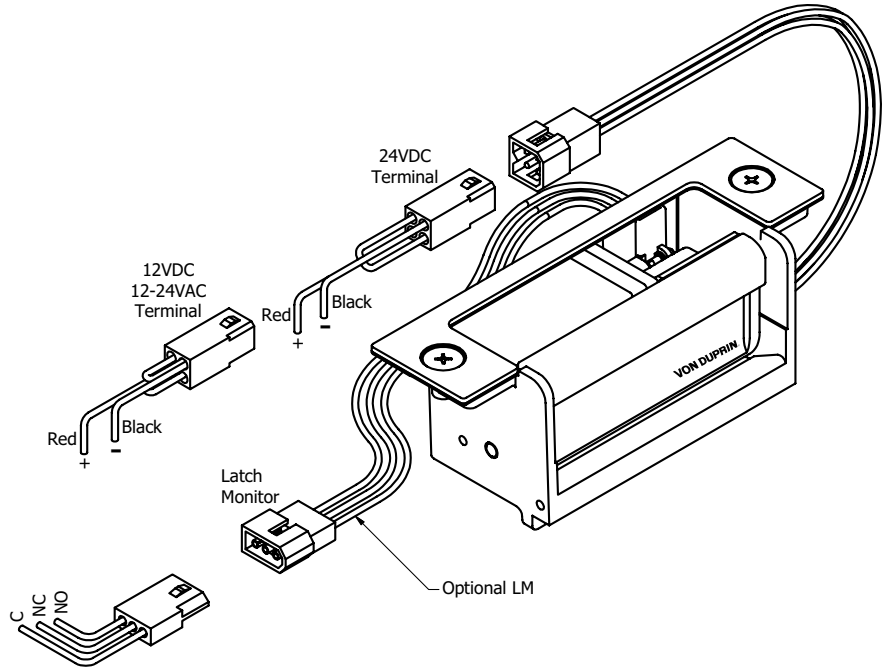
6400 Series power requirements

| Model | Mode | Voltage | Duty | Sound | Amps ¹ | Ohms ² |
|-------|-------------|-----------|--------------|--------|-------------------|-------------------|
| 6400 | Fail-locked | 12 VDC | Continuous | Silent | .375 | 37 |
| 6400 | Fail-locked | 24 VDC | Continuous | Silent | .190 | 148 |
| 6400 | Fail-locked | 12-24 VAC | Intermittent | Buzz | .280 - .565 | 37 |

Intermittent duty = Energized less than 1 min. with duty ratio 1:5; Continuous duty = Energized 1 min. or more.

¹ Ratings are based on maximum current draw at +10°C and include initial power-up current draw.

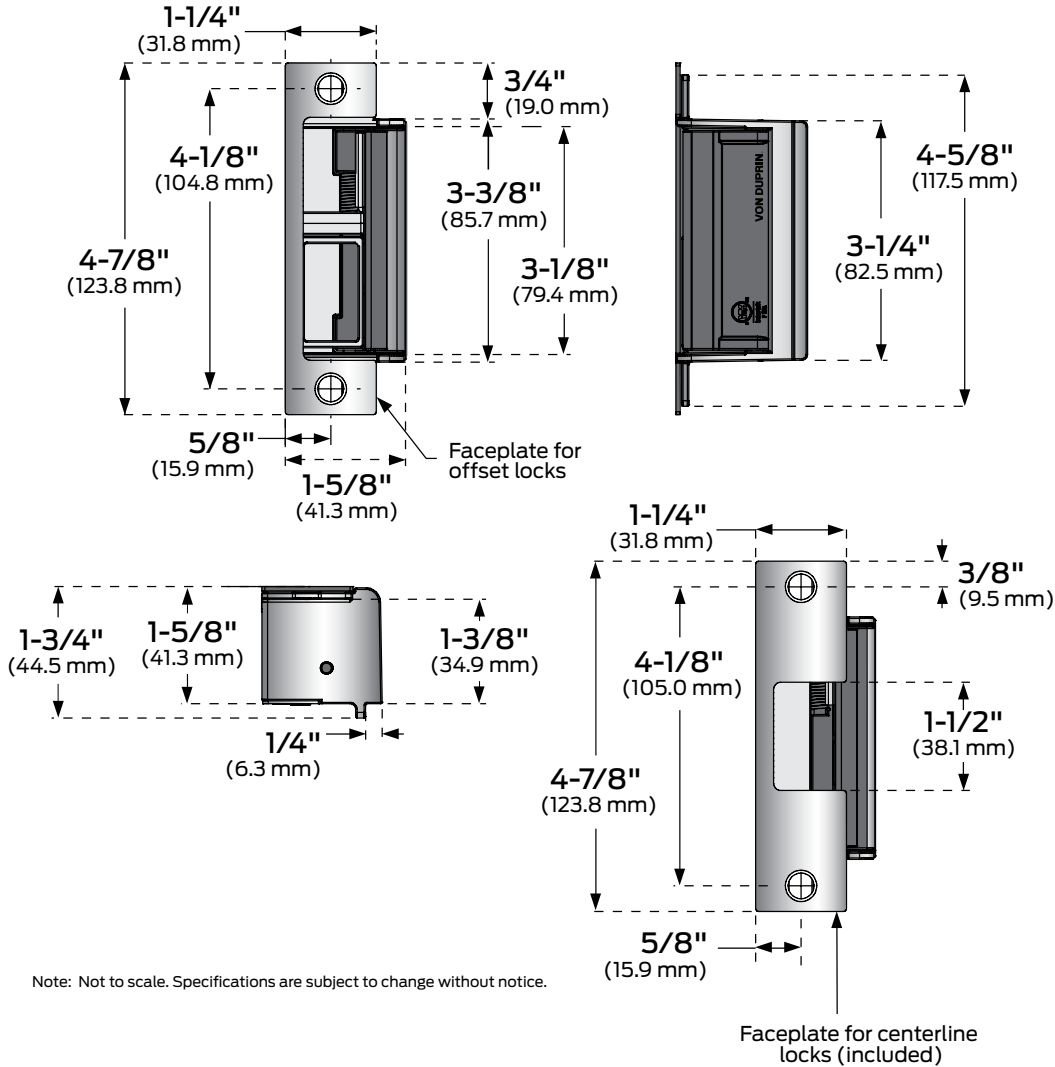
² Nominal resistance at +25°C +/- 7% tolerance.



Model specifications

| | |
|-------------------|---|
| Model number | 6400 |
| Latchbolt throw | 3/4" (also accomodates 1" deadbolt as a nightlatch only - no release) |
| Face plate length | 4 7/8" |
| Backbox depth | 1 3/4" |
| Finish | BHMA 630 / US 32D |
| Lockset | Cylindrical, mortise, mortise exit |
| Number of doors | Single |
| Door/frame type | Hollow metal, aluminum & wood |
| Options | EB (entry buzzer) |
| Certifications | UL 1034 burglary-resistant listed & 3-hour fire rated to UL 10C (fail-secure only) |
| Application notes | Modular electric strike ideal for aftermarket applications. Fail-secure only for fire-rated openings. |

Dimensions



Note: Not to scale. Specifications are subject to change without notice.

Ordering information

6400-EB

| Model | Buzzer* |
|-------|---------|
| 1 | 2 |

* Optional

Selections correspond with the numbers above

| | |
|------|-------------------|
| 1 | Model |
| 6400 | Modular Strike |
| 2 | Buzzer (optional) |
| EB | Entry buzzer |

Accessories

- LM6400 Latchbolt monitor - indicates when door is latched (ships separately)

Standard features

- Power failure mode: Fail-secure only (FSE)
- Voltage: Field selectable 12 or 24 VDC and 12 or 24 VAC voltage
- Finish: Stainless steel, satin (BHMA 630/US 32D)
- Centerline and offset face plates included
- Also includes: two plug-in voltage connectors, self-adhesive template for frame cuts, trim filler plate, mounting tabs and shims, as well as tamper-resistant screws with a security driver bit

This page intentionally left blank.

Allegion, the Allegion logo, Von Duprin and the Von Duprin logo are trademarks of Allegion plc, its subsidiaries and/or affiliates in the United States and other countries. All other trademarks are the property of their respective owners.

About Allegion

Allegion (NYSE: ALLE) is a global pioneer in safety and security, with leading brands like CISA®, Interflex®, LCN®, Schlage®, SimonsVoss® and Von Duprin®. Focusing on security around the door and adjacent areas, Allegion produces a range of solutions for homes, businesses, schools and other institutions. Allegion is a \$2 billion company, with products sold in almost 130 countries. For more, visit www.allegion.com.

aptiQ ■ LCN ■ **SCHLAGE** ■ STEELCRAFT ■ VON DUPRIN



© 2017 Allegion
009011, Rev. 03/17
www.allegion.com/us