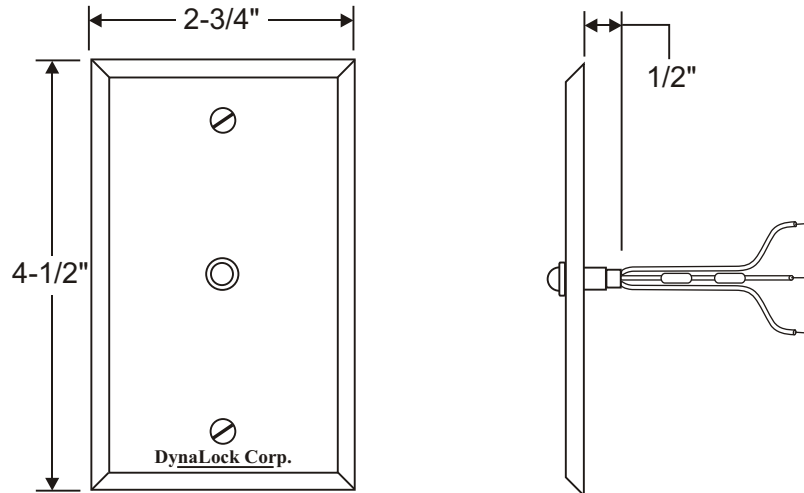
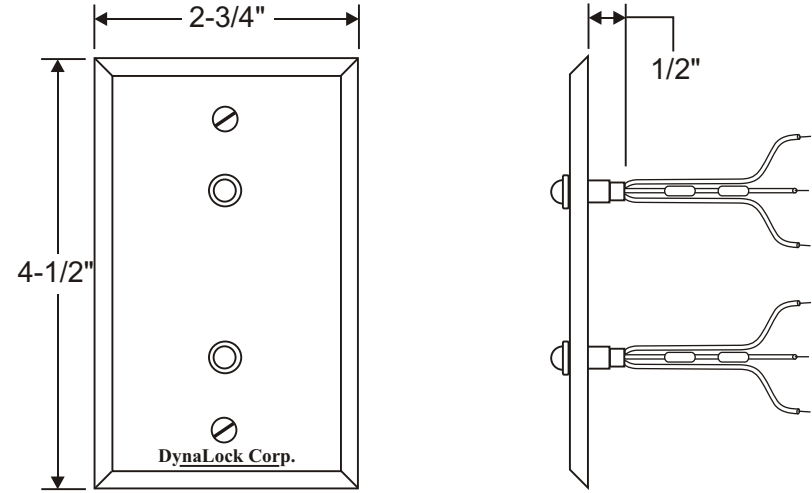


SPECIFICATIONS

#6010



#6020



DESCRIPTION

DYNALOCK MODELS #6010, 6020 INDICATOR STATION FEATURES:

6010 - ONE (1) BI-COLOR LED INDICATOR
 6020 - TWO (2) BI-COLOR LED INDICATORS

MOUNTED ON SINGLE-GANG BRUSHED STAINLESS STEEL FACEPLATE.

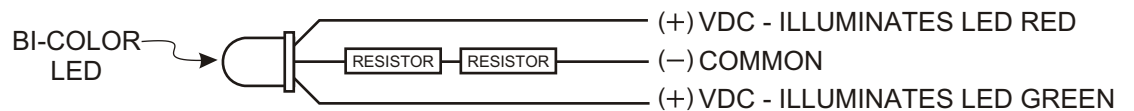
OPERATING VOLTAGE: FIELD-SELECTABLE 12 OR 24 VDC INPUT.

WIRING INFORMATION

EACH BI-COLOR LED CAN DISPLAY IN TWO COLORS - RED OR GREEN AND IS PRE-CONFIGURED TO OPERATE ON 24VDC. FOR 12VDC OPERATION REMOVE THE OUTER RESISTOR FROM THE BLACK WIRE. THE LED MAY BE WIRED TO OPERATE AS FOLLOWS:

APPLYING (+) VDC TO RED WIRE AND (-) TO BLACK WIRE ILLUMINATES LED - RED.

APPLYING (+) VDC TO GREEN WIRE AND (-) TO BLACK WIRE ILLUMINATES LED - GREEN.



DynaLock Corp.
 705 Emmett Street
 Forestville, CT 06010

TITLE
MODEL #6010, #6020 INDICATOR STATIONS

DRN. BY JAS
 DATE 06/06/01
 SCALE —

DWG. NO.
600184-A