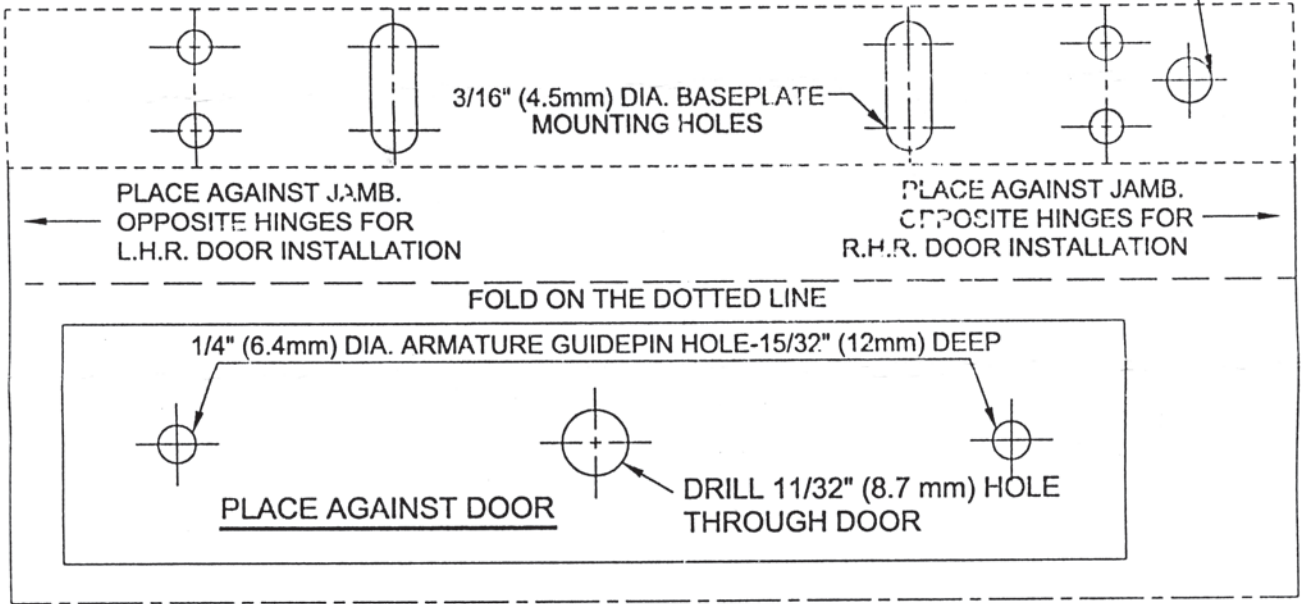


L.S.

PLACE AGAINST HEADER

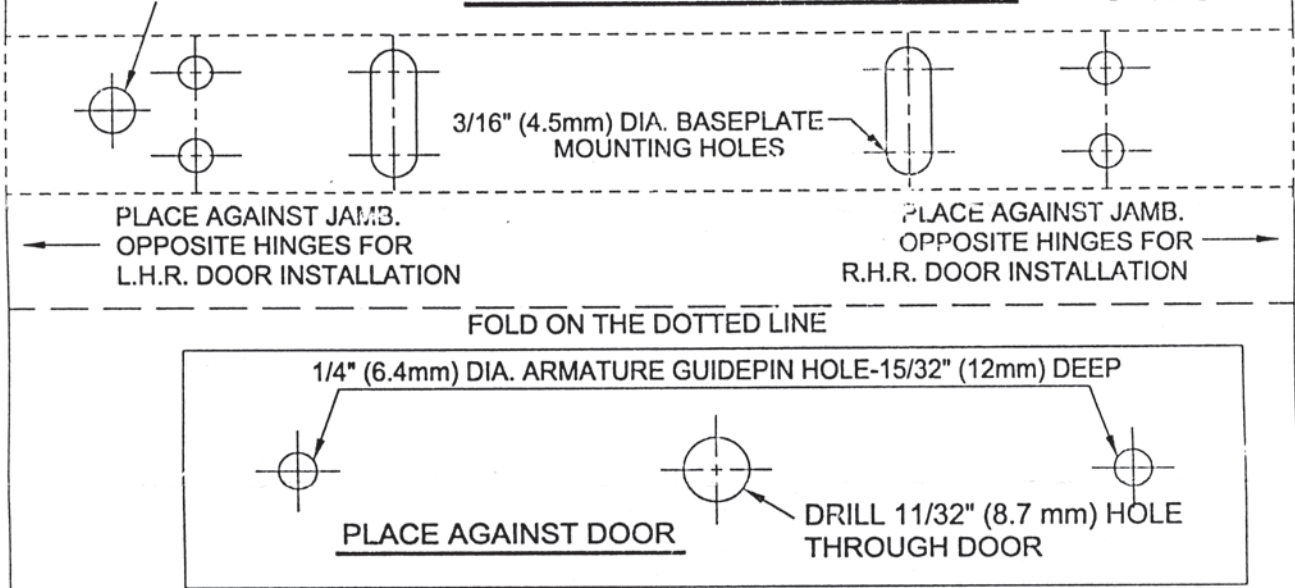
1/4" (6.4mm) DIA. WIRING



1/4" (6.4mm) DIA. WIRING

PLACE AGAINST HEADER

R.S.



MOUNTING INSTRUCTIONS

STEP 1

ARMATURE PLATE MOUNTING :

- Fold TEMPLATE at dotted line.
- Place bottom part of TEMPLATE against door.
- Drill the three holes as indicated.

INSTALLING Armature Plate :

- Mount the Armature to door using one (1) rubber washer between door and armature plate and tighten bolt.

STEP 3

INSTALLING MAGNET :

- Install magnet to mounting plate.
- Install electrical wiring.

STEP 2

MAGNET MOUNTING PLATE :

- Place Template over Armature center hole, mark and drill in header indicated by header part of TEMPLATE
- Mount magnet mounting plate to door header.

WIRE RED  DC 12V or 24V+

WIRE BLACK  DC 12V or 24V-

VOLTAGE SELECTION

FOR 24V



24V

FOR 12V



12V