

FALCON®

19, 24, 25 and
XX series exit
devices

Service manual



Contents

4	Introduction	46	25 Series
4	How to order	47	(F)25 rim exit device
4	Part number changes	49	25-V surface vertical rod exit device
5	19 Series	51	(F)25-V surface vertical rods and latches
6	19 and F-19 rim exit device	53	(F)25-C concealed vertical rod exit device
8	19-V and F-19-V surface vertical rod exit device	55	(F)25-C and F-25-C-WDC-90 concealed vertical rods and latches
10	19-V and F-19-V surface vertical rods and latch cases	57	25-C-WDC and F-25-C-WDC-20 concealed vertical rods and latches
12	19 Series: control trim, knob (911) and lever (912) for rim and vertical device	59	(F)25-M mortise exit device
14	19 Series: control trim, knob (911) and lever (912) dummy for rim and vertical device	61	25 Series trim: lever (510), vandal resistant (vr) lever (511), knob (513)
15	19 Series: control trim (918) for rim and vertical device	63	25 Series trim: lever (510), knob (513)
16	19 Series: Trident trim* (920) and Centron trim* (917, 930)	65	25 Series trim: thumbpiece (512)
16	19 Series: optional equipment	67	25 Series trim: thumbpiece (512)
17	24 Series	69	25 Series trim: delta pull
18	(F)24 rim exit device	70	25 Series trim: FSA/FSE, electric lock/unlock
20	(F)24-V surface vertical rod exit device	71	24/25 Series channel cover plate options
22	(F)24-C concealed vertical rod exit device	72	24/25 Series electrical options
24	(F)24-V surface vertical rods and latches	74	24/25 Series miscellaneous kits and parts
26	(F)24-C and F-24-C-WDC-90 concealed vertical rods and latches	76	Refill parts/packages
28	24-C-WDC and F-24-C-WDC-20 concealed vertical rods latches	77	XX Series
30	24 Series: knob (711) and lever (712) trim—rim and vertical device	78	XX-rim exit device
32	24 Series: knob (711) and lever (712) trim—concealed device	79	F-XX-rim exit device
34	24 Series: knob (711) and lever (712) dummy trim for rim, vertical and concealed device	80	(F)XX-rim center case
36	24 Series: Athena (715) pull and Delta pull (717, 718) trim for rim and vertical device	81	XX-V surface vertical rod exit device
37	24 Series: Delta pull (717, 718) trim for concealed devices	82	F-XX-V surface vertical rod exit device
38	24 Series: Delta (718) trim for rim and vertical device	83	(F)XX-V surface vertical rods and latches
39	24 Series: Delta (718) trim for concealed device	84	XX-C concealed vertical rod exit device
40	24 Series: control pull trim (710) for rim and vertical device	85	F-XX-C concealed vertical rod exit device
41	24 Series: control thumbpiece (710) trim for rim and vertical device	86	(F)XX-C concealed vertical rods and latches
42	24 Series: Delta thumbpiece (718) trim for rim and vertical device	87	(F)XX-C concealed vertical top latches and plates
43	24 Series: Delta thumbpiece (718) trim for concealed device	88	XX-M mortise exit device
44	24 Series: turn lever (719) trim for surface vertical device	89	F-XX-M mortise exit device
45	24 Series: turn lever (719) trim for concealed vertical device	90	(F)XX-M mortise lock
		91	Strikes
		92	Mullions

Introduction

Introduction

This manual contains a listing of replaceable parts and assemblies for the 19, 24, 25 and XX Series exit devices. All products listed meet ANSI A156.3 Grade 1 standards.

How to order

Some parts are sold separately. Other parts are available as part of a kit or multiple quantity package. For the best possible service when ordering replacement parts or assemblies, please provide the following information:

- Part number or assembly number
- Description
- Quantity needed
- Finish desired (available finishes shown below)

BHMA	US	Finish description
605	US3	Brass, bright
606	US4	Brass, satin
612	US10	Bronze, satin
613	US10B	Brass, satin, oxidized, oil rubbed
619	US15	Satin Nickel Plated, clear-coated
622	US19	Dull Black, painted
625	US26	Chromium, bright
626	US26D	Chromium, satin

BHMA	US	Finish description
628	US28	Anodized Aluminum
629	US32	Stainless Steel, polished
630	US32D	Stainless Steel, satin
	643E	
689	SP28	Lacquer Sprayed Aluminum
695	SP313	Sprayed Duranodic
710	313AN	Anodized Duranodic

Part number changes

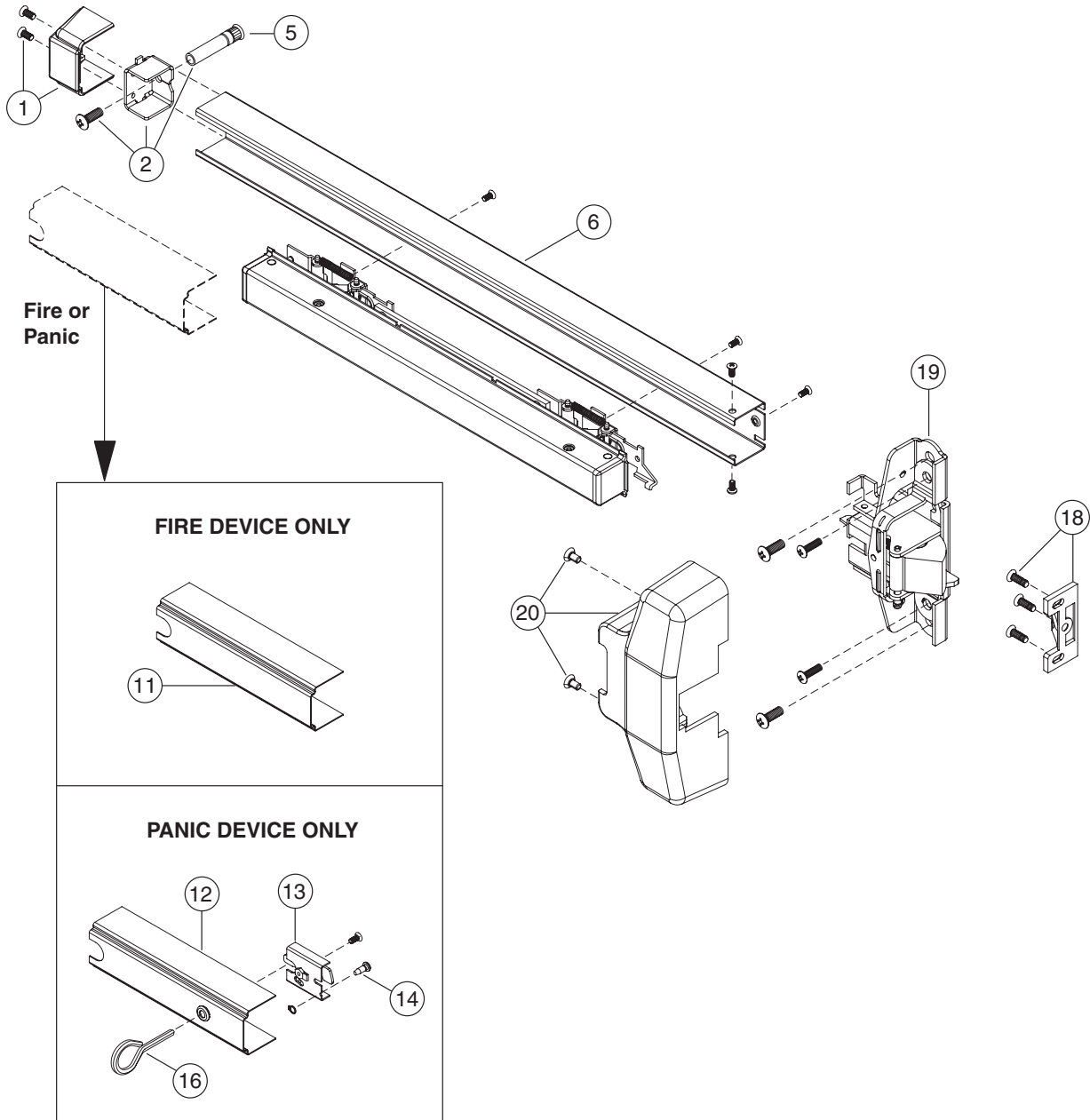
This manual reflects the product as sold in May 2009. Because of changes to the product and/or manufacturing processes, part numbers may change.

19 Series

- 6 19 and F-19 rim exit device
- 8 19-V and F-19-V surface vertical rod exit device
- 10 19-V and F-19-V surface vertical rods and latch cases
- 12 19 Series: control trim, knob (911) and lever (912) for rim and vertical device
- 14 19 Series: control trim, knob (911) and lever (912) dummy for rim and vertical device
- 15 19 Series: control trim (918) for rim and vertical device
- 16 19 Series: Trident trim* (920) and Centron trim* (917, 930)
- 16 19 Series: optional equipment

19 and F-19 rim exit device

Fire and panic



19 Series

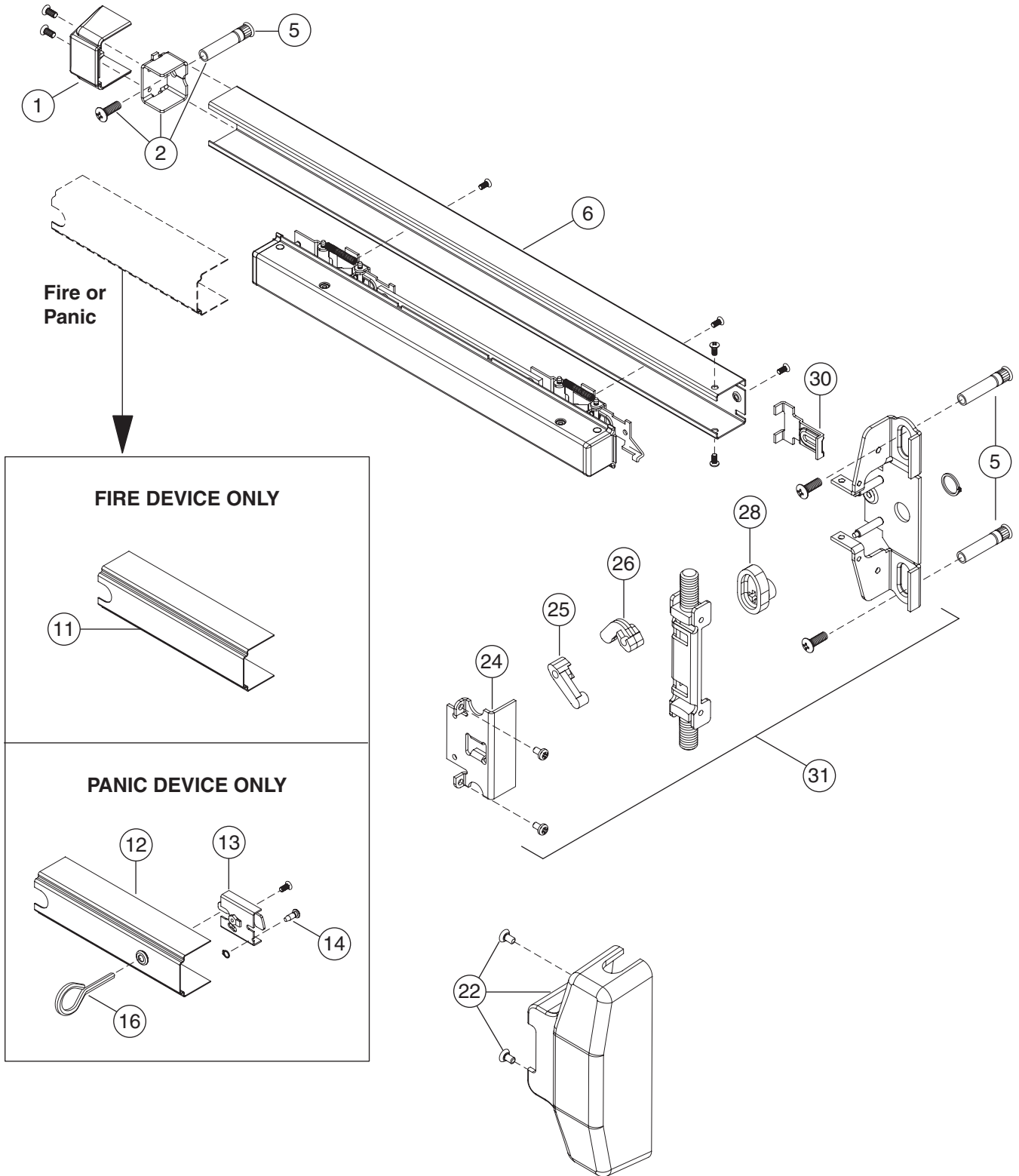
No.	Qty.	Part no.	Description	Notes
1	1	650343	19 Channel End Cap Kit (with screws)	
2	1	650320	19 End Cap Mounting Bracket with SNB	
5	1	4122	Sex Bolt, package of 1, includes machine screw, 1/2 - 20 x 3/4" PPHMS	A
6	1	4107	19 Channel 3' Door	A
	1	4108	19 Channel 4' Door	A
11	1	650360	F-19 Channel Cover Plate 3'	A
	1	650361	F-19 Channel Cover Plate 4'	
12	1	650297	19 Panic Hex Dogging Channel Cover, 4'	A
	1	650303	19 Panic Hex Dogging Channel Cover 3'	A
13	1	610480	19 Panic Dogging Housing	
14	1	060110	19 Panic Dogging Pin (package of 10)	
16	1	060109	19 Panic Hex Dogging Key 7/32" (package of 10)	
18	1	F570	F570 Strike (US19)	
19	1	650307	19-R Center Case Assembly	
		650374	F-19-R Center Case Assembly	
20	1	650384	19-R Center Case Cover Kit (with screws)	
*	1	060123	Electric Option Dogging Screw (package of 10)	
*	1	060124	K/L/TL Trim Lock Nut (package of 10)	
*	1	650328	19-R Mounting Package	
*	1	650329	F-19-R Mounting Package	

* Item(s) not shown

A Specify by finish: US32D or SP28/SP313

19-V and F-19-V surface vertical rod exit device

Panic and fire



19 Series

No.	Qty.	Part no.	Description	Notes
1	1	650343	19 Channel End Cap Kit (with screws)	
2	1	650320	19 End Cap Mounting Bracket with SNB	
5	1	4122	Sex Bolt, package of 1, includes machine screw (1/2 - 20 x 3/4" PPHMS)	A
6	1	4107	19 Channel 3' Door	A
	1	4108	19 Channel 4' Door	A
11	1	650360	F-19 Channel Cover Plate 3'	A
	1	650361	F-19 Channel Cover Plate 4'	A
12	1	650297	19 Panic Hex Dogging Channel Cover 4'	A
	1	650303	19 Panic Hex Dogging Channel Cover 3'	A
13	1	610480	19 Panic Dogging Housing	
14	1	060110	19 Panic Dogging Pin (package of 10)	
16	1	060109	19 Panic Hex Dogging Key 7/32" (package of 10)	
22	1	650385	19-V Center Case Cover Kit (with screws)	
25	1	650392	19-V Center Case Slidebar Lever	
26	1	650391	19-V Center Case Drawbar Lever	
28	1	650393	19-V Center Case Retractor Cam	
30	1	650390	19-V Drawbar	
31	1	650308	19-V Center Case LHR	
	1	650309	19-V Center Case RHR	
*	1	650330	19-V Mounting package	
*	1	650331	F-19-V Mounting package	

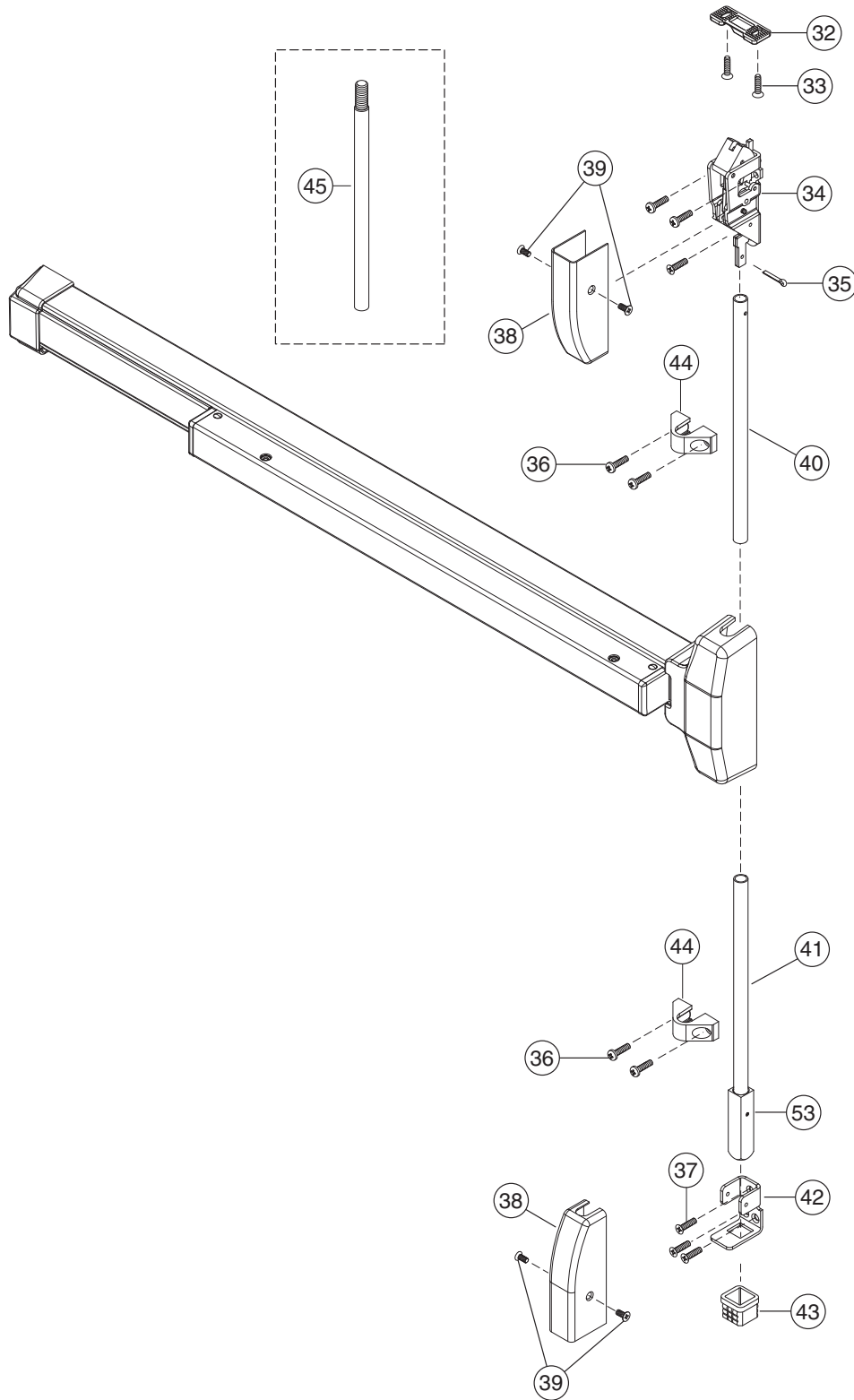
* Item(s) not shown

A Specify by finish: US32D or SP28/SP313

19 Series

19-V and F-19-V surface vertical rods and latch cases

Panic and fire



19 Series

No.	Qty.	Part no.	Description	Notes
32	1	3788	Vertical Rod Top Strike	*
33	2	660002	#10 x 1¼" FPHSMS	
34	1	650389	19-V Top Latch Case	
35	1	060111	1/8" x 1" Cotter Key package of 10	
36	1	060114	Rod Guide Screws package of 10	
37	1	060113	Latch Screw package of 10	
38	2	650388	19-V Latch Case Cover Kit (with screws)	A
39	1	650337	19-V Latch Case Cover Mounting package of 4	
40	1	4286	19 Top Rod	
41	1	4288	19 Bottom Rod	
42	1	650387	Bottom Bolt Guide (screws not included)	
43	1	2130	Vertical Rod Bottom Strike	
44	2	650386	Rod Guide Kit (with screws)	
45	1	650006	19/24/25/XX-V Extension Rod 12"	A
45	1	650007	19/24/25/XX-V Extension Rod 24"	A
45	1	650008	19/24/25/XX-V Extension Rod 36"	A
53	1	610045	(F)19-V Bottom Bolt Assembly	

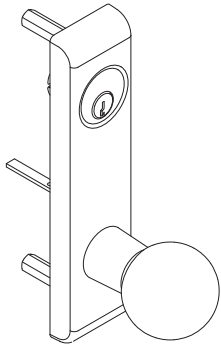
* For Flush Transom applications, specify part number 4215-019 angle bracket

A Specify by finish: US32D or SP28/SP313

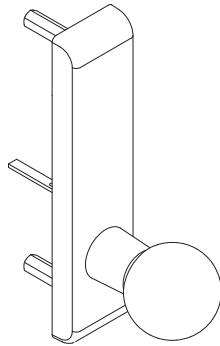
19 Series

19 Series: control trim, knob (911) and lever (912) for rim and vertical device

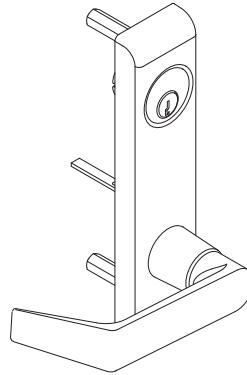
911K, 911K-NL, 912L-BE and 912L-NL



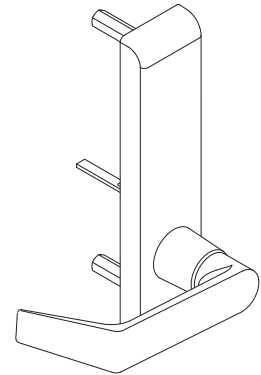
911K
911K-NL



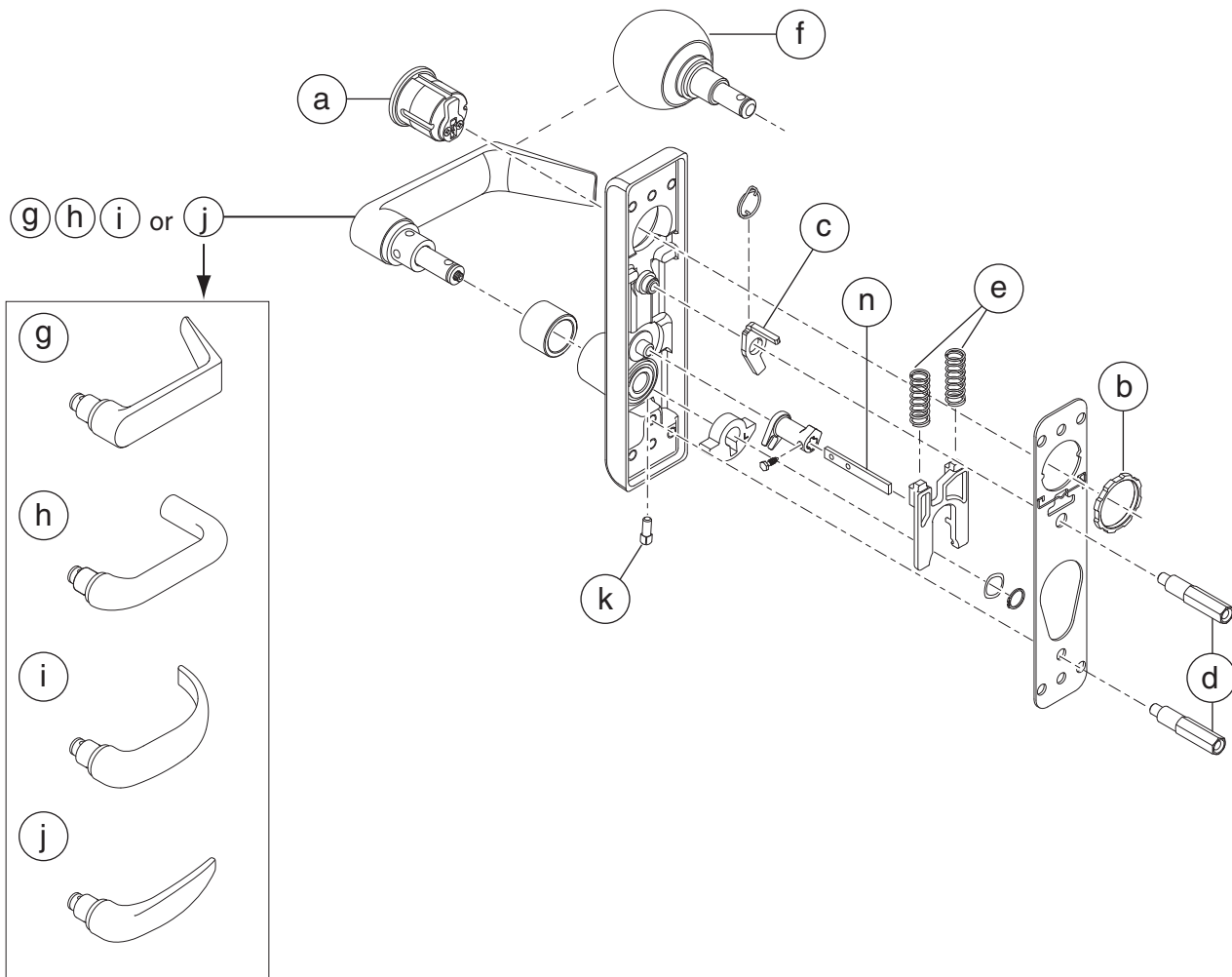
911K-BE



912L
912L-NL



912L-BE



19 Series

No.	Qty.	Part no.	Description	Notes
a	1	986	1¼ " Mortise Cylinder (US3, US4, US10, US10B, US26, US32, US32D)	A
b	1	050526	Cylinder Locknut package	
c	1	650314	700/900 Locking Plate	
d	2	4270	900 Series Hex Stud	
e	1	661565	700/900 Series Lever Actuator Spring	
	1	661587	700/900 Series Knob Actuator Spring	
f	1	600298	711 Knob Assembly	A
g	1	600299	712 Dane Lever	A
h	1	600300	712 Sutro Lever	A
i	1	600301	712 Quantum Lever	A
j	1	600337	712 Avalon Lever	A
k	1	600283	Shear Pin, package of 5	
n	1	650371	Tailpiece package 1¾ " Door	
	1	650372	Tailpiece package 2¼ " Door	

A Specify by finish shown

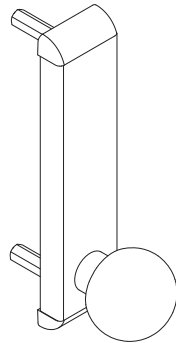
Specifications:

Escutcheon:	1¾" x 7¼"
Knob Projection:	4"
Lever Projection:	Dane 2¼"
	Quantum 3⅛"
	Sutro 2⅞"
	Avalon 3¼"

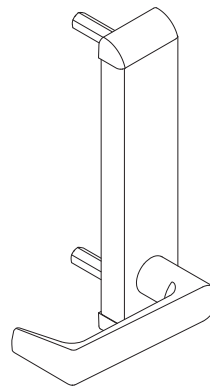
19 Series

19 Series: control trim, knob (911) and lever (912) dummy for rim and vertical device

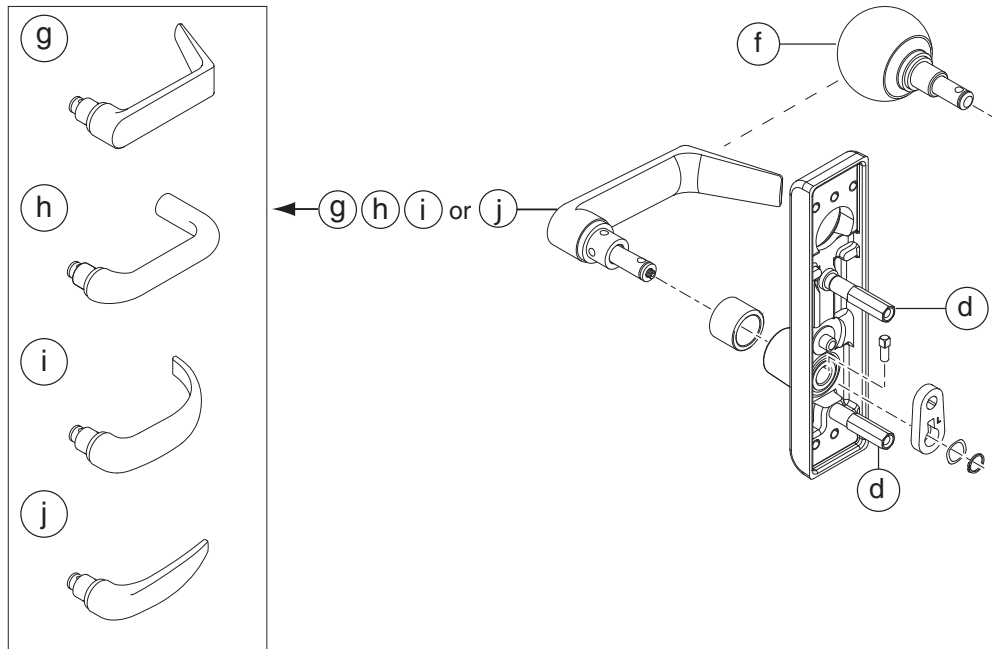
911K-DT and 912L-DT



911K-DT



912L-DT



No.	Qty.	Part no.	Description	Notes
d	2	4270	900 Series Hex Stud	
f	1	600298	711 Knob Assembly	A
g	1	600299	712 Dane Lever	A

No.	Qty.	Part no.	Description	Notes
h	1	600300	712 Sutro Lever	A
i	1	600301	712 Quantum Lever	A
j	1	600337	712 Avalon Lever	A

A Specify by finish shown

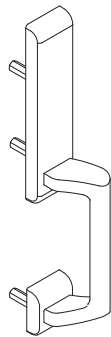
Specifications:

Escutcheon:	1¾" x 7¼"
Knob Projection:	4"
Lever Projection:	Dane 2¼"
	Quantum 3⅛"
	Sutro 2 ¹³ / ₁₆ "
	Avalon 3¼"

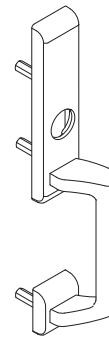
19 Series

19 Series: control trim (918) for rim and vertical device

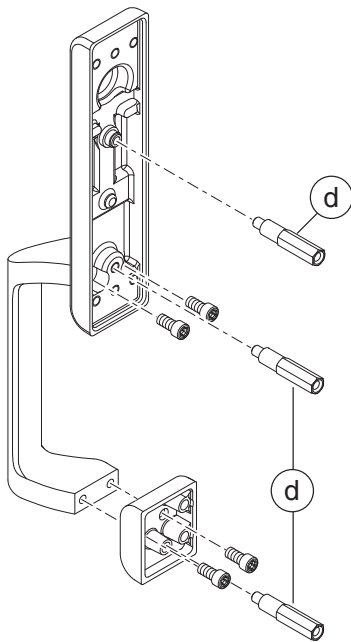
918DT and 918NL



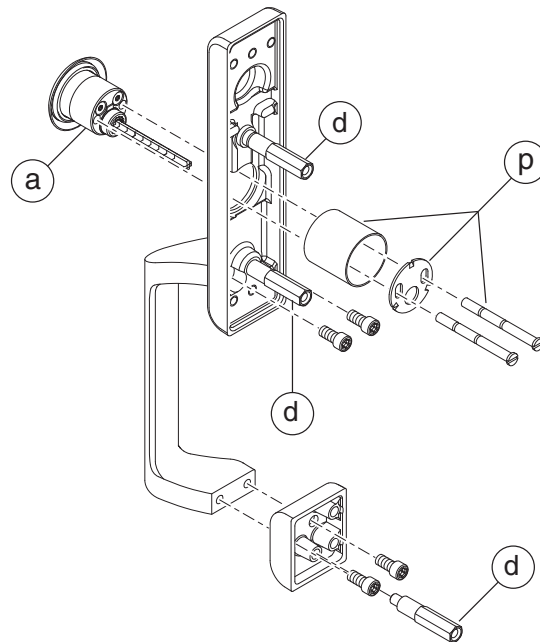
918DT



918NL



918DT



918NL

No.	Qty.	Part no.	Description	Notes
a	1	951	Rim Cylinder (US3, US4, US10, US10B, US26, US32, US32D)	A
d	3	4270	900 Series Hex Stud	
p	1	600166	918NL Cylinder Mounting package	

A Specify by finish shown

Specifications:

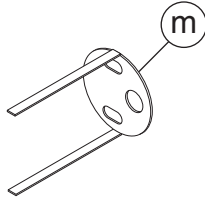
Escutcheon: 1¾" x 7¼"
 Projection: 2"
 Overall Length: 13"

19 Series

19 Series: Trident trim* (920) and Centron trim* (917, 930)

Trident: 920DT, 920NL

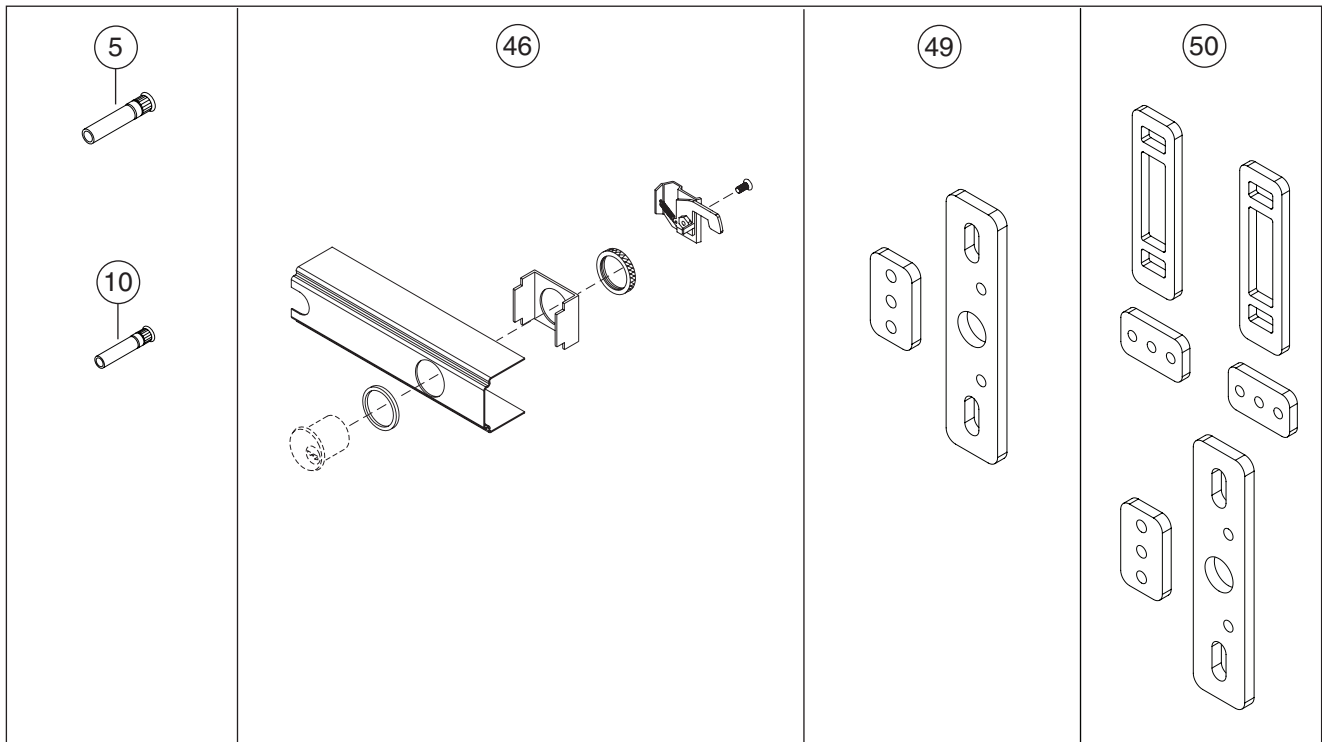
Centron: 917DT, 930EO, 930DT, 930NL and 930C



No.	Qty.	Part no.	Description	Notes
m	1	600315	920/930 Cylinder Anchor	

* Item(s) not shown

19 Series: optional equipment



No.	Qty.	Part no.	Description	Notes
5	1	4122	Sex Bolt, package of 1, includes machine screw (1/2" - 20 x 3/4" PPHMS)**	A
10	1	2729P	Sex Bolt, package of 1, includes machine screw (#10-24 x 3/4" PPHMS)***	A
	1	2729F	Sex Bolt, package of 1, includes machine screw (#10-24 x 3/4" PPHMS)***	A

No.	Qty.	Part no.	Description	Notes
46	1	650060	19 Cylinder Dogging Kit 3' device	B
	1	650063	19 Cylinder Dogging Kit 4' device	B
49	1	650022	19-R 1/4" Rim Shim Kit	
50	1	650023	19-V 1/4" Surface Vertical Shim Kit	

** Sold individually, for center case (2)

*** Sold individually, for surface vertical latches (3)

A Specify by finish: US10B or US26D

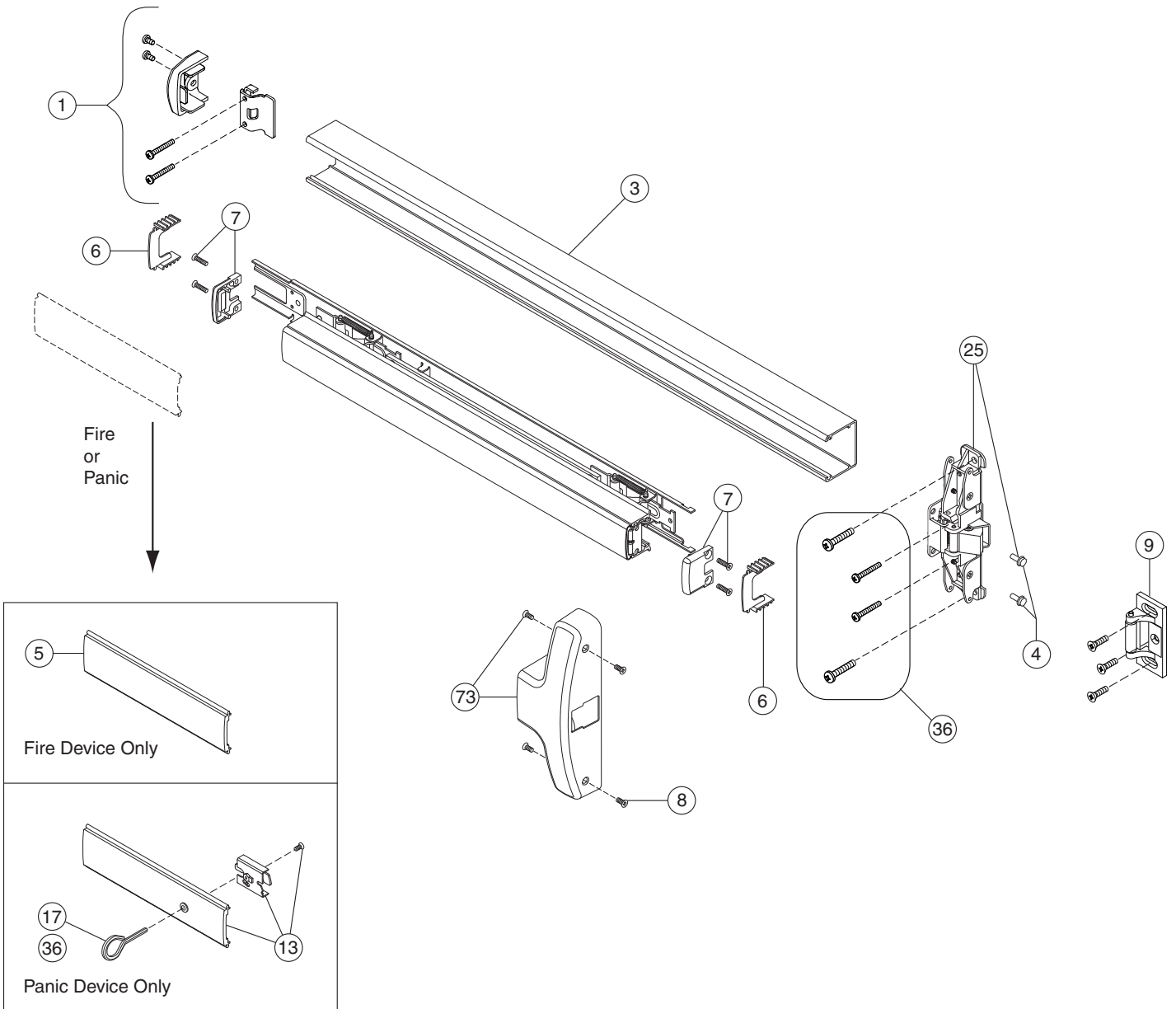
B Specify by finish: US28 or SP313

24 Series

- 18 (F)24 rim exit device
- 20 (F)24-V surface vertical rod exit device
- 22 (F)24-C concealed vertical rod exit device
- 24 (F)24-V surface vertical rods and latches
- 26 (F)24-C and F-24-C-WDC-90 concealed vertical rods and latches
- 28 24-C-WDC and F-24-C-WDC-20 concealed vertical rods latches
- 30 24 Series: knob (711) and lever (712) trim—rim and vertical device
- 32 24 Series: knob (711) and lever (712) trim—concealed device
- 34 24 Series: knob (711) and lever (712) dummy trim for rim, vertical and concealed device
- 36 24 Series: Athena (715) pull and Delta pull (717, 718) trim for rim and vertical device
- 37 24 Series: Delta pull (717, 718) trim for concealed devices
- 38 24 Series: Delta (718) trim for rim and vertical device
- 39 24 Series: Delta (718) trim for concealed device
- 40 24 Series: control pull trim (710) for rim and vertical device
- 41 24 Series: control thumbpiece (710) trim for rim and vertical device
- 42 24 Series: Delta thumbpiece (718) trim for rim and vertical device
- 43 24 Series: Delta thumbpiece (718) trim for concealed device
- 44 24 Series: turn lever (719) trim for surface vertical device
- 45 24 Series: turn lever (719) trim for concealed vertical device

(F)24 rim exit device

Panic and fire



24 Series

No.	Qty.	Part no.	Description	Package contents	Notes
1	1	650294	24 Channel Endcap Kit 1¾" Door	1- Channel Endcap	A
				2- #10-24 x ¾" PPHMS	
				1- Channel Endcap Bracket	
				2- #10-24 x 1" PPHMS	
				2- #10 x 1¼" PPHSMS	
		650348	24 Channel Endcap Kit 2¼" Door	1- Channel Endcap	A
				2- #10-24 x ¾" PPHMS	
				1- Channel Endcap Bracket	
				2- #10-24 x 1" PPHMS	
				2- #10 x 1¼" PPHSMS	
3	1	661408	24 Channel 3'		A
		661409	24 Channel 4'		
4	1	600305	24 Channel Screw Pkg	10- #10-16 x ½" Hex Washer Head Taptite	
5	1	650121	F-24 Channel Cover 3'		A, B
		650122	F-24 Channel Cover 4'		
6	1	600319	24 Pushbar Guide Pkg	2- Pushbar Guide	
7	1	600310	24 Pushbar Endcap Kit	2- Pushbar Endcap 4- #8-18 x ¾" FPHSMS	A
8	1	600307	Center Case Cover Screw Pkg	4- #8-18 x ¾" UFPHMS	A
9	1	299	299 Strike		C
13	1	650187	24 Hex Dogging Kit 3'	1- Panic Channel Cover 1- Dogging Subassembly	A, B
		650188	24 Hex Dogging Kit 4'	1- #8-32 x ¾" UFPHMS	
17	1	060109	24 Panic Hex Dogging Key 7/32" package of 10		
25	1	650233	24-R Center Case Kit	1- Center Case	
		650234	F-24-R Center Case Kit	2- #10-16 x ½" Hex Washer Head Taptite	
36	1	650324	(F)24-R Mounting Pkg 1¾" Door	2- #10 x 1¼" PPHSMS	*
				2- #14 x 1" PPHSMS	*
				2- 1/4 - 20 x ¾" PPHMS	
				2- 10-24 x 1½" PPHMS	
				1- Dogging Key	
	1	650302	(F)24-R Mounting Pkg 2¼" Door	2- #10 x 1¼" PPHSMS	*
				2- #14 x 1" PPHSMS	*
				2- 1/4 - 20 x 1¼" PPHMS	*
				2- #10-24 x 2" PPHMS	*
73	1	650247	24-R Center Case Cover Kit	1- Center Case Cover	A
		650249	F-24-R Center Case Cover Kit	4- #8-18 x ¾" UFPHMS	

* Item(s) not shown

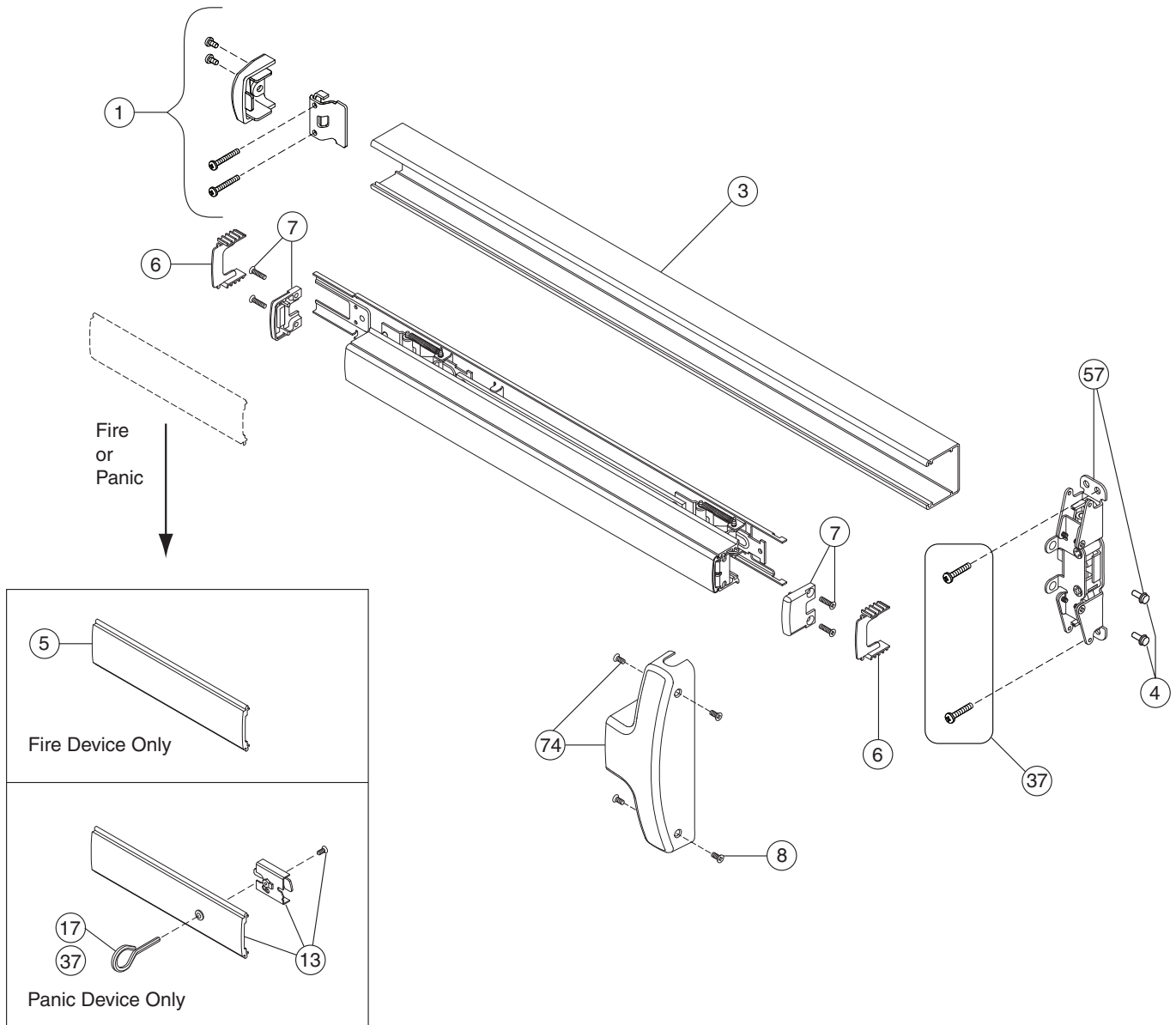
A Specify by finish: US3, US4, US10, 313AN, US26, US32, US26D, US32D, US28

B Channel Covers for CD, EA, HWEA, KOR, see **page 74**

C Specify by finish: US3, US4, US10, US19, US26, US26D, SP313

(F)24-V surface vertical rod exit device

Panic and fire



24 Series

No.	Qty.	Part no.	Description	Package contents	Notes
1	1	650294	24 Channel Endcap Kit 1¾" Door	1- Channel Endcap	A
				2- #10-24 x ¾" PPHMS	
				1- Channel Endcap Bracket	
				2- #10-24 x 1" PPHMS	
				2- #10 x 1¼" PPHSMS	
1	1	650348	24 Channel Endcap Kit 2¼" Door	1- Channel Endcap	A
				2- #10-24 x ¾" PPHMS	
				1- Channel Endcap Bracket	
				2- #10-24 x 1" PPHMS	
				2- #10 x 1¼" PPHSMS	
3	1	661408	24 Channel 3'		A
		661409	24 Channel 4'		
4	1	600305	24 Channel Screw Pkg	10- #10-16 x ½" Hex Washer Head Taptite	
5	1	650121	F-24 Channel Cover 3'		A, B
		650122	F-24 Channel Cover 4'		
6	1	600319	24 Pushbar Guide Pkg	2- Pushbar Guide	
7	1	600310	24 Pushbar Endcap Kit	2- Pushbar Endcap	A
				4- #8-18 x ¾" FPHSMS	
8	1	600307	Center Case Cover Screw Pkg	4- #8-18 x ¾" UFPHMS	A
13	1	650187	24 Hex Dogging Kit 3'	1- Panic Channel Cover	A, B
		650188	24 Hex Dogging Kit 4'	1- Dogging Subassembly 1- #8-32 x ¾" UFPHMS	
17	1	060109	24 Panic Hex Dogging Key 7/32" package of 10		
37	1	650304	24-V Mounting Pkg 1¾" - 2¼" Door	4- #10 x 1¼" PPHSMS	*
				2- #10 x 1¼" FPHSMS	*
				2- #14 x 1" PPHSMS	*
				1- ⅛ x 1" Cotter Key	*
				1- Dogging Key	
		650325	F-24-V Mounting Pkg 1¾" Door	2- #10-24 x ¾" PPHMS	*
				4- #10-24 x ¾" FPHMS	*
				2- 1/4-20 x ¾" PPHMS	
				1- ⅛ x 1" Cotter Key	*
		650201	F-24-V Mounting Pkg 2¼" Door	2- #10-24 x 1¼" PPHMS	*
				4- #10-24 x 1¼" FPHMS	*
				2- 1/4-20 x 1¼" PPHMS	*
1- ⅛" x 1" Cotter Key	*				
57	1	650236	(F)24-V Center Case Kit	1- Center Case	A
				2- #10-16 x ½" Hex Washer Head Taptite	
74	1	650251	(F)24-V Center Case Cover Kit	1- Center Case Cover	A
				4- #8-18 x ¾" UFPHMS	

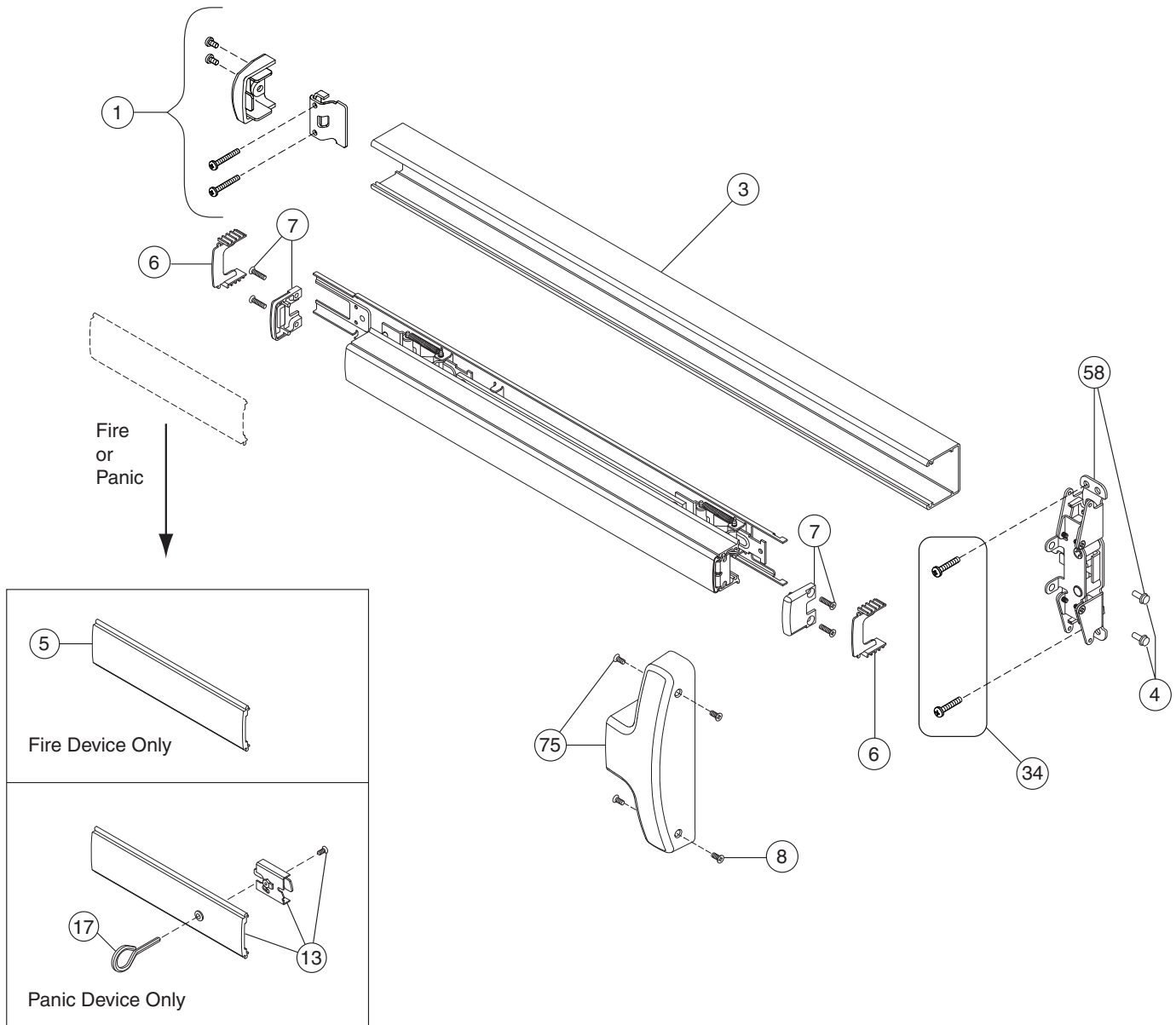
* Item(s) not shown

A Specify by finish: US3, US4, US10, 313AN, US26, US32, US26D, US32D, US28

B Channel Covers for CD, EA, HWEA, KOR, shown on page 74

(F)24-C concealed vertical rod exit device

Panic and fire



Note: (F)24-C Mounting Package(s) shown on **page 26**.

24 Series

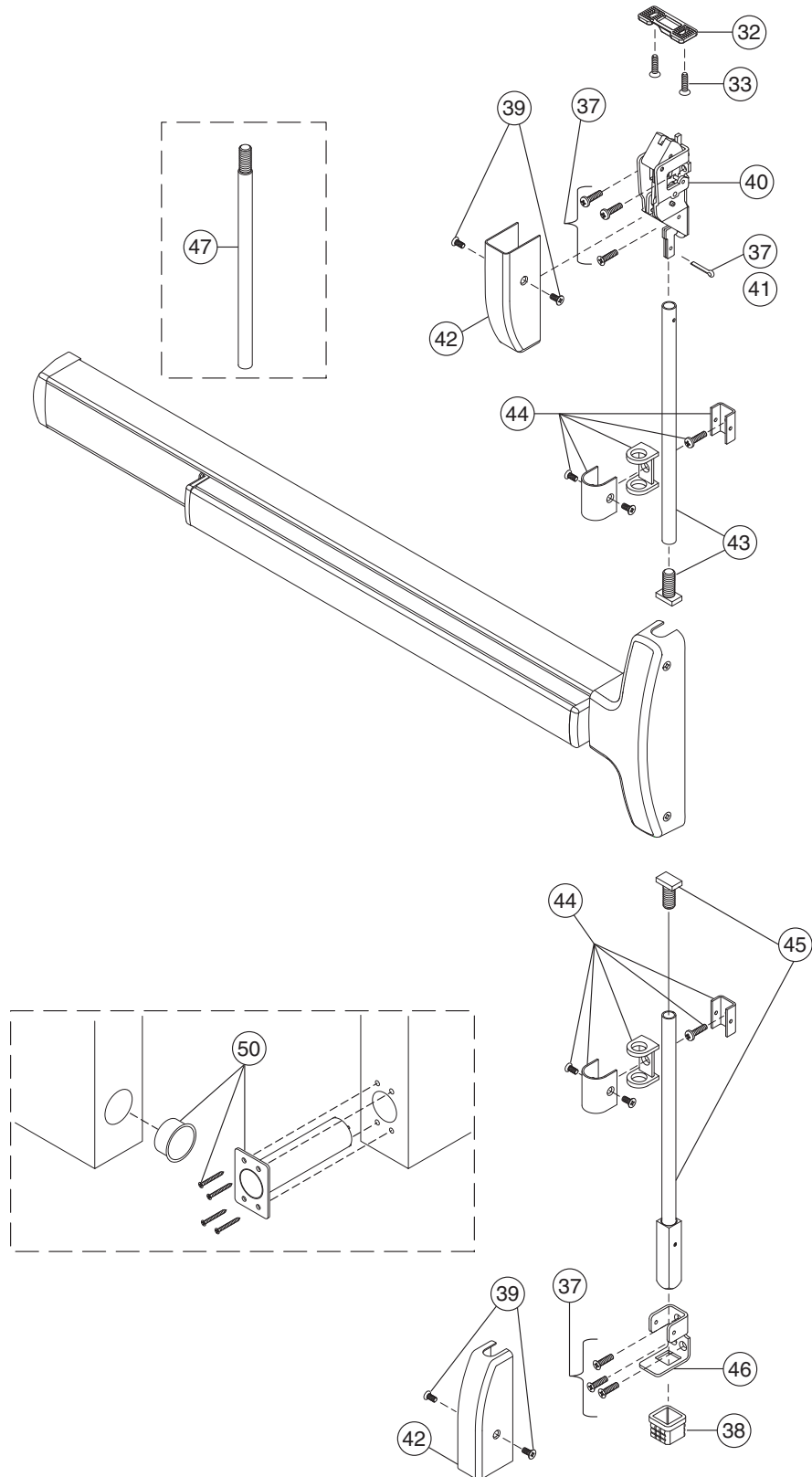
No.	Qty.	Part no.	Description	Package contents	Notes
1	1	650294	24 Channel Endcap Kit 1¾" Door	1– Channel Endcap	A
				2– #10-24 x ⅜" PPHMS	
				1– Channel Endcap Bracket	
				2– #10-24 x 1" PPHMS	
				2– #10 x 1¼" PPHSMS	
1	1	650348	24 Channel Endcap Kit 2¼" Door	1– Channel Endcap	A
				2– #10-24 x ⅜" PPHMS	
				1– Channel Endcap Bracket	
				2– #10-24 x 1" PPHMS	
				2– #10 x 1¼" PPHSMS	
3	1	661408	24 Channel 3'		A
		661409	24 Channel 4'		
4	1	600305	24 Channel Screw Pkg	10– #10-16 x ½" Hex Washer Head Taptite	
5	1	650121	F-24 Channel Cover 3'		A, B
		650122	F-24 Channel Cover 4'		
6	1	600319	24 Pushbar Guide Pkg	2– Pushbar Guide	
7	1	600310	24 Pushbar Endcap Kit	2– Pushbar Endcap	A
				4– #8-18 x ¾" FPHSMS	
8	1	600307	24 Center Case Cover Screw Pkg	4– #8-18 x ⅜" UFPHSMS	A
13	1	650187	24 Hex Dogging Kit 3'	1– Panic Channel Cover	A, B
		650188	24 Hex Dogging Kit 4'	1– Dogging Subassembly 1– #8-32 x ⅜" UFPHMS	
17	1	060109	24 Panic Hex Dogging Key 7/32" package of 10		
34		Included with C, F-24-C, F-24-CWDC Mounting Packages. For package details, refer to page 26 and page 28			
35					
58	1	650238	(F)24-C Center Case Kit	1– Center Case	
				2– #10-16 x ½" Hex Washer Head Taptite	
75	1	650253	(F)24-C Center Case Cover Kit	1– Center Case	A
				4– #8-18 x ⅜" UFPHSMS	

A Specify by finish: US3, US4, US10, 313AN, US26, US32, US26D, US32D, US28

B Channel Covers for CD, EA, HWEA, KOR, shown on **page 74**

(F)24-V surface vertical rods and latches

Panic and fire



24 Series

No.	Qty.	Part no.	Description	Package contents	Notes
32	1	3788	Vertical Rod Top Strike		**
33	2	660002	#10 x 1¼" FPHSMS		
37	1	650304	24-V Mounting Pkg 1¾" - 2¼" Door	2- #10 x 1¼" PPHSMS	*
				4- #10 x 1¼" FPHSMS	*
				2- #14 x 1" PPHSMS	*
				1- ⅛ x 1" Cotter Key	
				1- Dogging Key	*
		650325	F-24-V Mounting Pkg 1¾" Door	2- #10-24 x ¾" PPHMS	*
				4- #10-24 x ¾" FPHMS	
				2-1/4-20 x ¾" PPHMS	*
				1- ⅛ x 1" Cotter Key	
		650201	F-24-V Mounting Pkg 2¼" Door	2- #10-24 x 1¼" PPHMS	*
				4- #10-24 x 1¼" FPHMS	*
				2-1/4-20 x 1¾" PPHMS	*
1- ⅛ x 1" Cotter Key					
39	1	650336	24-V Latch Case Cover Screw Pkg	4- #8-32 x ¼" UFPHMS	
40	1	650389	24-V Top Latch Case - Panic		
		650375	24-V Top Latch Case - Fire		
41	1	060111	⅛" x 1" Cotter Key package of 10		
42	2	650202	24-V Latch Case Cover		B
43	1	4450	24-V Top Rod Kit		B
44	2	650311	24-V Rod Guide Kit		C
45	1	610056	24-V Bottom Bolt Kit		B
46	1	650387	24-V Bottom Guide Assembly (screws not included)		
47	1	650006	Vertical Extension Rod 12"		A
		650007	Vertical Extension Rod 24"		
		650008	Vertical Extension Rod 36"		
50	1	5494	F-24-C Auxiliary Fire Pin Kit (Less Bottom Rod applications only)		

* Item(s) not shown

** For Flush Transom applications, specify part number 4215-019 angle bracket

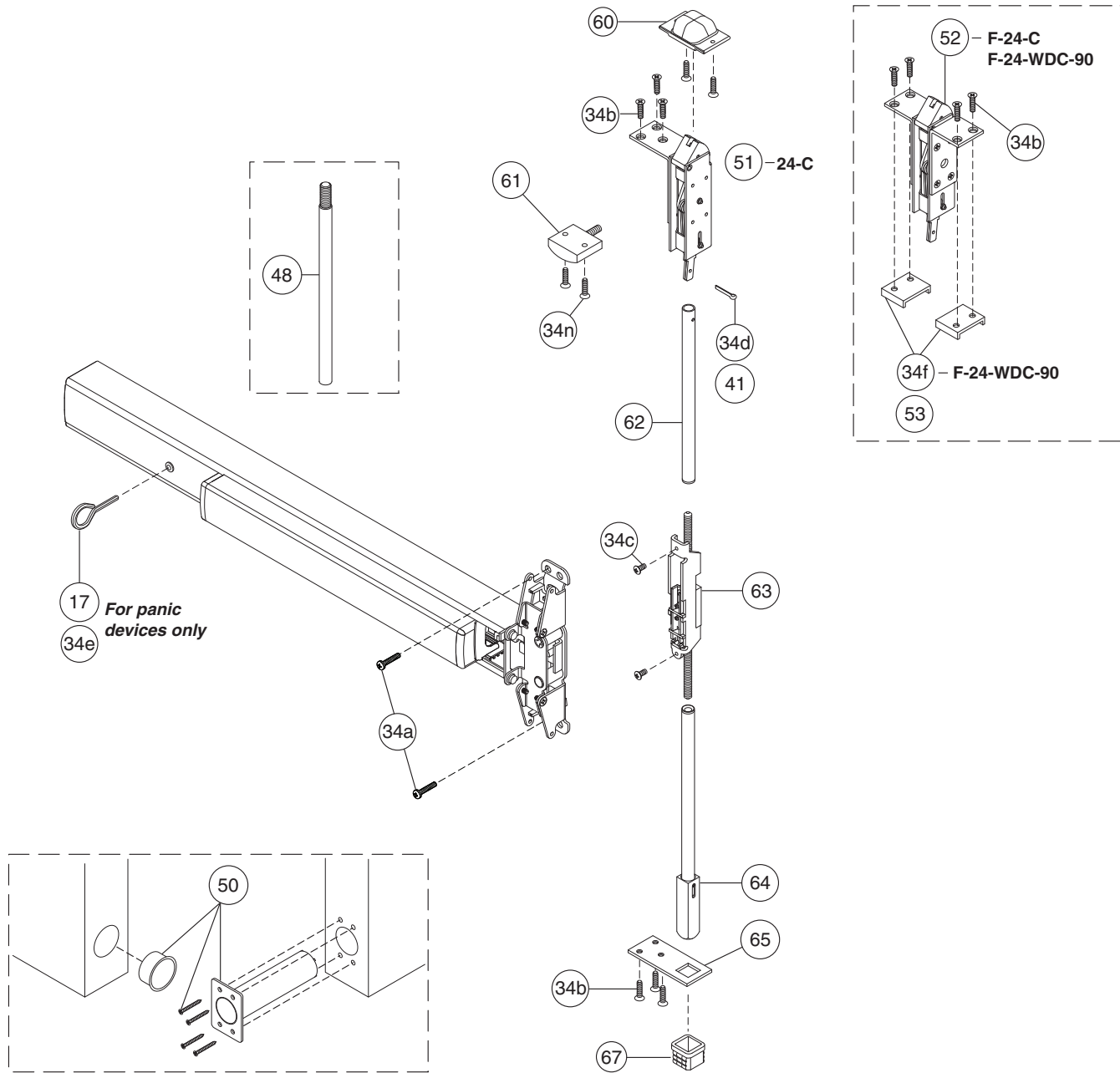
A Specify by finish: US3, US4, US10, US10B, US32, US32D, SP28, SP313

B Specify by finish: US3, US4, US10, US26, US26D, US32, US32D, SP28, SP313

C Specify by finish: US3, US4, US10, US26, US32, US32D, SP28, SP313

(F)24-C and F-24-C-WDC-90 concealed vertical rods and latches

Metal door—panic and fire, wood door—90 minute fire device



No.	Qty.	Part no.	Description	Package contents	Notes	
17	1	060109	24 Panic Hex Dogging Key 7/32" package of 10			
34	1	650317	F-24-C Mounting Pkg 1 3/4" Door	34a	8- #10-24 x 3/4" PPHMS	
				34b	7- #10-24 x 3/4" FPHMS	
				34c	2- #8-32 x 3/8" UFPHMS	
				34d	1- 1/8 x 1" Cotter Key	
				—	2- 1/4-20 x 3/4" PPHMS	*

24 Series

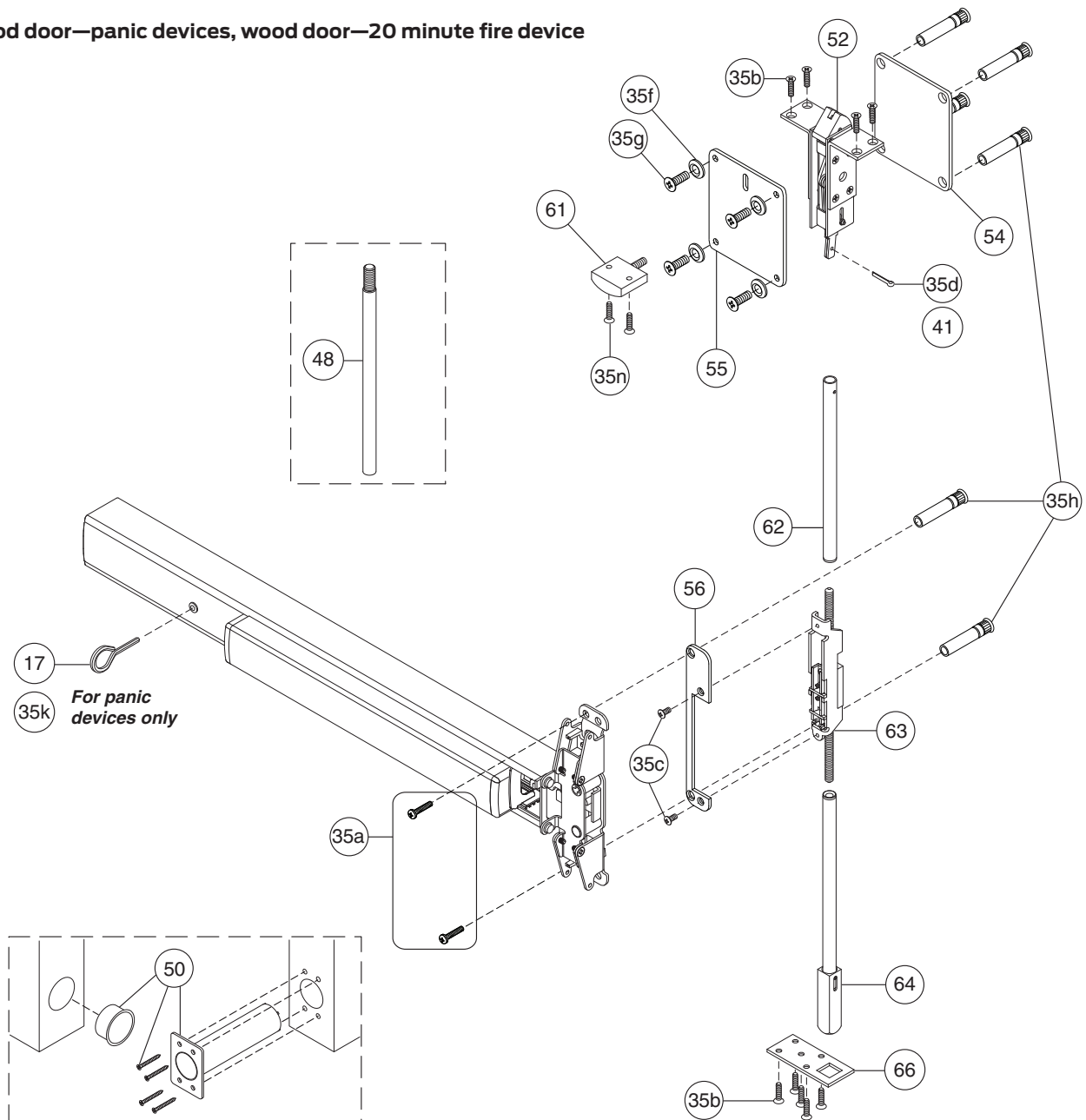
No.	Qty.	Part no.	Description		Package contents	Notes
34	1	650318	24-C Mounting Pkg 1¾" Door	34a	8– #10 x 1¼" PPHSMS	
				34b	6– #10-24 x ¾" FPHMS	
				34c	2– #8-32 x ¾" UFPHMS	
				34d	1– ⅛ x 1" Cotter Key	
				34e	1– Dogging Key	
				–	2– #14 x 1" PPHSMS	*
		650327	F-24-CWDC 90 Minute Mounting Pkg 1¾" Door	34a	4– #10 x 1¼" PPHSMS	
				34b	3– #10 x 1¼" FPHSMS	
				34c	2– #8-32 x ¾" UFPHMS	
				34d	1– ⅛ x 1" Cotter Key	
				34f	2– Latch Bracket	
				–	2– 1/4-20 x ¾" PPHMS	*
		650300	24-C Mounting Pkg 2¼" Door	34a	8– #10 x 1¼" PPHSMS	
				34b	6– #10-24 x 1¼" FPHMS	
				34c	2– #8-32 x ¾" UFPHMS	
				34d	1– ⅛ x 1" Cotter Key	
				34e	1– Dogging Key	
				–	2– #14 x 1" PPHSMS	*
		650346	F-24-C Mounting Pkg 2¼" Door	34a	8– #10-24 x 1¼" PPHMS	
				34b	7– #10-24 x 1¼" FPHMS	
34c	2– #8-32 x ¾" UFPHMS					
34d	1– ⅛ x 1" Cotter Key					
–	2– 1/4-20 x 1¼" PPHMS			*		
41	1	060111	⅛ x 1" Cotter Key package of 10			
48	1	650017	Concealed Vertical Extension Rod 12"			
		650018	Concealed Vertical Extension Rod 24"			
		650019	Concealed Vertical Extension Rod 36"			
50	1	5494	F-24-C Auxiliary Fire Pin Kit (Less Bottom Rod application only)			
51	1	603L	24-C, C-WDC Top Latch Case - LHR			
	1	603R	24-C, C-WDC Top Latch Case - RHR			
52	1	F603	F-24-C, C-WDC Top Latch Case			
53	2	4694	F-24-CWDC Latch Bracket			
60	1	4188	Concealed Vertical Top Rod Strike			
61	1	650339	(F)24-C, CWDC Top Latch Release Kit			A
62	1	610061	(F)24-C, CWDC Top Rod Kit			
63	1	650351	(F)24-C, CWDC Center Slide Assembly			
64	1	610057	(F)24-C, CWDC Bottom Rod Kit			
65	1	4567	24-C Bottom Bolt Guide			
67	1	2130	Vertical Rod Bottom Strike			

* Item(s) not shown

A Specify by finish: US3, US4, US10, 313AN, US26, US32, US26D, US32D, SP28

24-C-WDC and F-24-C-WDC-20 concealed vertical rods latches

Wood door—panic devices, wood door—20 minute fire device



No.	Qty.	Part no.	Description	Package contents	Notes
17	1	060109	24 Panic Hex Dogging Key 7/32" package of 10		
35	1	650326	24-CWDC Mounting Pkg 1 1/4" Door	35a 2- 1/4-20 x 3/4" PPHMS — 4- #10-24 x 1" PPHMS * 35b 11- #10 x 1 1/4" FPHSMS 35c 2- #8-32 x 3/8" UFPHMS — 2- 3/4" CS Plate Mtg Screw * 35d 1- 1/8 x 1" Cotter Key 35f 4- 1/4" CS Finish Washer	A

24 Series

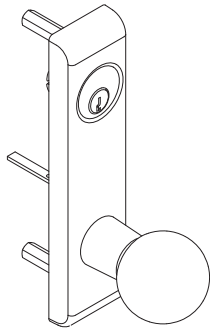
No.	Qty.	Part no.	Description	Package contents		Notes
35	1	650326	24-CWDC Mounting Pkg 1¾" Door	35g	4– ¼-20 x ¾" FPHMS	A
				35h	6– ¼-20 Sexbolt	
				35k	1– Dogging Key	
				35n	2– #10-24 x ¾" FPHMS	
				—	2– #10-24 x ¾" FPHMS *	
		650327	F-24-CWDC 20 Minute Mounting Pkg 1¾" Door	35a	2– ¼-20 x ¾" PPHMS	A
				35b	11– #10 x 1¼" FPHSMS	
				35c	2– #8-32 x ¾" UFPHMS	
				35d	1– ⅛ x 1" Cotter Key	
				—	2– ¾" CS Plate Mtg Screw *	
				35f	4– ¼" CS Finish Washer	
				35g	4– ¼-20 x ¾" FPHMS	
				35h	6– ¼-20 Sexbolt	
				—	4– #10-24 x 1" PPHMS *	
				35n	2– #10-24 x ¾" FPHMS	
		650298	24-CWDC Mounting Pkg 2¼" Door	35a	2– ¼-20 x 1¼" PPHMS	A
				—	4– #10-24 x 1" PPHMS *	
				35b	11– #10 x 1¼" FPHSMS	
				35c	2– #8-32 x ¾" UFPHMS	
—	2– #8-32 x ¾" UFPHMS *					
35d	1– ⅛ x 1" Cotter Key					
—	2– ¾" CS Plate Mtg Screw *					
35f	4– ¼-20 x 1¼" FPHMS					
35g	4– ¼" CS Finish Washer					
35h	6– ¼-20 Sexbolt					
35n	2– #10-24 x ¾" FPHMS					
41	1	060111	⅛ x 1" Cotter Key package of 10			
48	1	650017	Concealed Vertical Extension Rod 12"			
		650018	Concealed Vertical Extension Rod 24"			
		650019	Concealed Vertical Extension Rod 36"			
49	1	WF603	F-24-C-WDC Top Latch Case			*
50	1	5494	F-24-C Auxiliary Fire Pin Kit (Less Bottom Rod application only)			
54	1	4833	Top Reinforcement Plate			A
55	1	4834	Top Reinforcement Plate with Access Hole			A
56	1	4832	(F)24-CWDC Center Slide Reinforcement Plate			
61	1	650339	(F)24-C, CWDC Top Latch Release Kit			A
62	1	610061	(F)24-C, CWDC Top Rod Subassembly			
63	1	650376	(F)24-C, CWDC Center Slide Assembly			
64	1	610057	(F)24-C, CWDC Bottom Rod Kit			
66	1	4835	24-CWDC Bottom Bolt Guide			

* Item(s) not shown

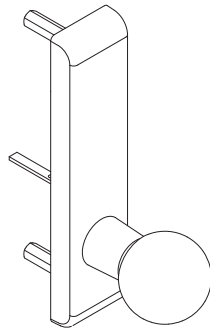
A Specify by finish: US3, US4, US10, 313AN, US26, US32, US26D, US32D, SP28

24 Series: knob (711) and lever (712) trim—rim and vertical device

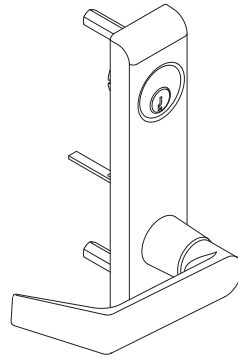
711K, 711K-BE, 711K-NL, 712L, 712L-BE and 712L-NL



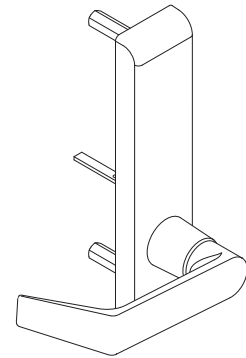
711K
711K-NL



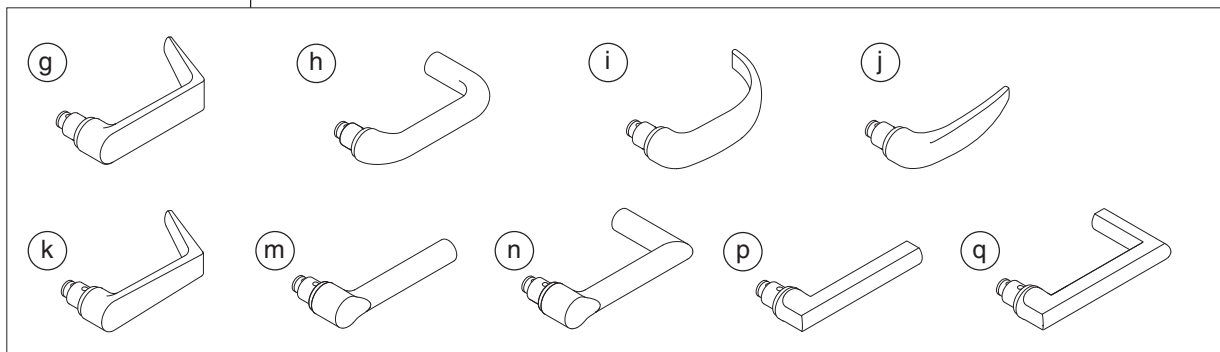
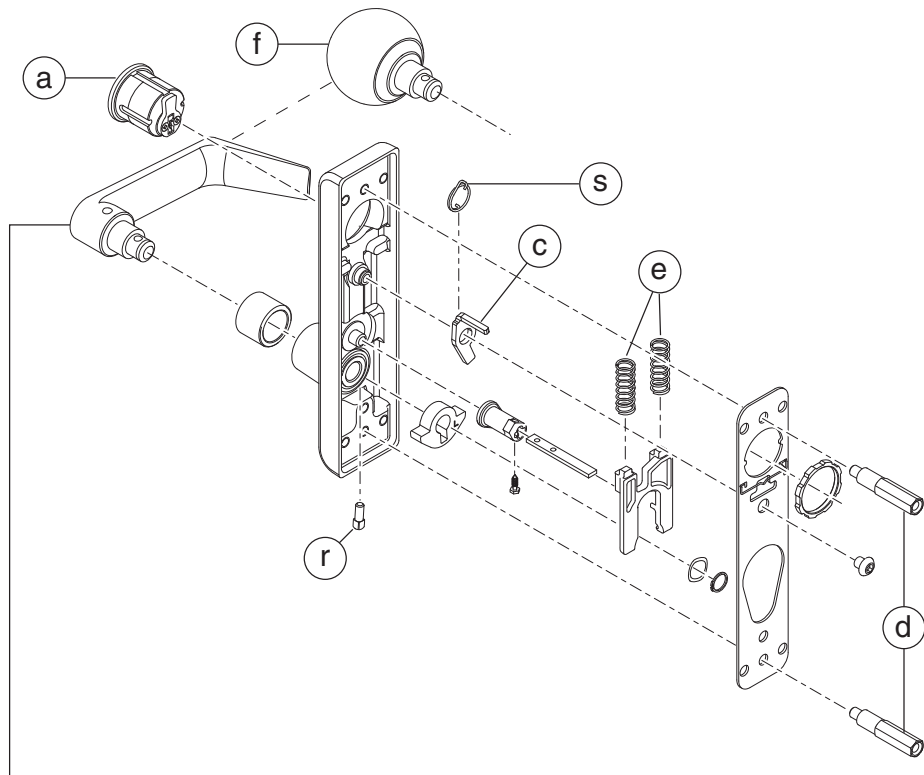
711K-BE



712L
712L-NL



712L-BE



24 Series

No.	Qty.	Part no.	Description	Notes
a	1	986	1¼ " Mortise Cylinder (US3, US4, US10, US10B, US26D, US32, US32D)	B
c	1	661560	700/900 Locking Plate	
d	2	4270	700 Series Trim Hex Stud	
e	1	661565	700 Series Lever Actuator Spring	
	1	661587	700 Series Knob Actuator Spring	
f	1	600298	711 Knob Assembly	A
g	1	600299	712 Dane Lever	A
h	1	600300	712 Sutro Lever	A
i	1	600301	712 Quantum Lever	A
j	1	600337	712 Avalon Lever	A
k	1	050990	Danish Lever	A
m	1	050991	Broadway Lever	A
n	1	050992	Boardwalk Lever	A
p	1	050988	Latitude Lever	A
q	1	050989	Longitude Lever	A
r	1	600283	Shear Pin, package of 5	
s	1	600339	700/900 NL Spring Package	

A Specify by finish: SP28, SP313, US3, US4, US10, US15, US19, US26, US26D, US32, US32D, 643E

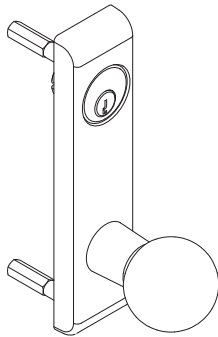
B Specify by finish shown

Specifications:

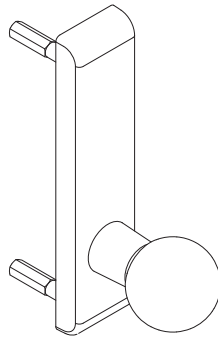
Escutcheon:	1¾" x 7¼"	
Knob Projection:	4"	
Lever Projection:	Dane	2 ¹⁵ / ₁₆ "
	Quantum	3 ³ / ₁₆ "
	Sutro	2 ¹³ / ₁₆ "
	Avalon	3¼"
	Danish	2 ³ / ₄ "
	Broadway	3 ¹ / ₈ "
	Boardwalk	3 ¹ / ₈ "
Latitude	3"	
Longitude	3"	

24 Series: knob (711) and lever (712) trim—concealed device

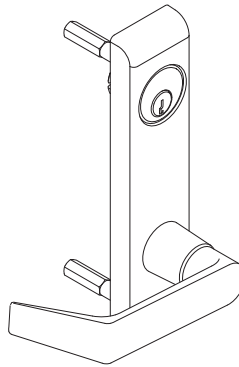
711K, 711K-BE, 711K-NL, 712L, 712L-BE and 712L-NL



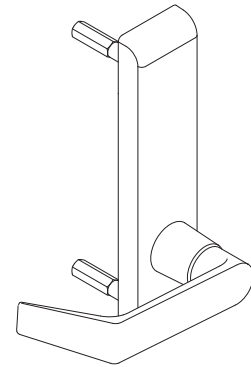
711K
711K-NL



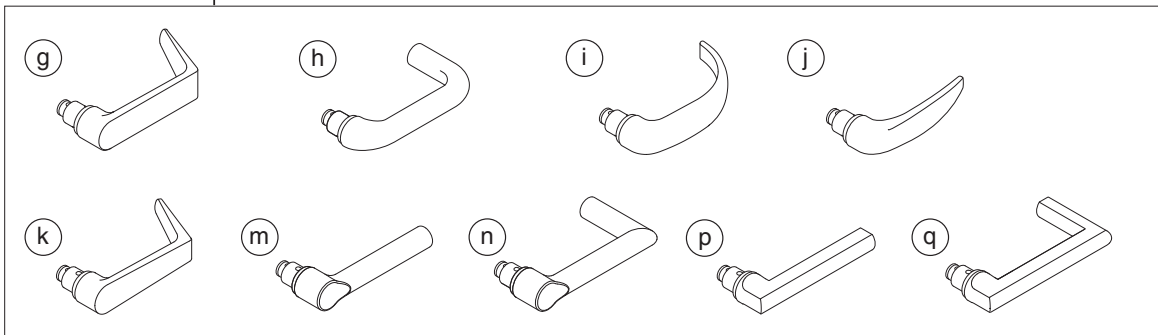
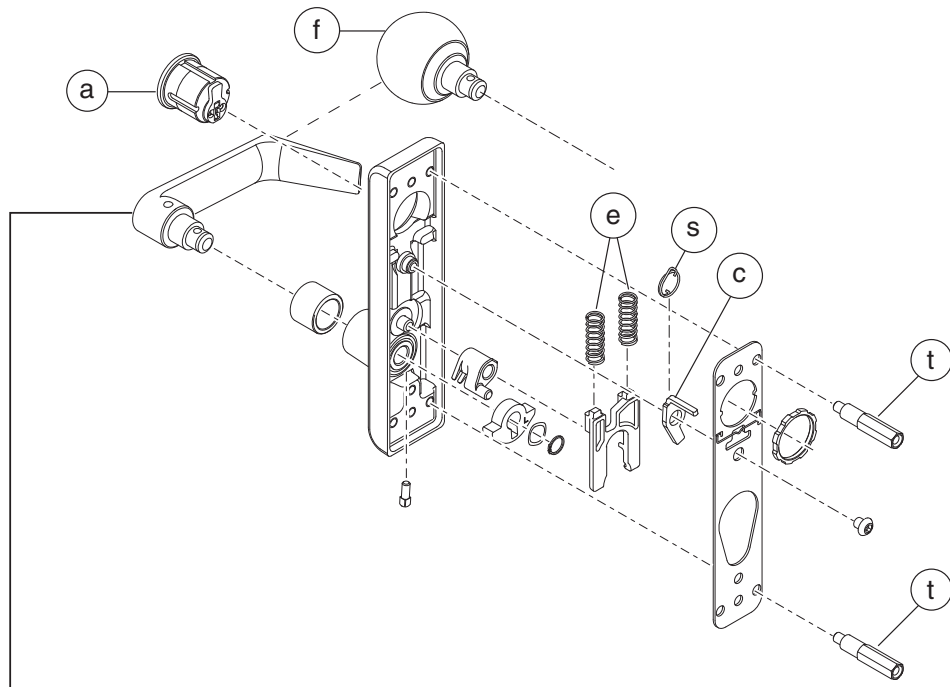
711K-BE



712L
712L-NL



712L-BE



24 Series

No.	Qty.	Part no.	Description	Notes
a	1	986	1¼ " Mortise Cylinder (US3, US4, US10, US10B, US26D, US32, US32D)	B
c	1	661560	700/900 Locking Plate	
f	1	600298	711 Knob Assembly	A
g	1	600299	712 Dane Lever	A
h	1	600300	712 Sutro Lever	A
i	1	600301	712 Quantum Lever	A
j	1	600337	712 Avalon Lever	A
k	1	050990	Danish Lever	A
m	1	050991	Broadway Lever	A
n	1	050992	Boardwalk Lever	A
p	1	050988	Latitude Lever	A
q	1	050989	Longitude Lever	A
t	2	4349	Control Hex Stud	A

A Specify by finish: SP28, SP313, US3, US4, US10, US15, US19, US26, US26D, US32, US32D, 643E

B Specify by finish shown

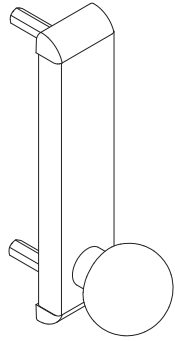
Specifications:

Escutcheon:	1¾" x 7¼"
Knob Projection:	4"
Lever Projection:	Dane 2 ¹⁵ / ₁₆ "
	Quantum 3 ³ / ₁₆ "
	Sutro 2 ¹³ / ₁₆ "
	Avalon 3¼"
	Danish 2¾"
	Broadway 3 ¹ / ₈ "
	Boardwalk 3 ¹ / ₈ "
	Latitude 3"
	Longitude 3"

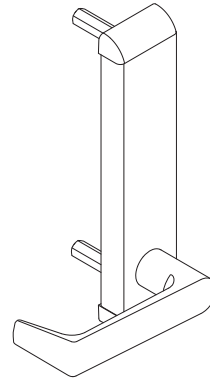
24 Series

24 Series: knob (711) and lever (712) dummy trim for rim, vertical and concealed device

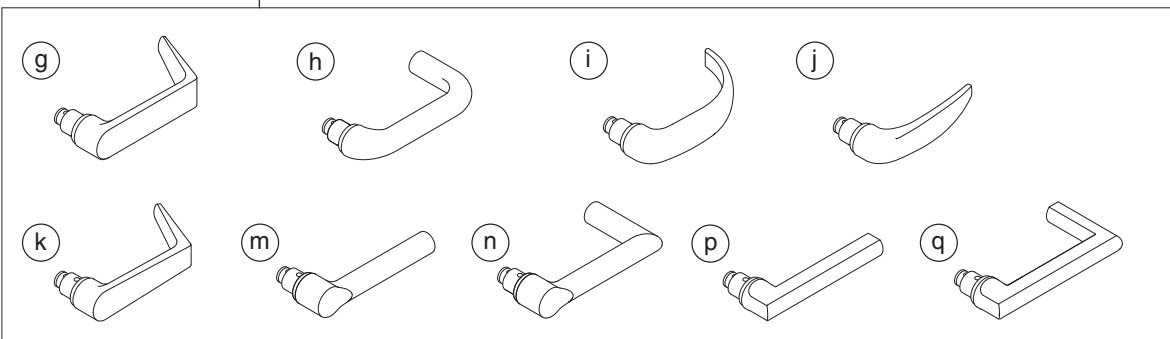
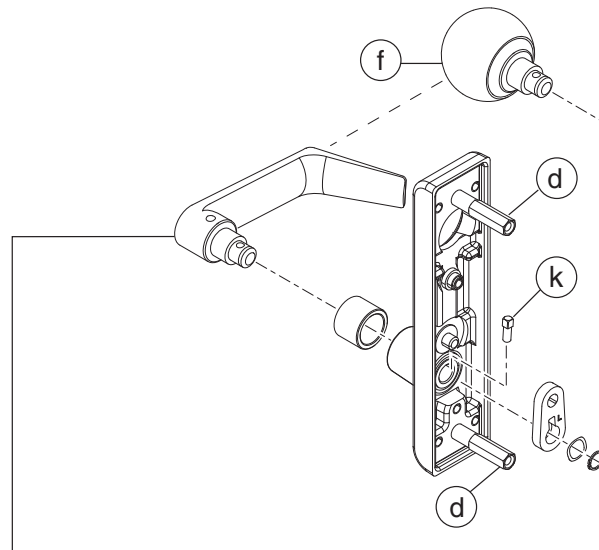
711K-DT and 712L-DT



711K-DT



712L-DT



24 Series

No.	Qty.	Part no.	Description	Notes
d	2	4270	700 Series Trim Hex Stud	
f	1	600298	711 Knob Assembly	A
g	1	600299	712 Dane Lever	A
h	1	600300	712 Sutro Lever	A
i	1	600301	712 Quantum Lever	A
j	1	600337	712 Avalon Lever	A
k	1	050990	Danish Lever	A
m	1	050991	Broadway Lever	
n	1	050992	Boardwalk Lever	
p	1	050988	Latitude Lever	
q	1	050989	Longitude Lever	
r	1	600283	Shear Pin, package of 5	

A Specify by finish: SP28, SP313, US3, US4, US10, US15, US19, US26, US26D, 643E

Specifications:

Escutcheon:	1¾" x 7¼"	
Knob Projection:	4"	
Lever Projection:	Dane	2 ¹⁵ / ₁₆ "
	Quantum	3 ³ / ₁₆ "
	Sutro	2 ¹³ / ₁₆ "
	Avalon	3¼"
	Danish	2¾"
	Broadway	3 ¹ / ₈ "
	Boardwalk	3 ¹ / ₈ "
	Latitude	3"
	Longitude	3"

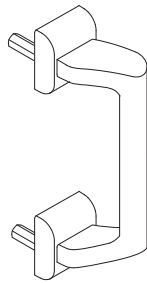
24 Series

24 Series: Athena (715) pull and Delta pull (717, 718) trim for rim and vertical device

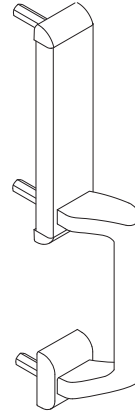
715DT, 717DT and 718DT



715DT



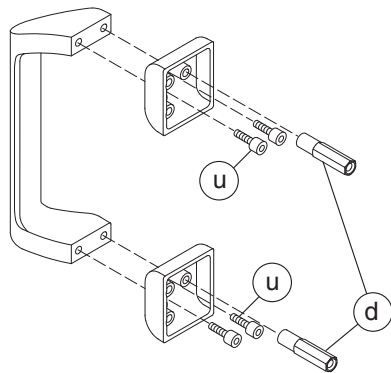
717DT



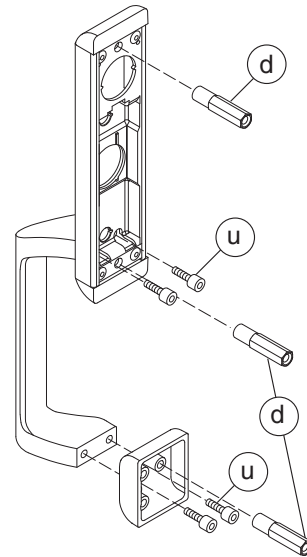
718DT



715DT



717DT



718DT

No.	Qty.	Part no.	Description	Notes
d	3	4270	700 Series Trim Hex Stud	
u	1	600288	717/718/719 Pull Grip Screw package (10- 1/4 - 20 x 1/2" Hex Socket Head Cap Screw)	

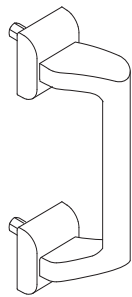
Specifications:

715DT Grip Overall:	1 5/8" x 9"
715DT Pull:	6 1/4" C - C
715DT Projection:	2 1/4"
Delta Pull Projection:	2"
718DT Escutcheon:	1 3/4" x 7 1/4"
718DT Overall Length:	13"

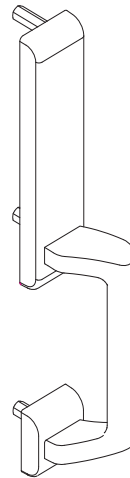
24 Series

24 Series: Delta pull (717, 718) trim for concealed devices

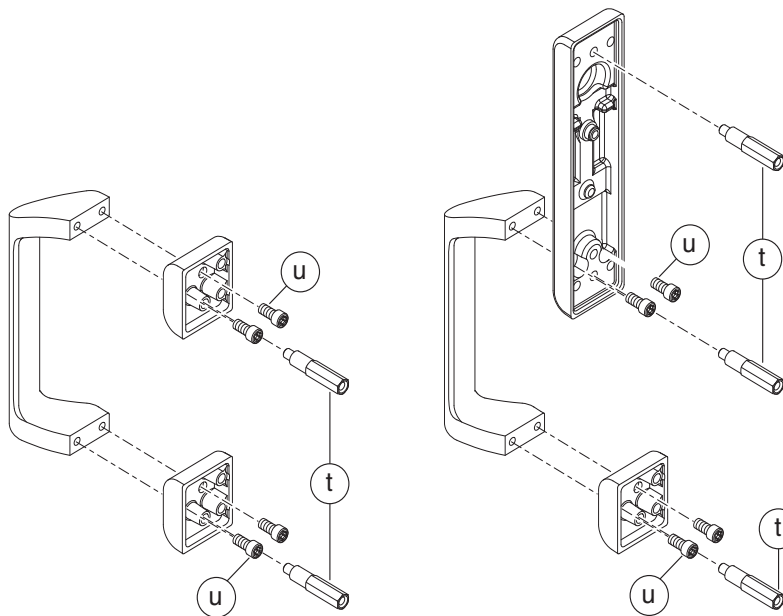
717DT and 718DT



717DT



718DT



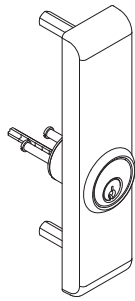
No.	Qty.	Part no.	Description	Notes
t	3	4349	Control Hex Stud	
u	1	600288	717/718/719 Pull Grip Screw package (10- 1/4 - 20 x 1/2" Hex Socket Head Cap Screw)	

Specifications:

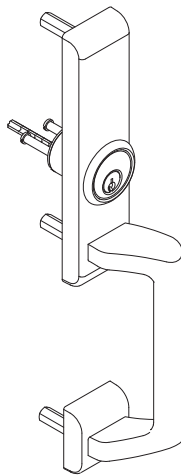
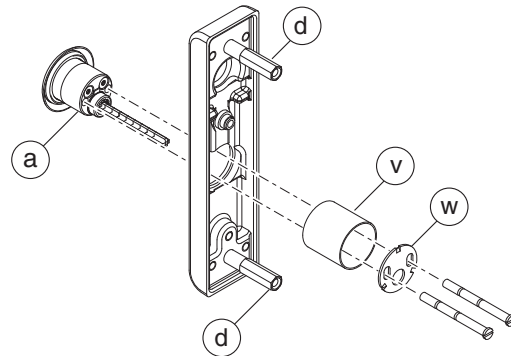
Delta Pull Projection: 2"
 718DT Escutcheon: 1 3/4" x 7 1/4"
 718DT Overall Length: 13"

24 Series: Delta (718) trim for rim and vertical device

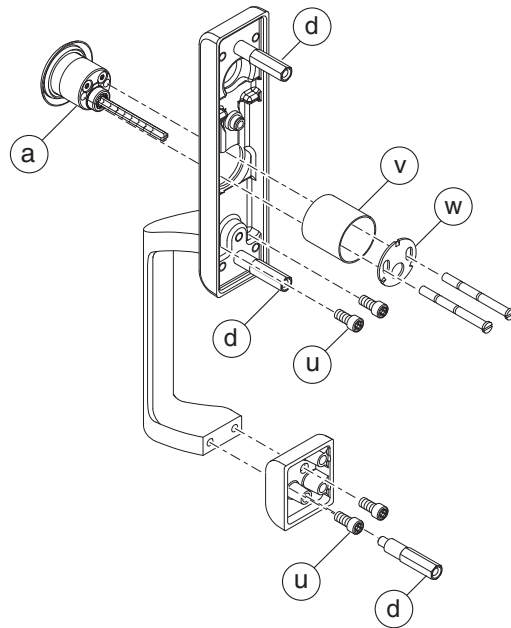
718C and 718-NL



718C



718NL



No.	Qty.	Part no.	Description	Notes
a	1	951	Rim Cylinder (US3, US4, US10, US10B, US26D, US32, US32D)	B
d	3	4270	700 Series Trim Hex Stud	
u	1	600288	717/718/719 Pull Grip Screw package (10- 1/4 - 20 x 1/2" Hex Socket Head Cap Screw)	
v	1	4120	718C/NL Cylinder Spacer Collar	
w	1	4121	718C/NL Cylinder Anchor Plate	

B Specify by finish shown

Specifications:

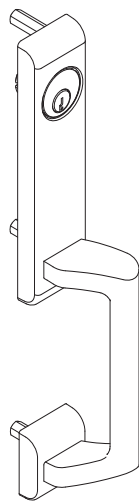
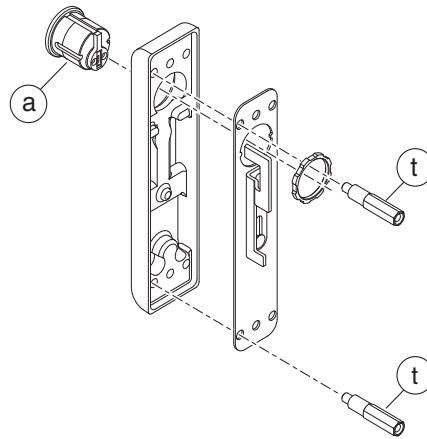
Delta Pull Projection: 2"
 Escutcheon: 1 3/4" x 7 1/4"
 Overall Length: 13"

24 Series: Delta (718) trim for concealed device

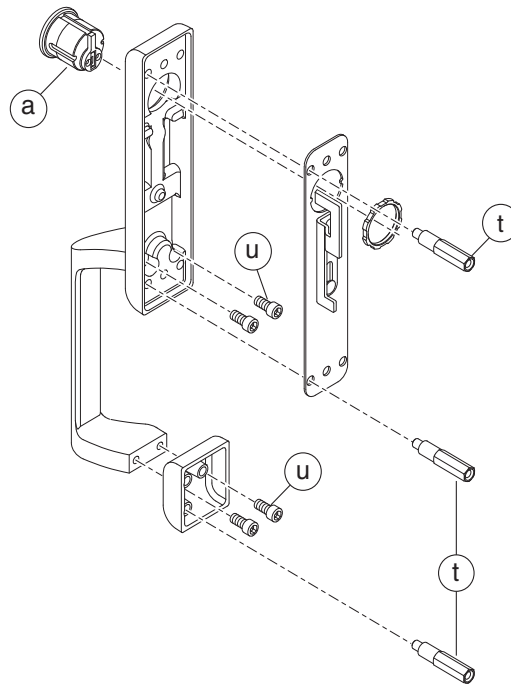
718C and 718-NL



718C



718NL



No.	Qty.	Part no.	Description	Notes
a	1	985	1½" Mortise Cylinder (US3, US4, US10, US10B, US26D, US32, US32D)	B
t	3	4349	Control Hex Stud	
u	1	600288	717/718/719 Pull Grip Screw package (10- ¼ - 20 x ½" Hex Socket Head Cap Screw)	

B Specify by finish shown

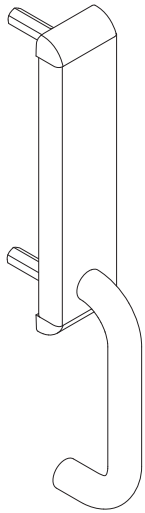
Specifications:

Delta Pull Projection: 2"
 Escutcheon: 1¾" x 7¼"
 Overall Length: 13"

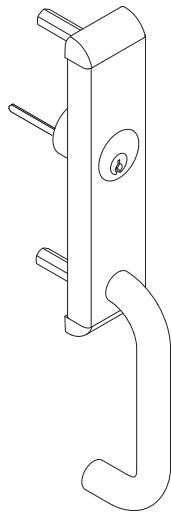
24 Series

24 Series: control pull trim (710) for rim and vertical device

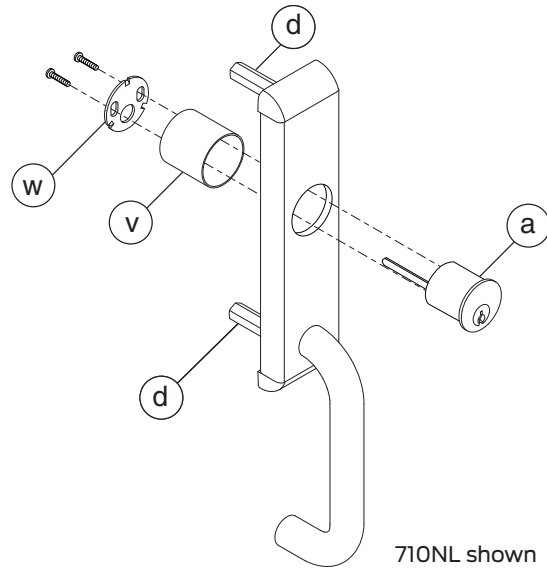
710-DT and 710-NL



710DT



710NL



710NL shown

No.	Qty.	Part no.	Description	Notes
a	1	951	Rim Cylinder (US3, US4, US10, US10B, US26D, US32, US32D)	B
d	2	4270	700 Series Trim Hex Stud	
v	1	4120	710NL Cylinder Spacer Collar	
w	1	4121	710NL Cylinder Anchor Plate	

B Specify by finish shown

Specifications:

Delta Pull Projection: 2"

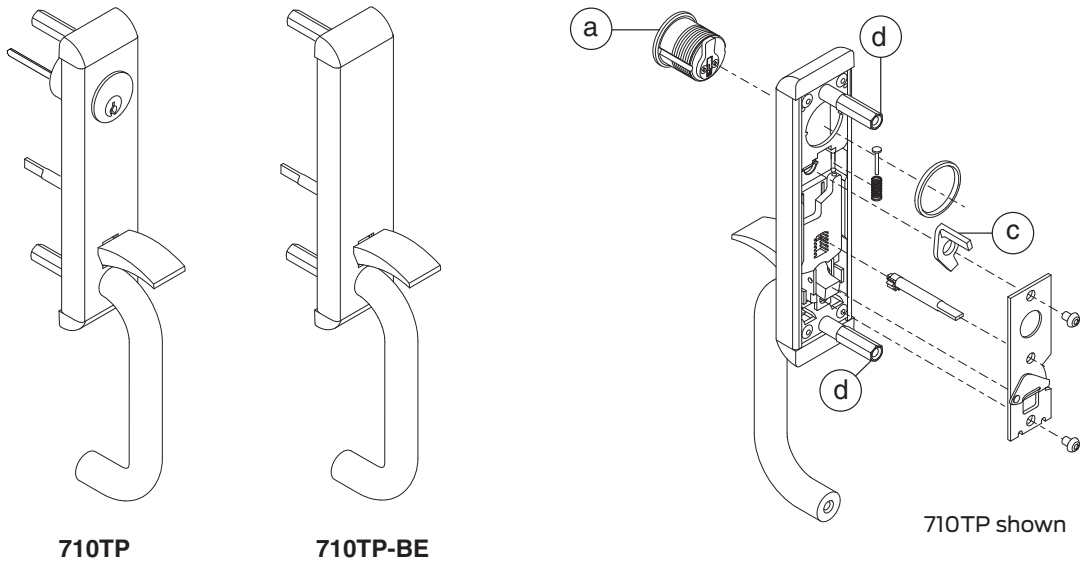
Escutcheon: 1¾" x 7¼"

Overall Length: 11¾"

24 Series

24 Series: control thumbpiece (710) trim for rim and vertical device

710TP and 710TP-BE



No.	Qty.	Part no.	Description	Notes
a	1	986	1¼" Mortise Cylinder (US3, US4, US10, US10B, US26D, US32, US32D)	B
c	1	650314	Locking Plate	
d	2	4270	700 Series Trim Hex Stud	

B Specify by finish shown

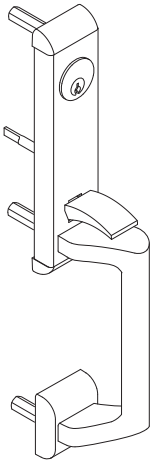
Specifications:

Escutcheon: 1¾" x 7¼"
 Projection: 2¼"
 Overall Length: 11¾"

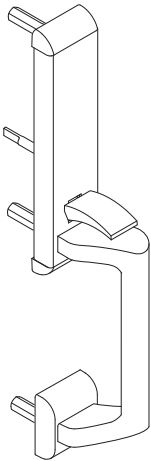
24 Series

24 Series: Delta thumbpiece (718) trim for rim and vertical device

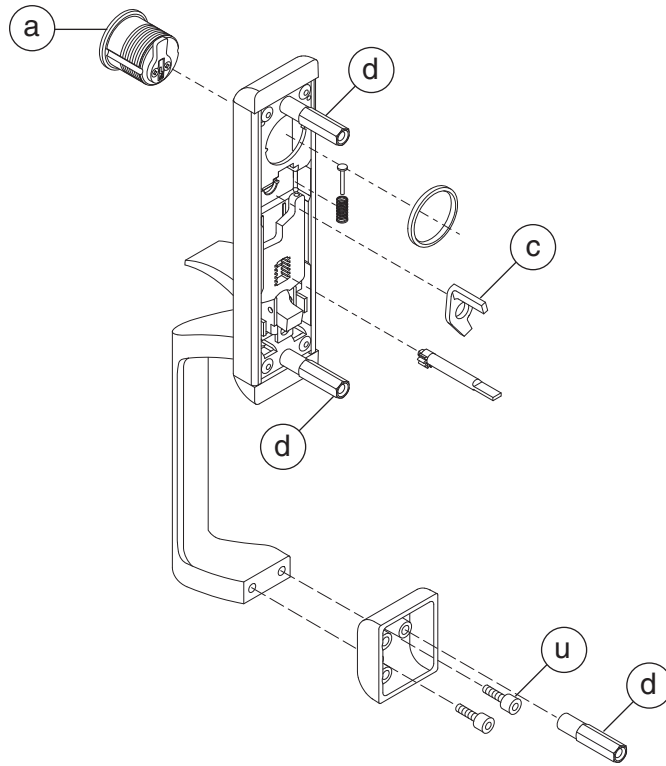
718TP and 718TP-BE



718TP



718TP-BE



718TP shown

No.	Qty.	Part no.	Description	Notes
a	1	986	1½" Mortise Cylinder (US3, US4, US10, US10B, US26D, US32, US32D)	B
c	1	661560	700/900 Locking Plate	
d	3	4270	700 Series Trim Hex Stud	
u	1	600288	717/718/719 Pull Grip Screw package (10- ¼ - 20 x ½" Hex Socket Head Cap Screw)	

B Specify by finish shown

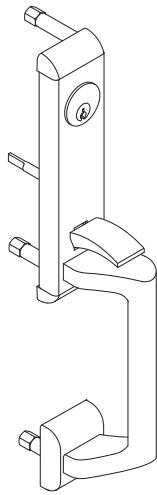
Specifications:

Escutcheon: 1¾" x 7¼"
 Projection: 2"
 Overall Length: 13"

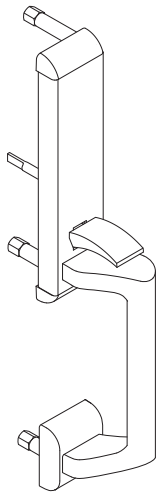
24 Series

24 Series: Delta thumbpiece (718) trim for concealed device

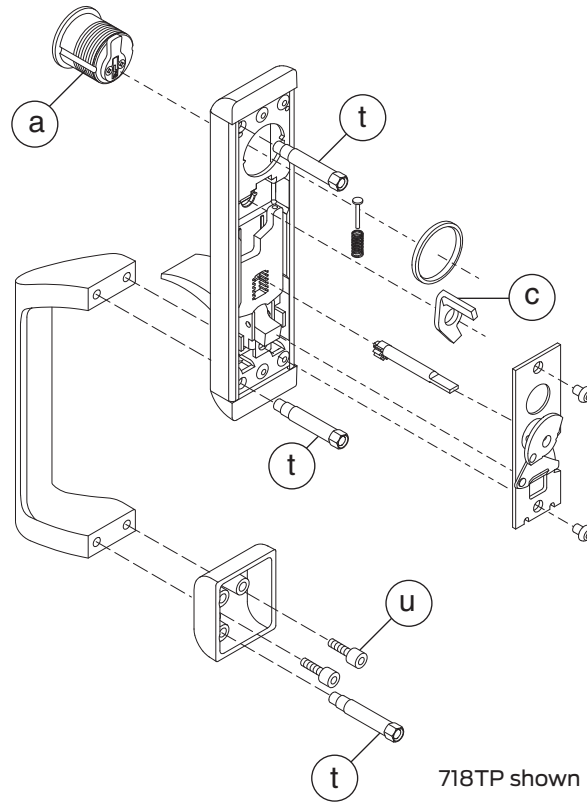
718TP and 718TP-BE



718TP



718TP-BE



No.	Qty.	Part no.	Description	Notes
a	1	986	1 1/8" Mortise Cylinder (US3, US4, US10, US10B, US26D, US32, US32D)	B
c	1	661560	700/900 Locking Plate	
t	3	4349	Control Hex Stud	
u	1	600288	717/718/719 Pull Grip Screw package (10- 1/4 - 20 x 1/2" Hex Socket Head Cap Screw)	

B Specify by finish shown

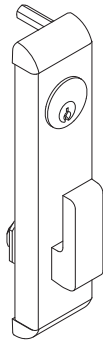
Specifications:

Escutcheon: 1 3/4" x 7 1/4"
 Projection: 2"
 Overall Length: 13"

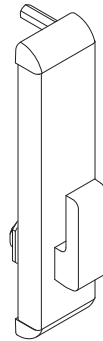
24 Series

24 Series: turn lever (719) trim for surface vertical device

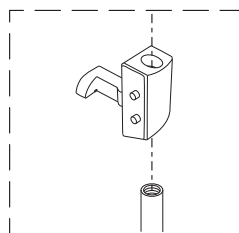
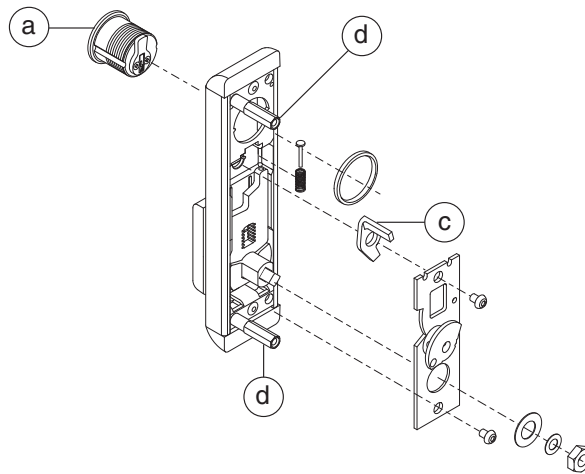
719TL and 719TL-BE



719TL



719TL-BE



Rod member
for 719TL, 719TL-BE
24-V devices

No.	Qty.	Part no.	Description	Notes
a	1	986	1¼" Mortise Cylinder (US3, US4, US10, US10B, US26D, US32, US32D)	B
c	1	661560	Locking Plate	
d	2	4270	700 Series Trim Hex Stud	

B Specify by finish shown

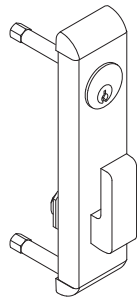
Specifications:

Escutcheon: 1¾" x 7¼"
Projection: 1¾"

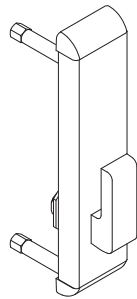
24 Series

24 Series: turn lever (719) trim for concealed vertical device

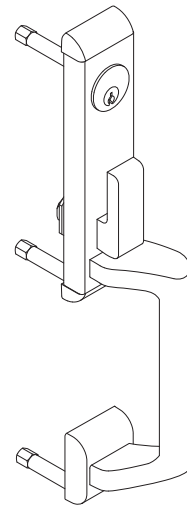
719TL, 719TL-BE and 719TLP



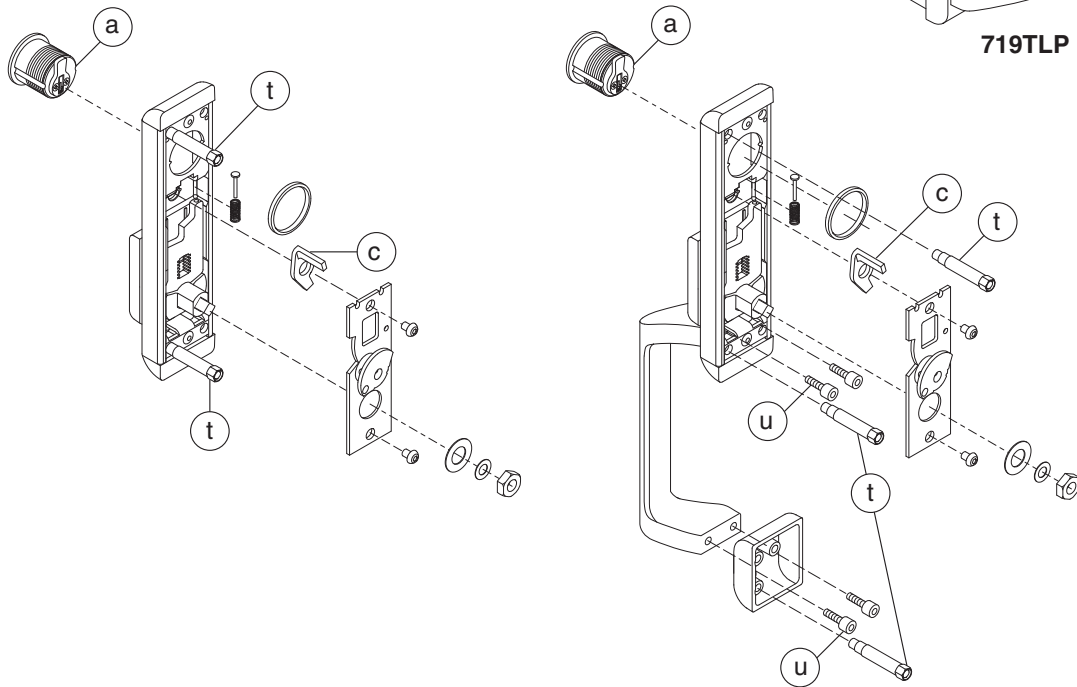
719TL



719TL-BE



719TLP



No.	Qty.	Part no.	Description	Notes
a	1	986	1¼" Mortise Cylinder (US3, US4, US10, US10B, US26D, US32, US32D)	B
c	1	661560	Locking Plate	
t	3	4349	Control Hex Stud	
u	1	600288	717/718/719 Pull Grip Screw package of 10 (¼ - 20 x ½" Hex Socket Head Cap Screw)	

B Specify by finish shown.

Specifications:

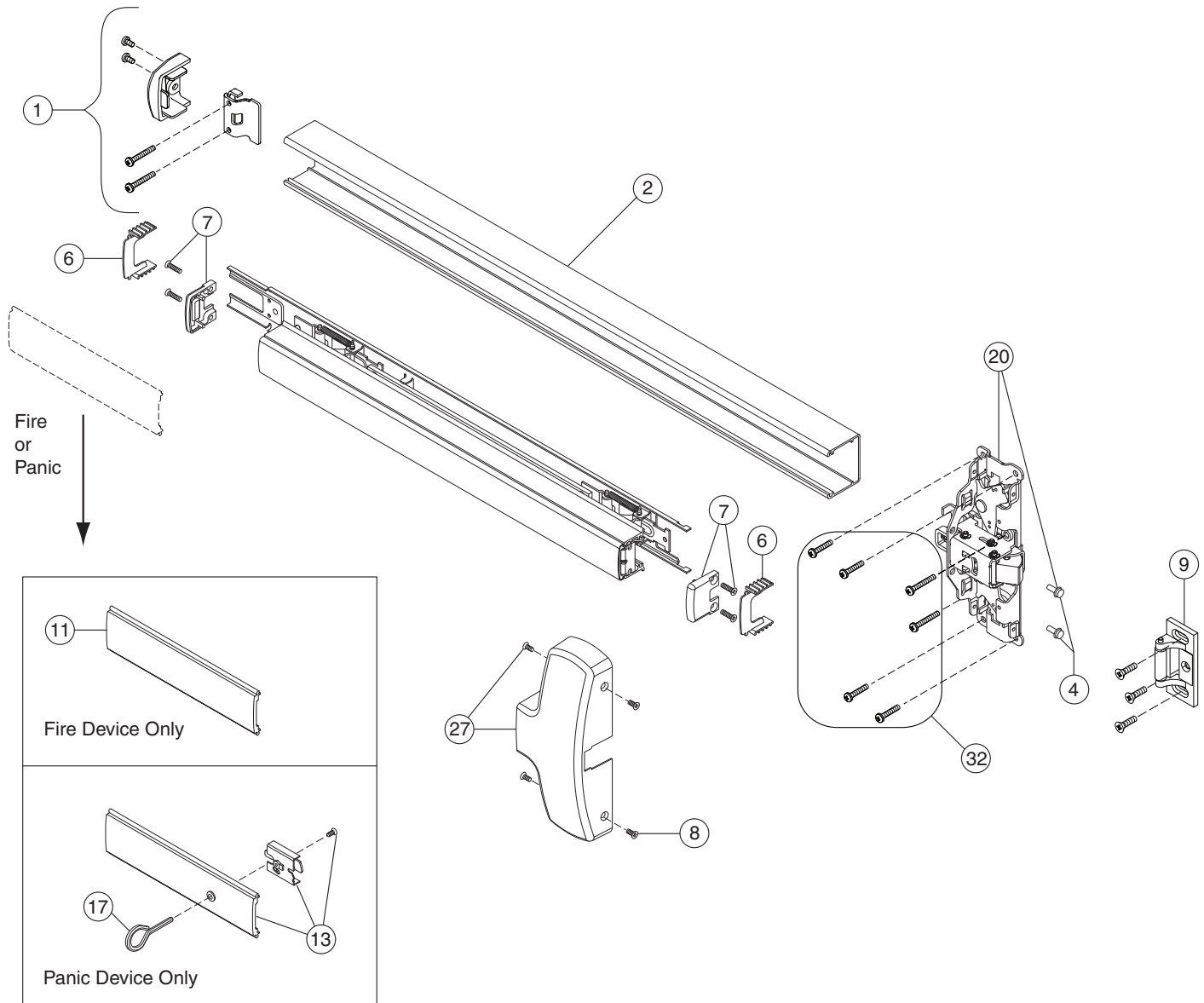
Escutcheon: 1¾" x 7¼"
 Projection: 1¾"
 Overall Length: 13"

25 Series

- 47 (F)25 rim exit device
- 49 25-V surface vertical rod exit device
- 51 (F)25-V surface vertical rods and latches
- 53 (F)25-C concealed vertical rod exit device
- 55 (F)25-C and F-25-C-WDC-90 concealed vertical rods and latches
- 57 25-C-WDC and F-25-C-WDC-20 concealed vertical rods and latches
- 59 (F)25-M mortise exit device
- 61 25 Series trim: lever (510), vandal resistant (vr) lever (511), knob (513)
- 63 25 Series trim: lever (510), knob (513)
- 65 25 Series trim: thumbpiece (512)
- 67 25 Series trim: thumbpiece (512)
- 69 25 Series trim: delta pull
- 70 25 Series trim: FSA/FSE, electric lock/unlock
- 71 24/25 Series channel cover plate options
- 72 24/25 Series electrical options
- 74 24/25 Series miscellaneous kits and parts
- 76 Refill parts/packages

(F)25 rim exit device

Panic and fire



25 Series

No.	Qty.	Part no.	Description	Package contents	Notes
1	1	650294	25 Channel Endcap Kit 1¾" Door	1– Channel Endcap	A
				2– #10-24 x ⅜" PPHMS	
				1– Channel Endcap Bracket	
				2– #10 x 1¼" PPHSMS	
				2– #10-24 x 1" PPHMS	
1	1	650348	25 Channel Endcap Kit 2¼" Door	1– Channel Endcap	A
				2– #10-24 x ⅜" PPHMS	
				1– Channel Endcap Bracket	
				2– #10 x 1¼" PPHSMS	
				2– #10-24 x 1" PPHMS	
2	1	661412	25 Channel 3'		A
		661413	25 Channel 4		
4	1	600305	25 Channel Screw package of 10	#10-16 x ½" Hex Washer Head Taptite	
6	1	600319	25 Pushbar Guide Pkg	2– Pushbar Guide	
7	1	600310	25 Pushbar Endcap Kit	2– Pushbar Endcap	A
				4– #8-18 x ¾" FPHSMS	
8	1	600307	25 Center Case Cover Screw Pkg	4– #8-18 x ⅜" UFPHMS	A
9	1	299	299 Strike		C
11	1	650227	F-25 Channel Cover Plate 3'		A, B
		650228	F-25 Channel Cover Plate 4'		
13	1	650191	25 Hex Dogging Kit 3'	1– Panic Channel Cover (3' or 4") 1– Dogging Subassembly	A, B
		650192	25 Hex Dogging Kit 4'	1– #8-32 x ⅜" UFPHMS	
17	1	060109	Hex Dogging Key 7/32" package of 10		
20	1	650239	25-R Center Case Kit, Panic	1– Center Case	
		650240	F-25-R Center Case Kit, Fire	2– #10-16 x ½" Hex Washer Head Taptite	
27	1	650255	(F)25-R Center Case Cover Kit	1– Head Cover	A
				4– #8-18 x ⅜" UFPHMS	
32	1	650345	(F)25-R/M Mounting Pkg 1¾" Door	6– #10 x 1¼" PPHSMS	*
				4– #10-24 x ¾" PPHMS	
				2– #10-24 x 1" PPHMS	
				1– Tailpiece Guide	
		650293	(F)25-R/M Mounting Pkg 2¼" Door	6– #10 x 1¼" PPHSMS	*
				4– #10-24 x 1¼" PPHMS	
				2– #10-24 x 1½" PPHMS	
			1– Tailpiece Guide	*	

* Item(s) not shown.

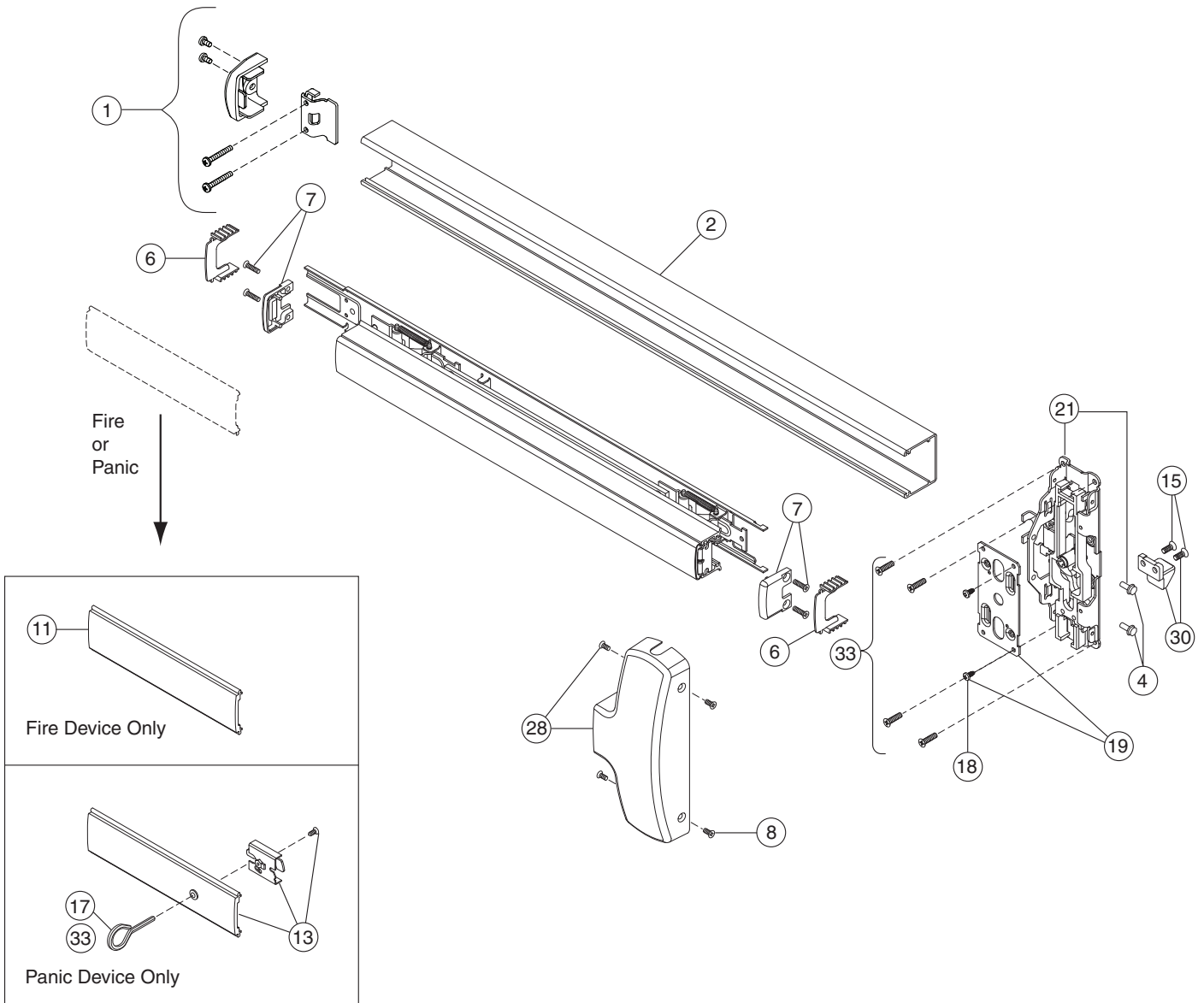
A Specify by finish: US3, US4, US10, US26, US26D, US32, US32D, US28, 313AN

B Channel Covers for CD, EA, HWEA, KOR, shown on **page 72**

C Specify by finish: US3, US4, US10, US19, US26, US26D, SP313

25-V surface vertical rod exit device

Panic and fire



No.	Qty.	Part no.	Description	Package contents	Notes
1	1	650294	25 Channel Endcap Kit 1 $\frac{3}{4}$ " Door	1- Channel Endcap 2- #10-24 x $\frac{3}{8}$ " PPHMS 1- Channel Endcap Bracket 2- #10-24 x 1" PPHMS 2- #10 x 1 $\frac{1}{4}$ " PPHSMS	A

25 Series

No.	Qty.	Part no.	Description	Package contents	Notes
1	1	650348	25 Channel Endcap Kit 2 1/4" Door	1- Channel Endcap	A
				2- #10-24 x 3/8" PPHMS	
				1- Channel Endcap Bracket	
				2- #10-24 x 1" PPHMS	
				2- #10 x 1 1/4" PPHSMS	
2	1	661412	25 Channel 3'		A
		661413	25 Channel 4'		
4	1	600305	25 Channel Screw package of 10	10- #10-16 x 1/2" Hex Washer Head Taptite	
6	1	600319	25 Pushbar Guide Pkg	2- Pushbar Guide	
7	1	600310	25 Pushbar Endcap Kit	2- Pushbar Endcap	A
				4- #8-18 x 3/4" FPHSMS	
8	1	600307	25 Center Case Cover Screw Pkg	4- #8-18 x 3/8" UFPHMS	A
11	1	650227	F-25 Channel Cover Plate 3'		A
		650228	F-25 Channel Cover Plate 4'		
13	1	650191	25 Hex Dogging Kit 3'	1- Panic Channel Cover (3' or 4")	A
		650192	25 Hex Dogging Kit 4'	1- Dogging Subassembly 1- #8-32 x 3/8" UFPHMS	
15	1	600309	25-V/C Finger Screw Pkg	2- #10-24 x 3/8" UFPHMS	
17	1	060109	Hex Dogging Key 7/32" package of 10		
18	1	600308	25-V/M/C Center Case Housing Screw Pkg	2- #8-32 x 3/8" PPHMS Trilob	
19	1	650261	25-V/M/C Center Case Housing Kit	2- #8-32 x 3/8" PPHMS Trilob	
				1- Vertical Housing	
21	1	650242	(F)25-V Center Case Kit	1- Center Case	
				2- #10-16 x 1/2" Hex Washer Head Taptite	
28	1	650257	(F)25-V Center Case Cover Kit	1- Head Cover	A
				4- #8-18 x 3/8" UFPHMS	
30	1	650262	25-V Center Case Finger Kit	2- #10-24 x 3/8" UFPHMS	
				1-Vertical Finger	
33	1	650315	25-V Mounting Pkg 1 3/4" - 2 1/4" Door	6- #10 x 1 1/4" PPHSMS	*
				4- #10 x 1 1/4" FPHSMS	*
				1- 1/8 x 1" Cotter Key	*
				1- Dogging Key	
		650316	F-25-V Mounting Pkg 1 3/4" Door	6- #10-24 x 3/4" PPHMS	
				4- #10-24 x 3/4" FPHMS	*
				1- 1/8 x 1" Cotter Key	*
		650295	F-25-V Mounting Pkg 2 1/4" Door	6- #10-24 x 1 1/4" PPHMS	*
				4- #10-24 x 1 1/4" FPHMS	*
1- 1/8" x 1" Cotter Key	*				

* Item(s) not shown.

A Specify by finish: US3, US4, US10, US26, US26D, US32, US32D, US28, 313AN

B Channel Covers for CD, EA, HWEA, KOR, shown on page 72

25 Series

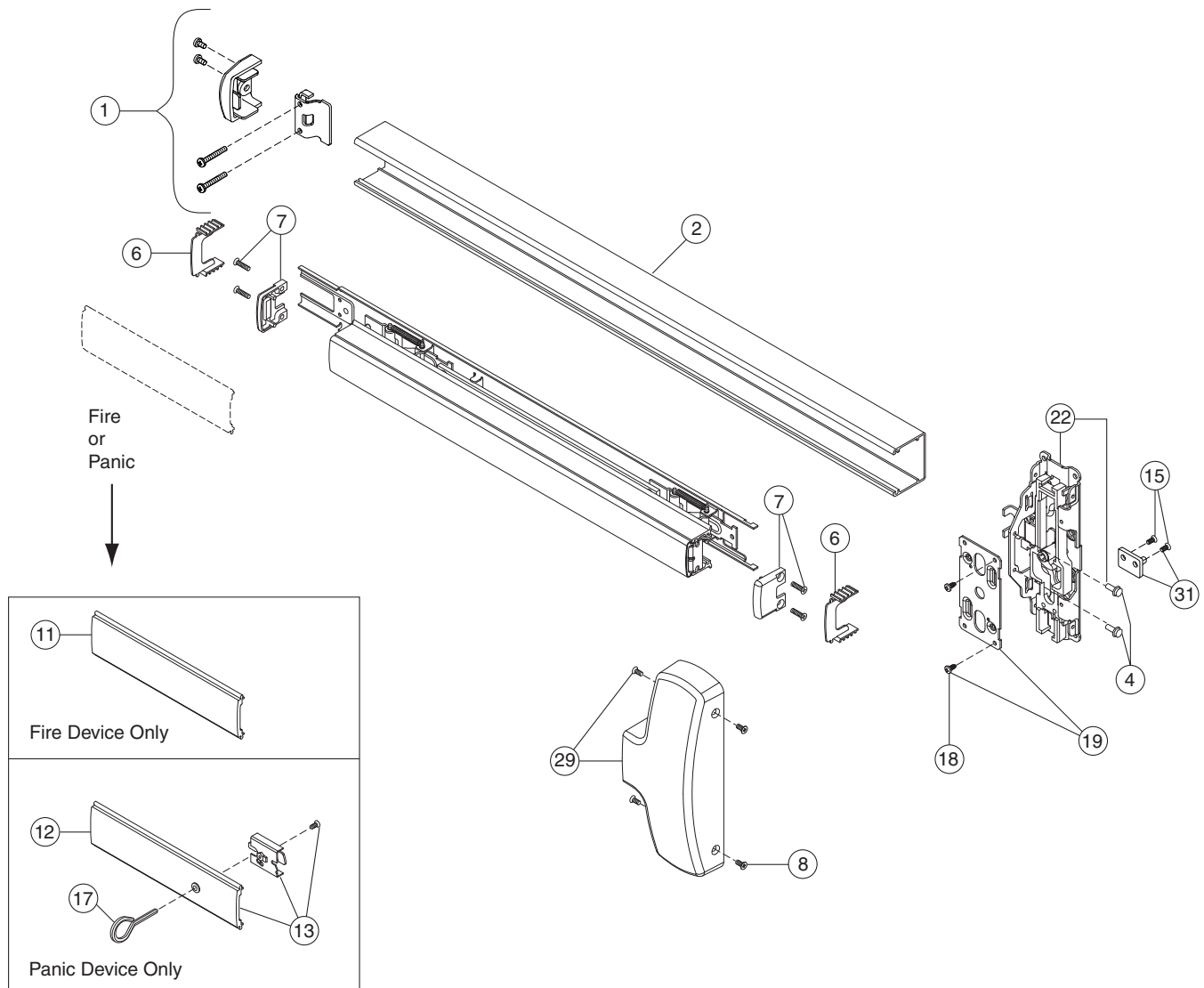
No.	Qty.	Part no.	Description	Package contents	Notes
33	1	650315	25-V Mounting Pkg 1 ³ / ₄ " – 2 ¹ / ₄ " Door	4– #10 x 1 ¹ / ₄ " FPHSMS	*
				6– #10 x 1 ¹ / ₄ " PPHSMS	*
				1– 1/8 x 1" Cotter Key	
				1– Dogging Key	*
		650316	F-25-V Mounting Pkg 1 ³ / ₄ " Door	4– #10-24 x 3/4" FPHMS	*
				6– #10-24 x 3/4" PPHMS	
				1– 1/8 x 1" Cotter Key	
		650295	F-25-V Mounting Pkg 2 ¹ / ₄ " Door	4– #10-24 x 1 ¹ / ₄ " FPHMS	*
				6– #10-24 x 1 ¹ / ₄ " PPHMS	*
1– 1/8" x 1" Cotter Key					
36	1	3788	Vertical Rod Top Strike		
37	2	660002	#10 x 1 ¹ / ₄ " FPHSMS		
38	1	2130	Vertical Rod Bottom Strike		
39	1	650336	25-V Latch Case Cover Mounting Pkg	4– #8-32 x 1/4" UFPHMS	
40	1	650389	25-V Top Latch Case		
		650375	F-25-V Top Latch Case		
41	1	060111	1/8" x 1" Cotter Key package of 10		
42	2	650202	25-V Latch Case Cover Kit		A
43	1	3777	25-V Top Rod Kit		A
44	2	650311	25-V Rod Guide Kit		A
45	1	610055	25-V Bottom Rod Kit		A
46	1	650387	25-V Bottom Bolt Guide		A
47	1	650006	Vertical Extension Rod 12"		A
		650007	Vertical Extension Rod 24"		
		650008	Vertical Extension Rod 36"		
50	1	5494	Auxiliary Fire Pin Kit (Less Bottom Rod application only)		

* Item(s) not shown.

A Specify by finish: US3, US4, US10, US26, US26D, US32, US32D, US28, 313AN

(F)25-C concealed vertical rod exit device

Panic and fire



NOTE: (F)25-C Mounting Package(s) shown on page 57

25 Series

No.	Qty.	Part no.	Description	Package contents	Notes
1	1	650294	25 Channel Endcap Kit 1¾" Door	1– Channel Endcap 2– #10-24 x ¾" PPHMS 1– Channel Endcap Bracket 2– #10-24 x 1" PPHMS 2– #10 x 1¼" PPHSMS	A
	1	650348	25 Channel Endcap Kit 2¼" Door	1– Channel Endcap 2– #10-24 x ¾" PPHMS 1– Channel Endcap Bracket 2– #10-24 x 1" PPHMS 2– #10 x 1¼" PPHSMS	
2	1	661412	25 Channel 3'		A
		661413	25 Channel 4'		
4	1	600305	25 Channel Screw package of 10	#10-16 x ½" Hex Washer Head Taptite	
6	1	600319	25 Pushbar Guide Pkg	2– Pushbar Guide	
7	1	600310	25 Pushbar Endcap Kit	2– Pushbar Endcap	A
				4– #8-18 x ¾" FPHSMS	
8	1	600307	25 Center Case Cover Screw Pkg	4– #8-18 - ¾" UFPHMS	A
11	1	650227	F-25 Channel Cover Plate 3'		A, B
		650228	F-25 Channel Cover Plate 4'		
13	1	650191	25 Hex Dogging Kit 3'	1– Panic Channel Cover (3' or 4')	A, B
		650192	25 Hex Dogging Kit 4'	1– Dogging Subassembly 1– #8-32 x ¾" UFPHMS	
15	1	600309	25-V/C Center Case Finger Screw Pkg	2– #10-24 x ¾" UFPHMS	
17	1	060109	Hex Dogging Key 7/32" package of 10		
18	1	600308	25-V/M/C Center Case Housing Screw Pkg	2– #8-32 x ¾" PPHMS Trilob Housing	
19	1	650261	25-V/M/C Center Case Housing Kit	2– #8-32 x ¾" PPHMS Trilob Housing	
				1– Vertical Housing	
22	1	650244	25-C, CWDC Center Case Kit	1– Center Case	
				2– #10-16 x ½" Hex Washer Head Taptite	
29	1	650259	(F)25-C/M Center Case Cover Kit	1– Center Case	A
				4– #8-18 - ¾" UFPHMS	
31	1	650263	25-C Center Case Finger Kit	2– #10-24 x ¾" UFPHMS	
				1– Concealed Finger	

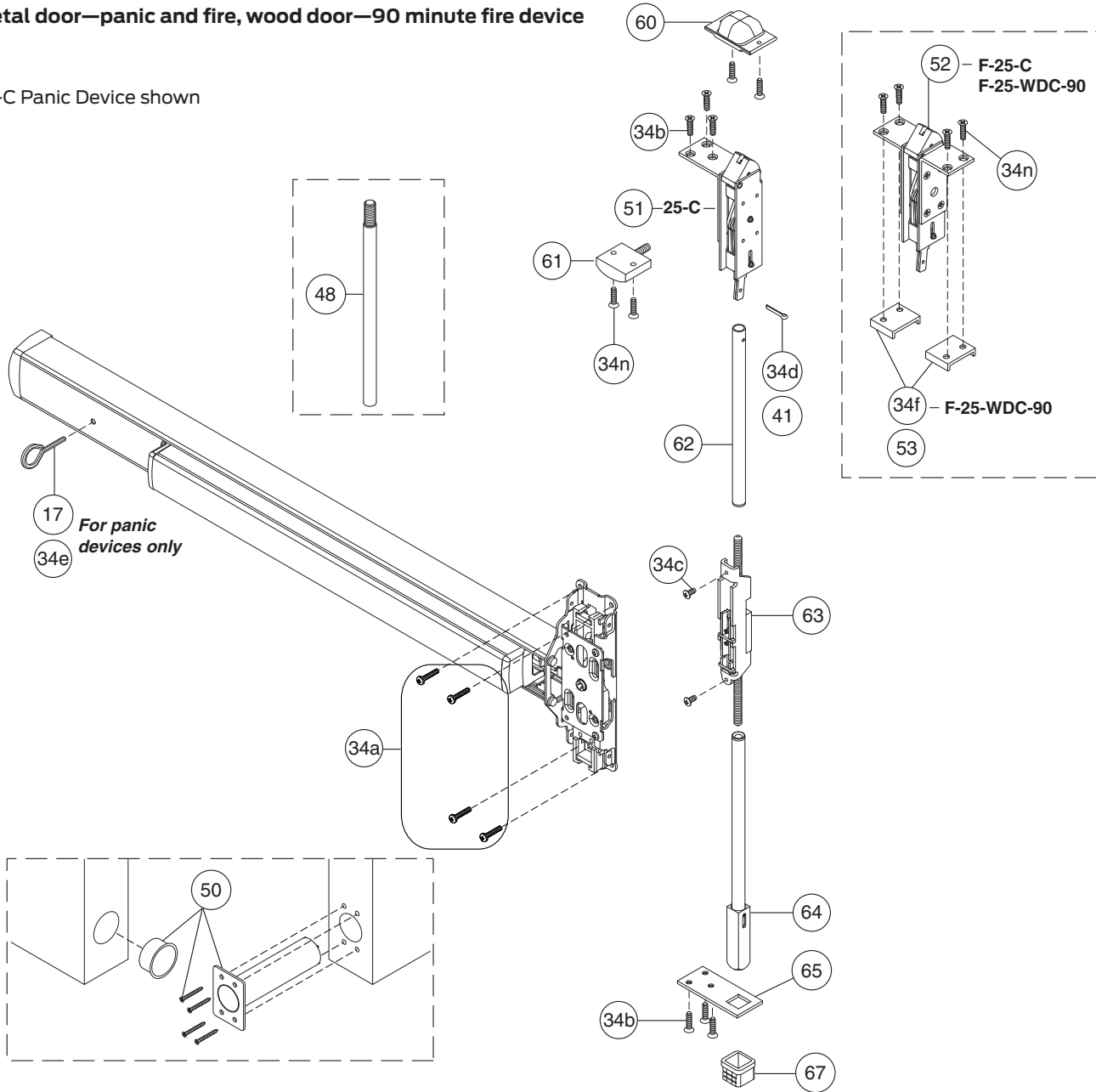
A Specify by finish: US3, US4, US10, US26, US26D, US32, US32D, US28, 313AN

B Channel Covers for CD, EA, HWEA, KOR, shown on **page 72**

(F)25-C and F-25-C-WDC-90 concealed vertical rods and latches

Metal door—panic and fire, wood door—90 minute fire device

25-C Panic Device shown



No.	Qty.	Part no.	Description	Package contents	Notes
17	1	060109	Hex Dogging Key 7/32" package of 10		
34	1	650317	F-25-C Mounting Pkg 1 3/4" Door	34a 8- #10-24 x 3/4" PPHMS 34b 7- #10-24 x 3/4" FPHMS 34c 2- #8-32 x 3/8" UFPHMS 34d 1- 1/8 x 1" Cotter Key — 2- 1/4-20 x 3/4" PPHMS	*

25 Series

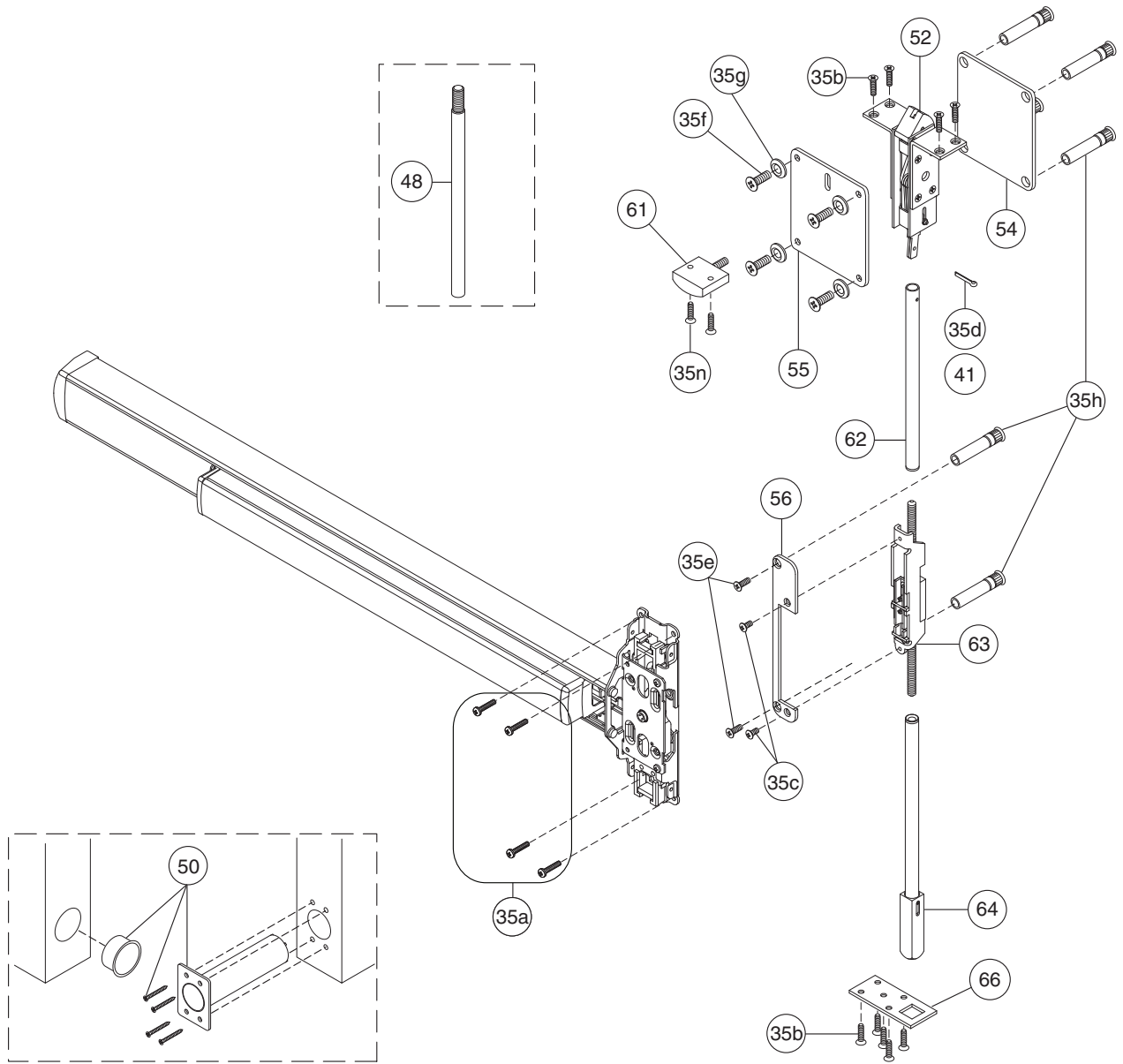
No.	Qty.	Part no.	Description	Package contents	Notes	
34	1	650318	25-C Mounting Pkg 1¾" Door	34a	8- #10 x 1¼" PPHSMS	*
				34b	6- #10-24 x ¾" FPHMS	
				34c	2- #8-32 x ¾" UFPHMS	
				34d	1- ½ x 1" Cotter Key	
				34e	1- Dogging Key	
				—	2- #14 x 1" PPHSMS	*
		650299	F-25-CWDC Mounting Pkg 1¾" Door	34a	4- #10 x 1¼" PPHSMS	*
				34a	8- #10-24 x ¾" PPHMS	
				34b	3- #10 x 1¼" FPHSMS	*
				34c	2- #8-32 x ¾" UFPHMS	
				34d	1- ½ x 1" Cotter Key	
				34f	2- Latch Bracket	
				34n	6- #10-24 x ¾" FPHMS	
		650296	F-25-CWDC Mounting Pkg 2¼" Door	34a	4- #10 x 1¼" PPHSMS	*
				34a	8- #10-24 x ¾" PPHMS	
				34b	3- #10 x 1¼" FPHSMS	*
				34c	2- #8-32 x ¾" UFPHMS	
				34d	1- ½ x 1" Cotter Key	
				34f	2- Latch Bracket	
				34n	6- #10-24 x ¾" FPHMS	
650300	25-C Mounting Pkg 2¼" Door	34a	8- #10 x 1¼" PPHSMS	*		
		34b	6- #10-24 x 1¼" FPHMS			
		34c	2- #8-32 x ¾" UFPHMS			
		34d	1- ½ x 1" Cotter Key			
		34e	1- Dogging Key			
		—	2- #14 x 1" PPHSMS	*		
650346	F-25-C Mounting Pkg 2¼" Door	34a	8- #10-24 x 1¼" PPHMS			
		34b	7- #10-24 x 1¼" FPHMS			
		34c	2- #8-32 x ¾" UFPHMS			
		34d	1- ½ x 1" Cotter Key			
		—	2- ¼-20 x 1¼" PPHMS	*		
41	1	060111	½ x 1" Cotter Key package of 10			
48	1	650017	Concealed Vertical Extension Rod 12"			
		650018	Concealed Vertical Extension Rod 24"			
		650019	Concealed Vertical Extension Rod 36"			
50	1	5494	Auxiliary Fire Latch Kit (Less Bottom Rod application only)			
51	1	603L	25-C, CWDC Top Latch Case LHR			
		603R	25-C, CWDC Top Latch Case RHR			
52	1	F603	F-25-C Top Latch Case			
53	2	4694	F-25 CWDC Latch Bracket			
60	1	4188	Concealed Vertical Top Rod Strike			
61	1	650339	(F)25-C, CWDC Top Latch Release Kit		A	
62	1	610061	(F)25-C, CWDC Top Rod Kit			
63	1	650376	(F)25-C, CWDC Center Slide Assembly			
64	1	610057	(F)25-C, CWDC Bottom Rod Kit			
65	1	4567	25-C Bottom Bolt Guide			
67	1	2130	Vertical Rod Bottom Strike			

* Items for 24 Series devices only, not shown.

A Specify by finish: US3, US4, US10, US26, US26D, US32, US32D, US28, 313AN

25-C-WDC and F-25-C-WDC-20 concealed vertical rods and latches

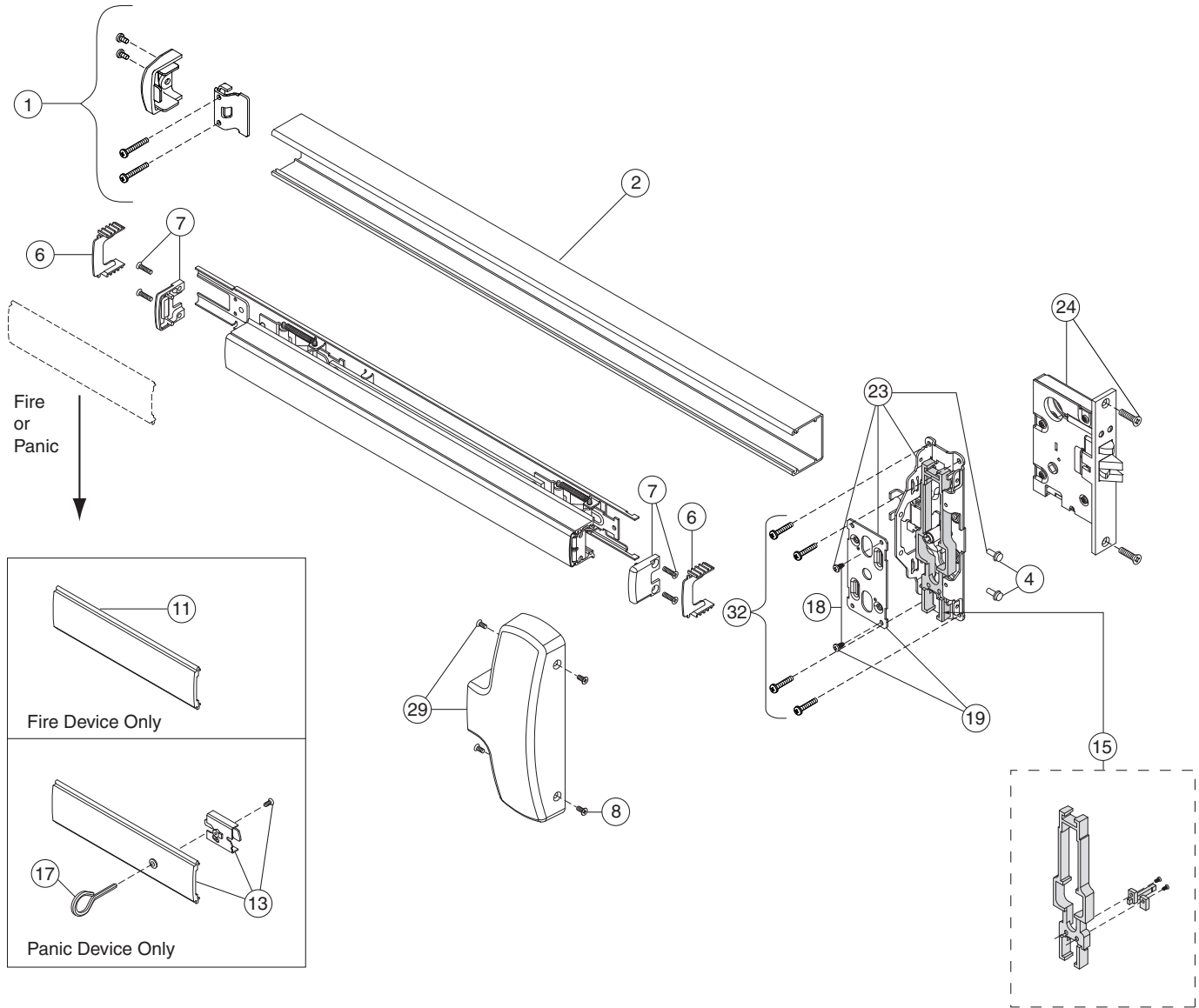
Wood door—panic devices, wood door—20 minute fire device



F-25-C-WDC-20 Device shown

(F)25-M mortise exit device

Panic and fire



No.	Qty.	Part no.	Description	Package contents	Notes
1	1	650294	25 Channel Endcap Kit 1 $\frac{3}{4}$ " Door	1- Channel Endcap 2- #10-24 x $\frac{3}{8}$ " PPHMS 1- Channel Endcap Bracket 2- #10-24 x 1" PPHMS 2- #10 x 1 $\frac{1}{4}$ " PPHSMS	A

25 Series

No.	Qty.	Part no.	Description	Package contents	Notes	
1	1	650348	25 Channel Endcap Kit 2 1/4" Door	1- Channel Endcap	A	
				2- #10-24 x 3/8" PPHMS		
				1- Channel Endcap Bracket		
				2- #10-24 x 1" PPHMS		
				2- #10 x 1 1/4" PPHSMS		
2	1	661412	25 Channel 3'		A	
		661413	25 Channel 4'			
4	1	600305	25 Channel Screw package of 10	#10-16 x 1/2" Hex Washer Head Taptite		
6	1	600319	25 Pushbar Guide Pkg	2- Pushbar Guide		
7	1	600310	25 Pushbar Endcap Kit	2- Pushbar Endcap	A	
				4- #8-18 x 3/4" FPHSMS		
8	1	600307	25 Center Case Cover Screw Pkg	4- #8-18 x 3/8" UFPHMS	A	
11	1	650227	F-25 Channel Cover Plate 3'		B	
		650228	F-25 Channel Cover Plate 4'			
13	1	650191	25 Hex Dogging Kit 3'	1- Panic Channel Cover (3' or 4') 1- Dogging Subassembly	A	
		650192	25 Hex Dogging Kit 4'	1- #8-32 x 3/8" UFPHMS		
15	1	650377	25-M Center Case Slide Bar Assembly LHR		C	
		650378	25-M Center Case Slide Bar Assembly RHR			
17	1	060109	Hex Dogging Key 7/32" package of 10			
18	1	600308	25-V/M/C Housing Screw Pkg	2- #8-32 x 3/8" PPHMS Trilob		
19	1	650261	25-V/M/C Housing Kit	2- #8-32 x 3/8" PPHMS Trilob		
				1- Vertical Housing		
23	1	650246	(F)25-M Center Case Kit, RHR	1- Center Case		
				2- #10-16 x 1/2" Hex Washer Head Taptite		
				1- Mortise Finger		
		650398	(F)25-M Center Case Kit, LHR	1- Mortise Block		
				2- #10-24 x 3/8" UFPHMS		
24	1	8500	Mortise Lock Assembly	1- Mortise Lock		
				2- #12-24 x 1/2" UFPHMS		
29	1	650259	(F)25-C, M Center Case Cover Kit	1- Center Case Cover	A	
				4- #8-18 x 3/8" UFPHMS		
32	1	650345	(F)25-R/M Mounting Pkg 1 3/4" Door	6- #10 x 1 1/4" PPHSMS	*	
				4- #10-24 x 3/4" PPHMS		
				2- #10-24 x 1" PPHMS		*
				1- Tailpiece Guide		*
		650293	(F)25-R/M Mounting Pkg 2 1/4" Door	6- #10 x 1 1/4" PPHSMS	*	
				4- #10-24 x 1 1/4" PPHMS		
				2- #10-24 x 1 1/2" PPHMS	*	
			1- Tailpiece Guide	*		

* Item(s) not shown.

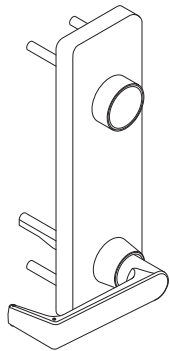
B Channel Covers for CD, EA, HWEA, KOR, see **page 72**

A Specify by finish: US3, US4, US10, US26, US26D, US32, US32D, US28, 313AN

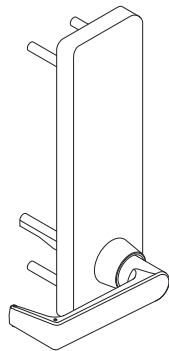
C Lift Finger is pre-installed on the Slide Bar Assembly. Screws secured with Loctite®.

25 Series trim: lever (510), vandal resistant (vr) lever (511), knob (513)

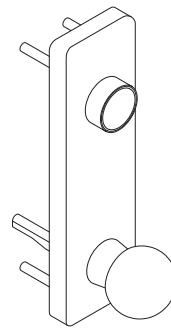
510L, 510L-BE, 513K, 513K-BE, 511L



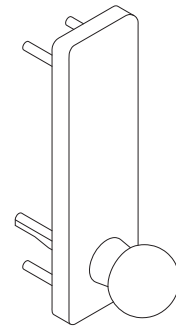
510L
511L



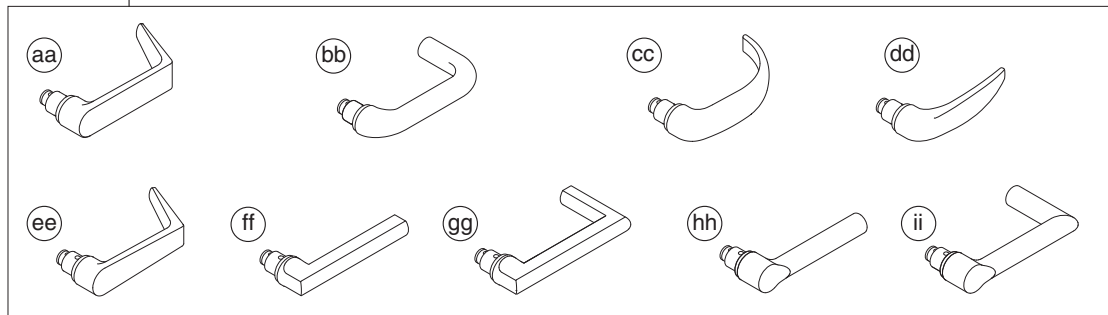
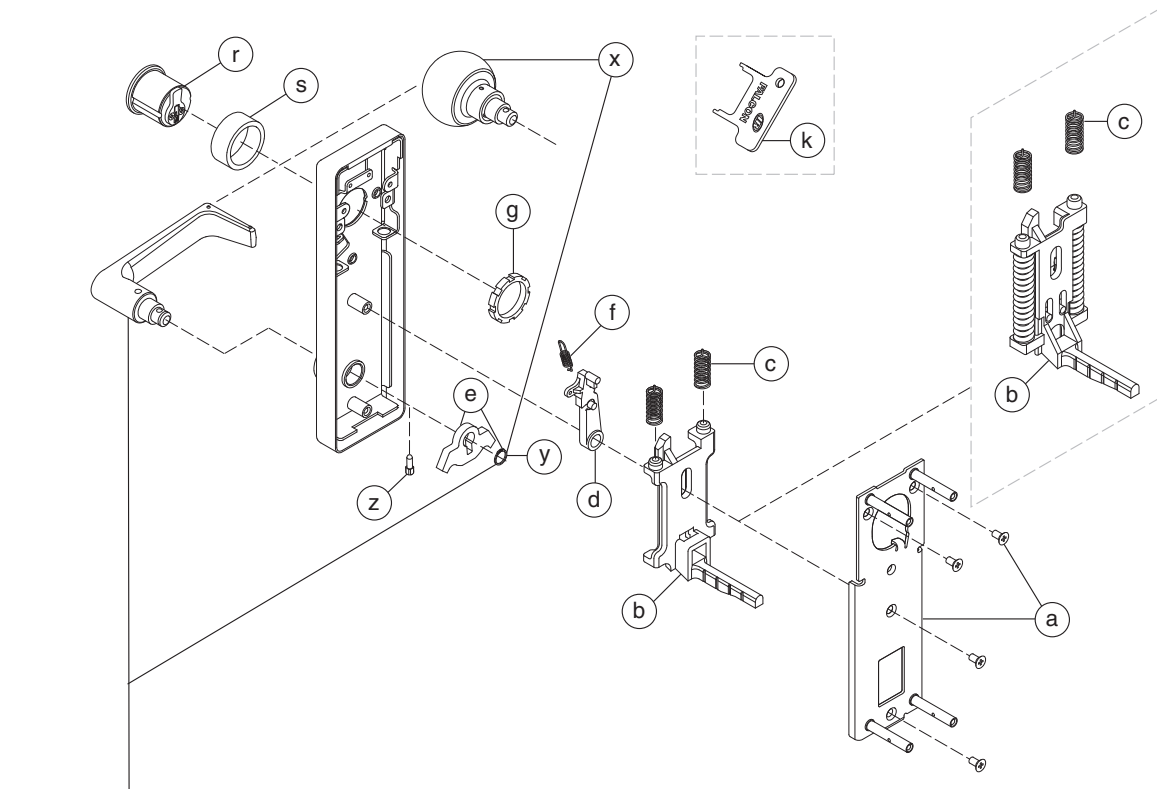
510L-BE



513K



513K-BE



25 Series

No.	Qty.	Part no.	Description	Package contents	Notes
a	1	600272	Backplate Assembly	1– Backplate Assy 4– #10-24 x 3/8" UFPHMS	
b	1	600273	510/512/513 Slider Assembly		
		600282	VR Slider Assembly		
c	1	600274	L (Lever) Springs package of 2		
		600284	K (Knob) / T (Thumbpiece) Springs package of 2		
d	1	600275	Locking Hook Pkg		
e	1	600276	L/K Spindle Cam Pkg	1– Spindle Cam	
				1– Spindle Cam Retaining Ring	
f	1	090041	Hook Spring Pkg		
g	1	600278	Cylinder Lock Nut Pkg		
k	1	600279	Cylinder Nut Tool Pkg	5– Cylinder Nut Tools	
r	1	986	1 1/4" Mortise Cylinder		A
s	1	600296	Security Collar Pkg		A
x	1	600298	Knob Assembly	1– Knob Assembly	A
				1– Retaining Ring	
y	1	600277	Spindle Cam Retaining Ring Pkg	10– Retaining Rings	
z	1	650267	Shear Pin package of 10		
		600283	VR Shear Pin package of 10		
aa	1	050006	Dane Lever Kit	1– Lever Assembly 1– Retaining Ring	A
bb	1	050003	Sutro Lever Kit		
cc	1	050017	Quantum Lever Kit		
dd	1	600337	Avalon Lever		A
ee	1	050990	Danish Lever		A
ff	1	050991	Broadway Lever		A
gg	1	050992	Boardwalk Lever		A
hh	1	050988	Latitude Lever		A
ii	1	050989	Longitude Lever		A

* Item(s) not shown

A Specify by finish: SP28, SP313, US3, US4, US10, US15, US19, US26, US26D, US32, US32D, 643E

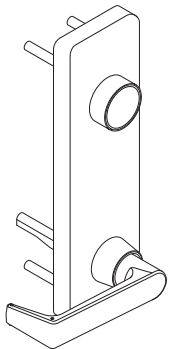
Note: Vandal Resistant VR) Lever Trims are available on rim, vertical, mortise and concealed devices, and work with all electric lock and unlock functions.

Specifications:

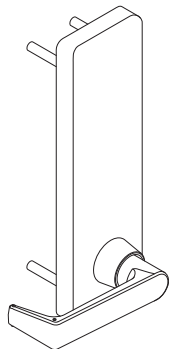
Escutcheon:	2 3/4" x 9 3/4"
Knob Projection:	3 3/8"
Lever Projection:	Dane 2 13/16"
	Quantum 3 1/2"
	Sutro 3 13/16"
	Avalon 3 1/8"
	Danish 2 7/8"
	Broadway 3 1/4"
	Boardwalk 3 1/4"
	Latitude 3 1/8"
	Longitude 3 1/8"

25 Series trim: lever (510), knob (513)

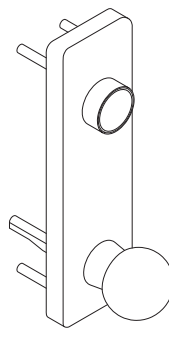
510L-NL, 510L-DT, 513K-NL, 513K-DT



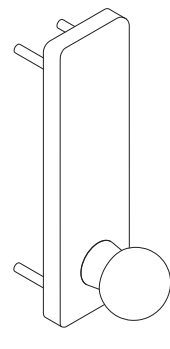
510L-NL



510L-DT

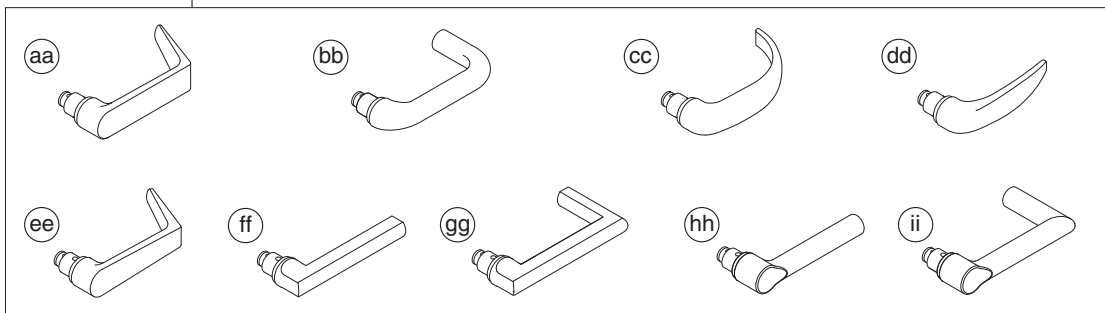
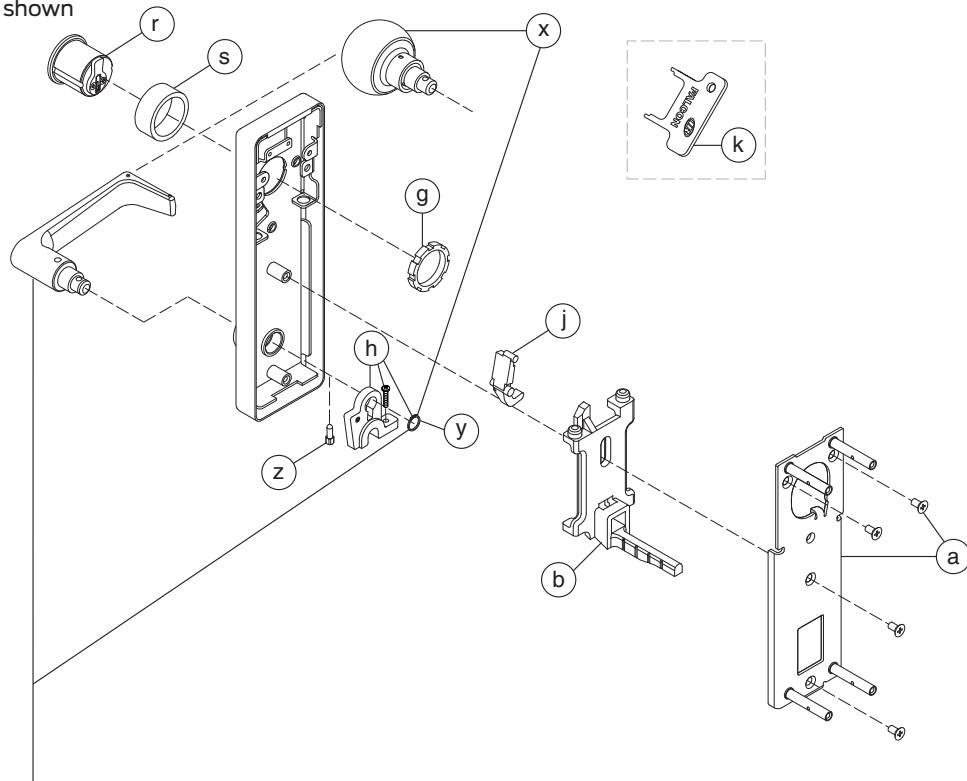


513K-NL



513K-DT

510L-NL Trim shown



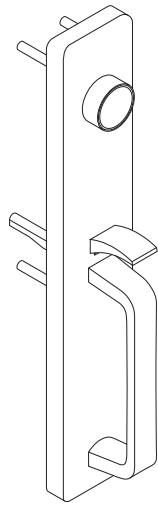
25 Series

No.	Qty.	Part no.	Description	Package contents	Notes
a	1	600272	Backplate Assembly	1– Backplate Assy 4– #10-24 x 3/8" UFPHMS	
b	1	600273	510/512/513 Slider Assembly		
g	1	600278	Cylinder Lock Nut Pkg		
h	1	600280	Dummy Spindle Cam Kit	1– Spindle Cam Dummy	
				1– Spindle Cam Retaining Ring	
				1– #10-24 x 3/4" PPHMS	
j	1	600281	NL Cam Pkg		
k	1	600279	Cylinder Nut Tool Pkg	5– Cylinder Nut Tools	
r	1	986	1 1/4" Mortise Cylinder		A
s	1	600296	Security Collar Pkg		A
x	1	600298	Knob Assembly	1– Knob Assembly	A
				1– Retaining Ring	
y	1	600277	Spindle Cam Retaining Ring package of 10		
z	1	650267	Shear Pin package of 10		
aa	1	050006	Dane Lever Assembly Kit	1– Lever Assembly 1– Retaining Ring	A
bb	1	050003	Sutro Lever Assembly Kit		
cc	1	050017	Quantum Lever Assembly Kit		
dd		600337	Avalon Lever		A
ee	1	050990	Danish Lever		A
ff	1	050991	Broadway Lever		A
gg	1	050992	Boardwalk Lever		A
hh	1	050988	Latitude Lever		A
ii	1	050989	Longitude Lever		A

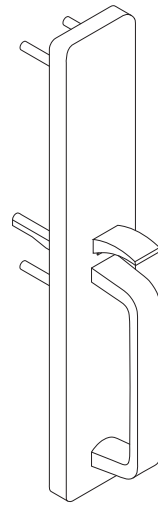
A Specify by finish: SP28, SP313, US3, US4, US10, US15, US19, US26, US26D, US32, US32D, 643E

25 Series trim: thumbpiece (512)

512TP, 512TP-BE

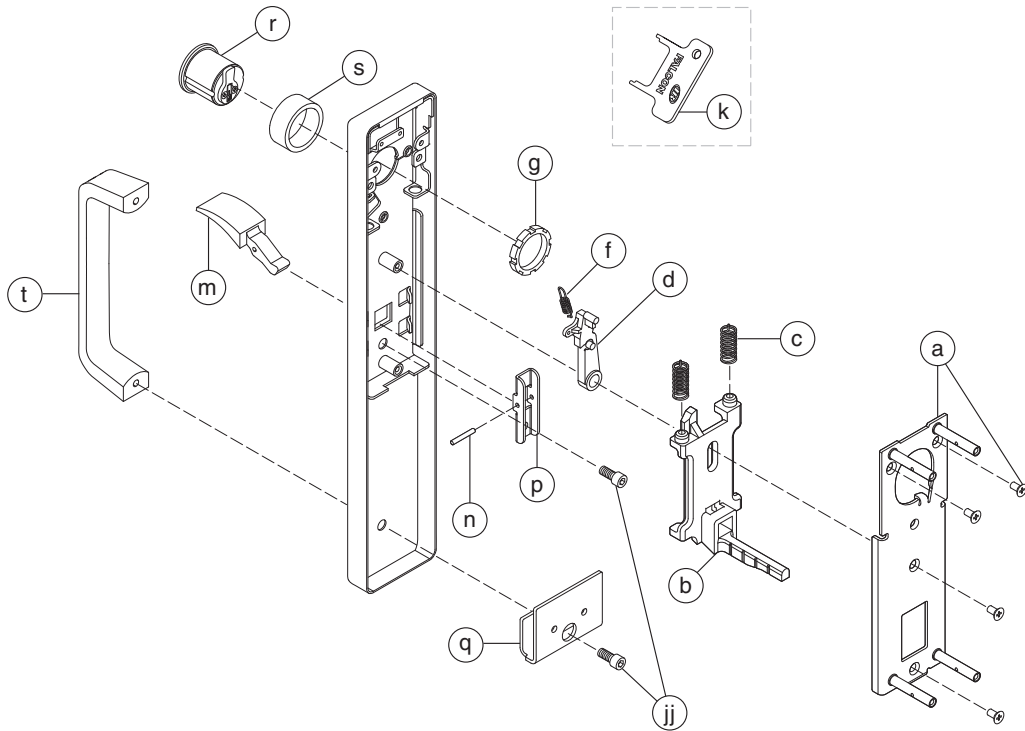


512TP



512TP-BE

512TP shown



25 Series

No.	Qty.	Part no.	Description	Package contents	Notes
a	1	600272	Backplate Assembly	1– Backplate Assy 4– #10-24 x 3/8" UFPHMS	
b	1	600273	510/512/513 Slider Assembly		
c	1	600284	K/T Springs package of 2		
d	1	600275	Locking Hook Pkg		
f	1	090041	Hook Spring Pkg		
g	1	600278	Cylinder Lock Nut Pkg		
k	1	600279	Cylinder Nut Tool Pkg	5– Cylinder Nut Tools	
m	1	600285	Thumbpiece Pkg		A
n	1	600286	Thumbpiece Pivot Pin Pkg		
p	1	600287	Thumbpiece Bracket Pkg		
q	1	600289	Lower Pull Bracket Pkg 1 3/4" Door	1– Lower Pull Bracket	A
				1– 1/4-20 x 2 1/4" FPHMS *	
				1– Finish Washer *	
		600290	Lower Pull Bracket Pkg 2 1/4" Door	1– Lower Pull Bracket	
				1– 1/4-20 x 2 3/4" FPHMS *	
				1– Finish Washer *	
r	1	986	1 1/4" Mortise Cylinder		A
s	1	600296	Security Collar Pkg		A
t	1	600297	512TP Pull		A
jj	1	600288	Pull Grip Screw package of 10	1/4-20 x 1/2" Hex Socket Head Cap Screw	

* Item(s) not shown

A Specify by finish: SP28, SP313, US3, US4, US10, US15, US19, US26, US26D, US32, US32D, 643E

Specifications:

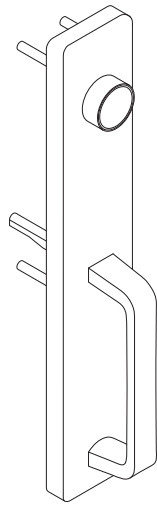
Escutcheon: 2 3/4" x 16"

Grip: 6 1/4" C-C

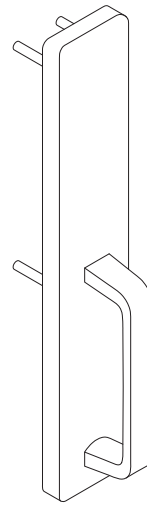
Projection: 2 1/16"

25 Series trim: thumbpiece (512)

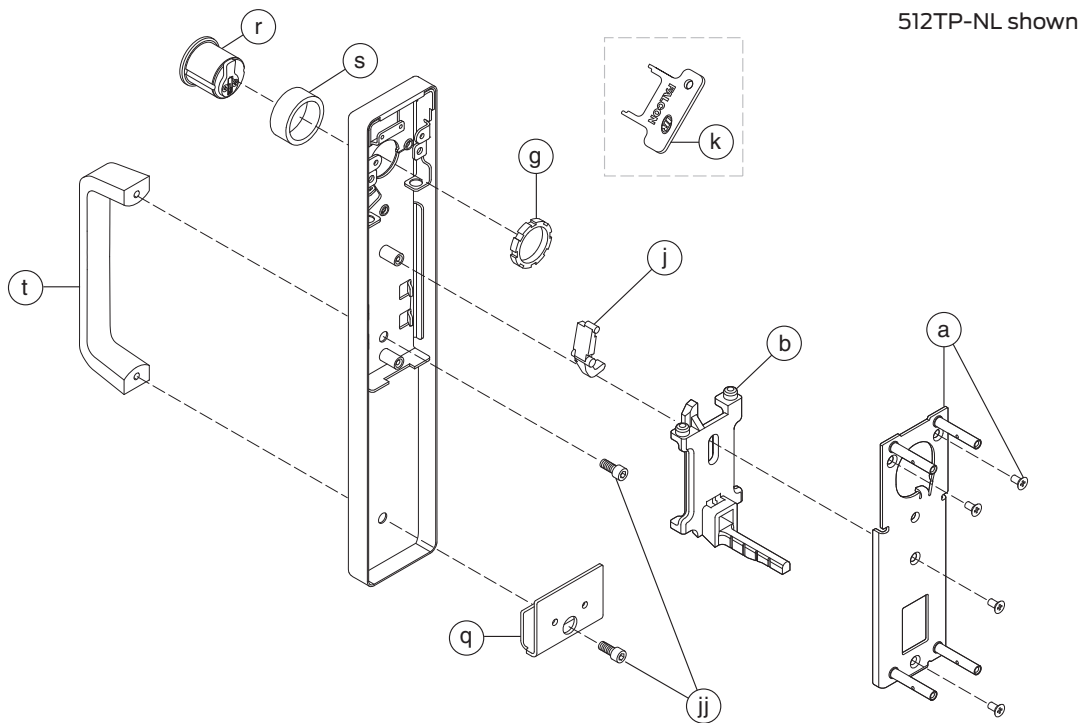
512TP-NL, 512-DT



512TP-NL



512-DT



25 Series

No.	Qty.	Part no.	Description	Package contents	Notes
a	1	600272	Backplate Assembly	1– Backplate Assy 4– #10-24 x 3/8" UFPHMS	
b	1	600273	510/512/513 Slider Assembly		
g	1	600278	Cylinder Lock Nut Pkg		
j	1	600281	NL Cam Package		
k	1	600279	Cylinder Nut Tool Pkg	5– Cylinder Nut Tools	
q	1	600289	Lower Pull Bracket Pkg 1 3/4" Door	1– Lower Pull Bracket	A
				1– 1/4-20 x 2 1/4" FPHMS *	
				1– Finish Washer *	
		600290	Lower Pull Bracket Pkg 2 1/4" Door	1– Lower Pull Bracket	
				1– 1/4-20 x 2 3/4" FPHMS *	
				1– Finish Washer *	
r	1	986	1 1/4" Mortise Cylinder		A
s	1	600296	Security Collar Pkg		A
t	1	600297	512TP Pull		A
jj	1	600288	Pull Grip Screw package of 10	1/4-20 x 1/2" Hex Socket Head Cap Screw	

* Item(s) not shown

A Specify by finish: SP28, SP313, US3, US4, US10, US26, US26D, US32, US32D

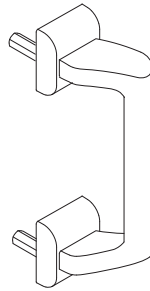
Specifications:

Escutcheon: 2 3/4" x 16"
 Grip: 6 1/4" C-C
 Projection: 2 11/16"

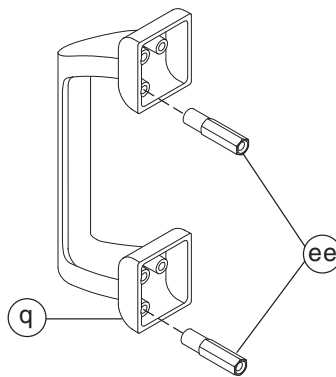
25 Series

25 Series trim: delta pull

717-DT



717DT



No.	Qty.	Part no.	Description	Package contents	Notes
q	2	600289	Lower Pull Bracket Pkg 1 ³ / ₄ " Door	1- Lower Pull Bracket	A
				2- 1/4-20 x 2 ¹ / ₄ " FPHMS	*
				1- Finish Washer	*
ee	2	600290	Lower Pull Bracket Pkg 2 ¹ / ₄ " Door	1- Lower Pull Bracket	A
				2- 1/4-20 x 2 ³ / ₄ " FPHMS	*
				1- Finish Washer	*
		4270	700 Series Trim Hex Stud		

* Item(s) not shown. Specify finish when ordering.

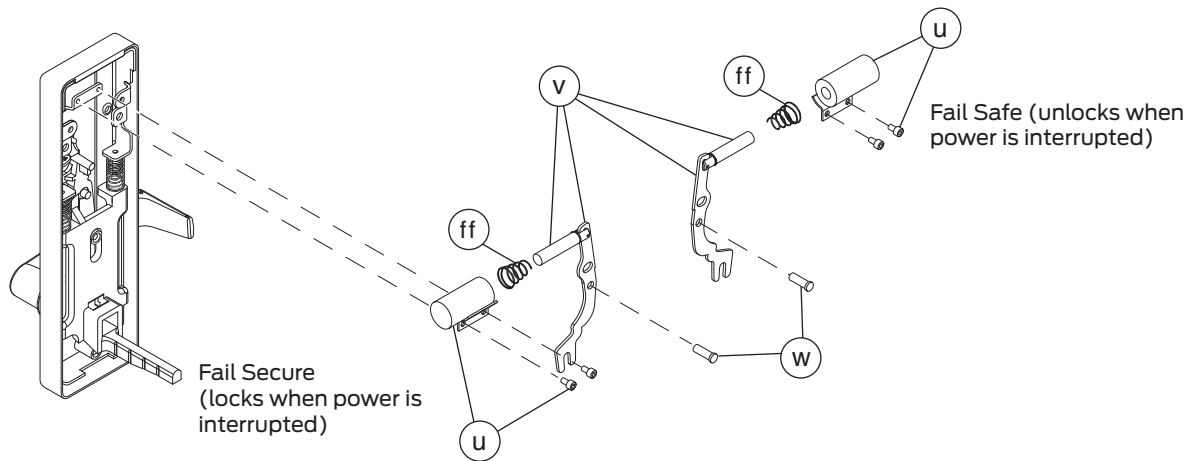
A Specify by finish: SP28, SP313, US3, US4, US10, US26, US26D, US32, US32D

Specifications:

Grip: 6¹/₄"
 Projection: 2"

25 Series

25 Series trim: FSA/FSE, electric lock/unlock



No.	Qty.	Part no.	Description	Package contents	Notes
u	1	600293	FSA/FSE Trim Solenoid Kit	1- FSA/FSE Trim Solenoid 2- #6-32 x 1/4" Socket Hex Head Cap Screw	
v	1	600294	FSA/FSE Trim Solenoid Plunger Pkg	1- E-Trim Link 1- E-Trim Plunger 1- Spirol Pin	*
w	1	600295	FSA/FSE Pivot Pin		
ff	1	650278	FSA/FSE Trim Solenoid Spring		

* Item(s) not shown

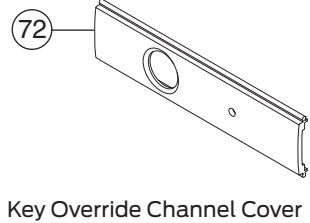
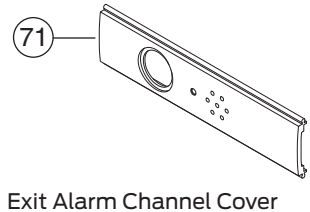
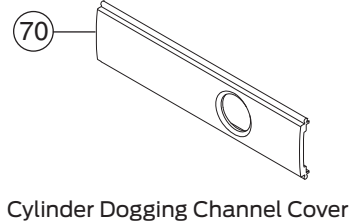
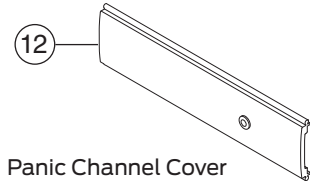
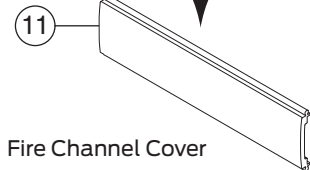
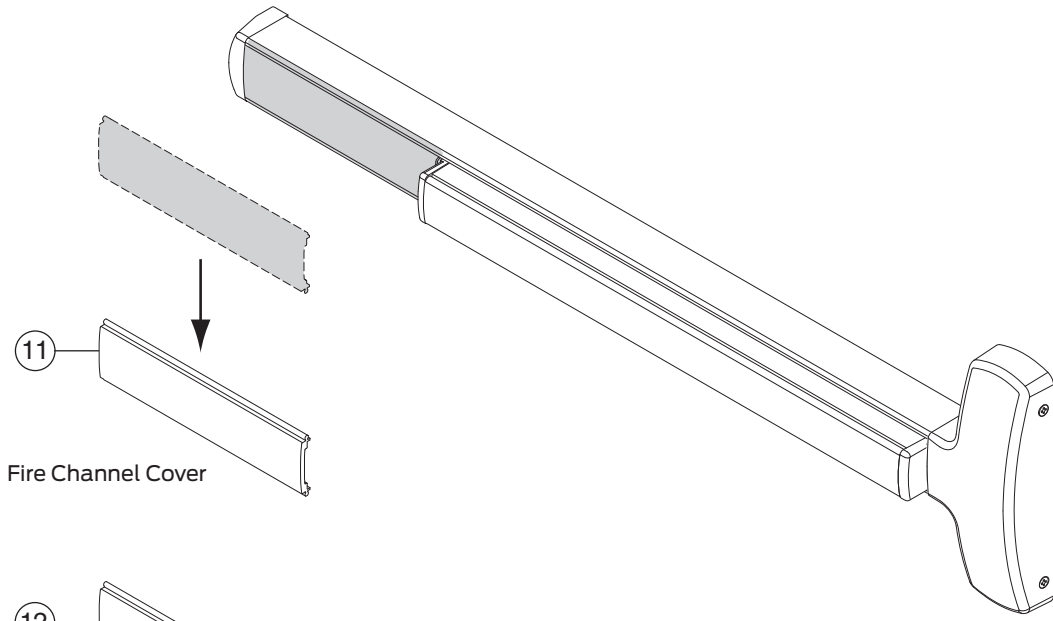
Specifications:

Solenoid rated for continuous duty at 24V DC 0.34 Amps.
Power transfer hinge 2-wire minimum rated 1/2 Amp.

Wire Gauge Requirement:

0-500 foot wire run — 18 AWG
501-700 foot wire run — 16 AWG

24/25 Series channel cover plate options



No.	Qty.	Part no.	Description	Notes
11	1	650227	F-25 Channel Cover Plate 3'	A
	1	650228	F-25 Channel Cover Plate 4'	
	1	650121	F-24 Channel Cover Plate 3'	
	1	650122	F-24 Channel Cover Plate 4'	
12*	1	650191	25 Series Panic Channel Cover Plate 3'	
	1	650192	25 Series Panic Channel Cover Plate 4'	
	1	650187	24 Series Panic Channel Cover Plate 3'	
	1	650188	24 Series Panic Channel Cover Plate 4'	
70	1	650119	25 Series CD Channel Cover Plate 3'	
	1	650120	25 Series CD Channel Cover Plate 4'	
	1	650117	24 Series CD Channel Cover Plate 3'	
	1	650116	24 Series CD Channel Cover Plate 4'	
71	1	650135	25 Series EA Channel Cover Plate 3'	
	1	650136	25 Series EA Channel Cover Plate 4'	
	1	650131	24 Series EA Channel Cover Plate 3'	
	1	650132	24 Series EA Channel Cover Plate 4'	
72	1	650143	25 Series KOR Channel Cover Plate 3'	
	1	650144	25 Series KOR Channel Cover Plate 4'	
	1	650139	24 Series KOR Channel Cover Plate 3'	
	1	650140	24 Series KOR Channel Cover Plate 4'	

A Specify by finish: 313AN, US3, US4, US10, US26, US26D, US32, US32D, US28

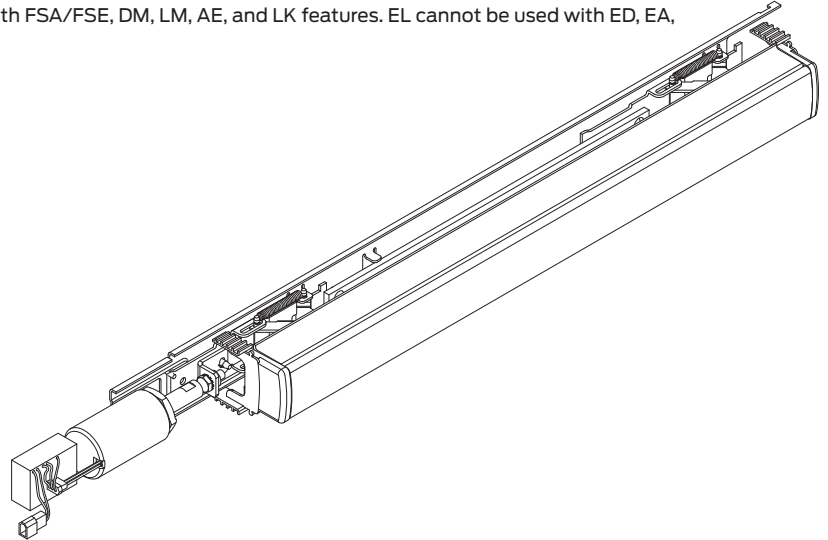
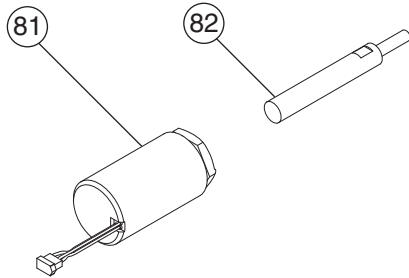
* 24 and 25 Panic Channel Cover Plates are included in the Hex Dogging Kit (part numbers shown above are Hex Dogging Kit part numbers).

24/25 Series electrical options

Electric latch retraction (EL), exit alarm (EA), hard wired exit alarm (HWEA)

80 Electric latch retraction

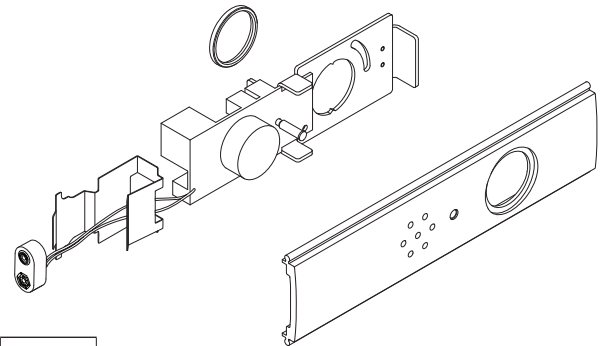
Available on all panic and fire devices. EL can be used with FSA/FSE, DM, LM, AE, and LK features. EL cannot be used with ED, EA, HWEA or KOR.



83 Exit alarm

Available on all panic and fire devices. EA can be used with FSA/FSE, DM, LM, and AE features.

Note: This kit is for new design Exit Alarm available as of June 2012. For Exit Alarm assemblies built prior to June 2012 a replacement Hard Wired Exit Alarm (HWEA) circuit board is available, part number 650335.



No.	Qty.	Part no.	Description	Notes
80	1	650147	24/25 Electric Latch Retraction (EL) Kit 3'	B
		650148	24/25 Electric Latch Retraction (EL) Kit 4'	
81	1	600320	EL Solenoid Body Pkg	
82	1	600321	EL Solenoid Plunger Pkg	
83	1	650167	25 Series Exit Alarm (EA) Kit 3'	A
		650168	25 Series Exit Alarm (EA) Kit 4'	
		650163	24 Series Exit Alarm (EA) Kit 3'	
		650164	24 Series Exit Alarm (EA) Kit 4'	

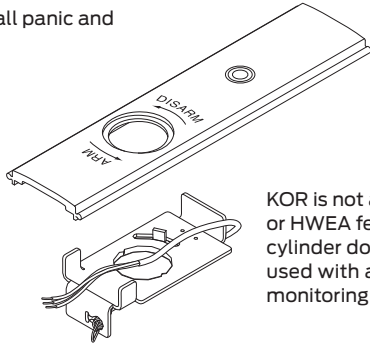
A Specify by finish: US3, US4, US10, 313AN, US26, US26D, US28, US32, US32D

B Specify by finish: SP28, US3, US4, US10, 313AN, US26, US26D, US32D

Key override (KOR), latch monitoring (LM) switch, device monitoring (DM) switch, request to exit (RX) switch

85 Key override retrofit

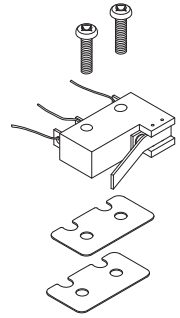
Available on all panic and fire devices.



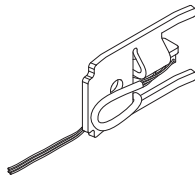
KOR is not available with EA or HWEA feature, or with cylinder dogging. Must be used with a device monitoring switch.

86 Latch monitoring, device monitoring

Not available with 24 Fire Rim devices. Device Monitoring cannot be used with Latch Monitoring.



87 RX switch kit



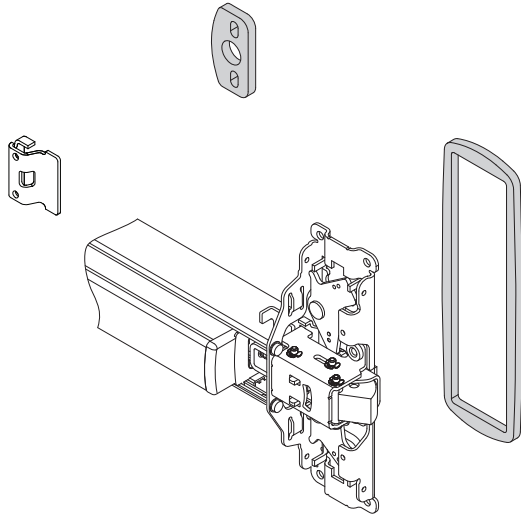
No.	Qty.	Part no.	Description	Package contents	Notes
85	1	25-KOR-K-3	25 Series Key Override (KOR) w/Standard Dogging Kit 3'	1- Channel Cover KOR	A
		25-KOR-K-4	25 Series Key Override (KOR) w/Standard Dogging Kit 4'	1- KOR Switch Assembly	
		24-KOR-K-3	24 Series Key Override (KOR) w/Standard Dogging Kit 3'		
		24-KOR-K-4	24 Series Key Override (KOR) w/Standard Dogging Kit 4'		
86	1	650210	Latch Monitoring (LM) Switch Service Kit	1- LM Switch Assembly	
				2- #2-56 x 3/8" PPHMS	
		650264	Device Monitoring (DM) Switch Service Kit	2- Switch Insulator	
				1- DM Switch Assembly	
		2- #2-56 x 3/8" PPHMS			
		2- Switch Insulator			
87	1	650359	24/25 Series RX Switch Kit	RX Switch Assembly	

A Specify by finish: US3, US4, US10, 313AN, US26, US26D, US28, US32, US32D

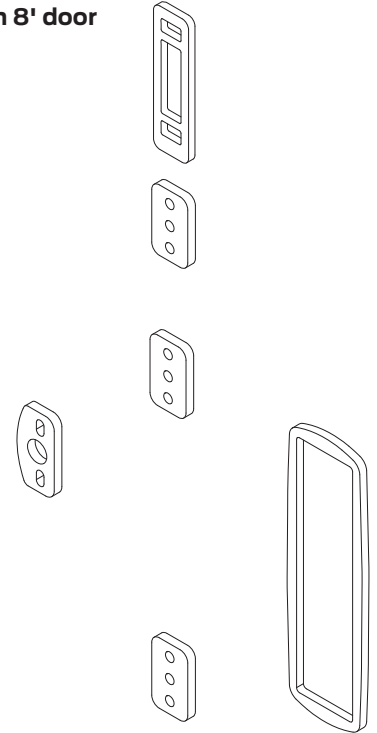
24/25 Series miscellaneous kits and parts

Glass bead kit (GBK), shim kits

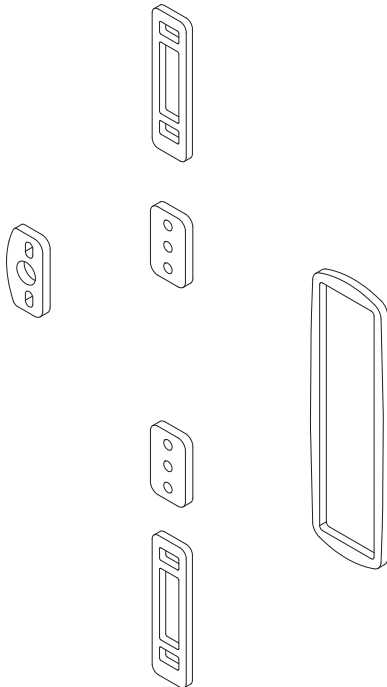
90 Rim/mortise shim kit



92 Vertical device shim kit, larger than 8' door



91 Vertical device shim kit, up to 8' door



No.	Qty.	Part no.	Description	Notes
90	1	650109	24 Rim Shim Kit 1/4"	
		650107	25 Rim or Mortise Shim Kit 1/4"	*
91	1	650110	24 Surface Vertical Device Shim Kit 1/4", > 7' up to 8' Door	
		650108	25 Surface Vertical Device Shim Kit 1/4", > 7' up to 8' Door	*
92	1	650208	24 Surface Vertical Device Shim Kit 1/4", > 8' up to 10' Door	
		650266	25 Surface Vertical Device Shim Kit 1/4", > 8' up to 10' Door	*
*	1	650106	Retrofit Shim Kit, HH-25-R, HH-F25-R (required)	*

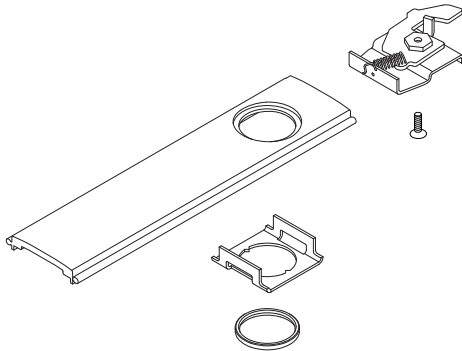
All Shim kits furnished in finish US19

* Item(s) not shown

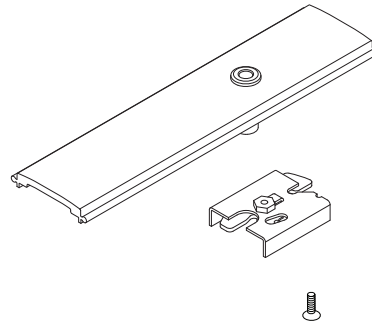
25 Series

Cylinder dogging (CD) kit, hex dogging (HD) kit and sexbolts

94 Cylinder dogging kit

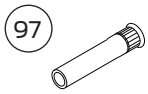
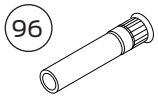


95 Hex dogging kit



Available on all panic devices. CD kit requires 1 1/8" Mortise Cylinder (part number 985).

Sexbolts



No.	Qty.	Part no.	Description	Package contents	Notes
94	1	650159	25 Series Cylinder Dogging (CD) Kit 3'	1- CD Channel Cover	A
		650160	25 Series Cylinder Dogging (CD) Kit 4'	1- CD Dogging Subassembly	
		650155	24 Series Cylinder Dogging (CD) Kit 3'	1- #8-32 x 3/8" UFPHMS	
		650156	24 Series Cylinder Dogging (CD) Kit 4'	1- Cylinder Retaining Bracket 1- Cylinder Collar	
95	1	650191	25 Series Hex Dogging (HD) Kit 3'	1- Panic Channel Cover	A
		650192	25 Series Hex Dogging (HD) Kit 4'	1- Dogging Subassembly	
		650187	24 Series Hex Dogging (HD) Kit 3'	1- #8-32 x 3/8" UFPHMS	
		650188	24 Series Hex Dogging (HD) Kit 4'		
96	2	325	1/4-20 Sexbolt		* B
97	2	425	#10-24 Sexbolt		* B

* Sold separately

A Specify by finish: US3, US4, US10, 313AN, US26, US32, US26D, US32D, US28

B Specify by finish: US3, US4, US10, SP313, US32, US32D

25 Series

Refill parts/packages

Part no.	Description	Qty	Where used															
			Device				Trims											
			24R	24V	24C	25R	25M	25V	25C	510	511	512	513	711	712	718	719	
650311	Rod Guide Pkg US32D	6		.				.										
	Rod Guide Pkg SP28	2		.				.										
	Rod Guide Pkg SP313	2		.				.										
060109	Dogging Key 7/32", package of 10	1									
600314	Cylinder Nut	10												
4208	CD/EA/KOR Cylinder Retainer Bracket	30									
060126	512/718 Lever Washer, package of 10	1														.		
4275	712 Spring Plate	10														.		
4326	Lever Spring Clip	10														.		
4841	Lever Return Spring	10													.			
060115	FSA/FSE Trim Screw 1 3/4" US3, US4, US10, pkg of 10	5										.						
	FSA/FSE Trim Screw 1 3/4" SP313, pkg of 10	5										.						
	FSA/FSE Trim Screw 1 3/4" US26, US32, US26D, US32D, SP28, pkg of 10	5										.						
640001	24 Plastic Mounting Template	2	.	.	.													
640002	25 Plastic Mounting Template	2												
060111	Cotter Key 1/8" x 1", package of 10	5										
600279	Cylinder Nut Tool, package of 5	2												
060125	FSA/FSE Pivot Pin, package of 10	2									
600319	24/25 Pushbar Guide, package of 2	10									
600278	500 Series Cylinder Locknut	10												
2729F	Sex Bolt with machine screw, #10-24 x 3/4" FPHMS	10												
2729P	Sex Bolt with machine screw, #10-24 x 3/4" PPHMS	50												
600307	24/25 Center Case Cover Screw US3, package of 4	12									
	24/25 Center Case Cover Screw US4, package of 4	12									
	24/25 Center Case Cover Screw US10, package of 4	12									
	24/25 Center Case Cover Screw SP313, package of 4	12									
	24/25 Center Case Cover Screw US26, US32, US26D, US32D, SP28, package of 4	12									
600277	510/511/513 Spindle Cam Retaining Ring, pkg of 10	2								.	.	.						
970321	299 Strike Shim	20									
325	Sex Bolt 1/4 -20 thread US32D, package of 2	10									
425	Sex Bolt #10-24 thread US32D package of 2	10									

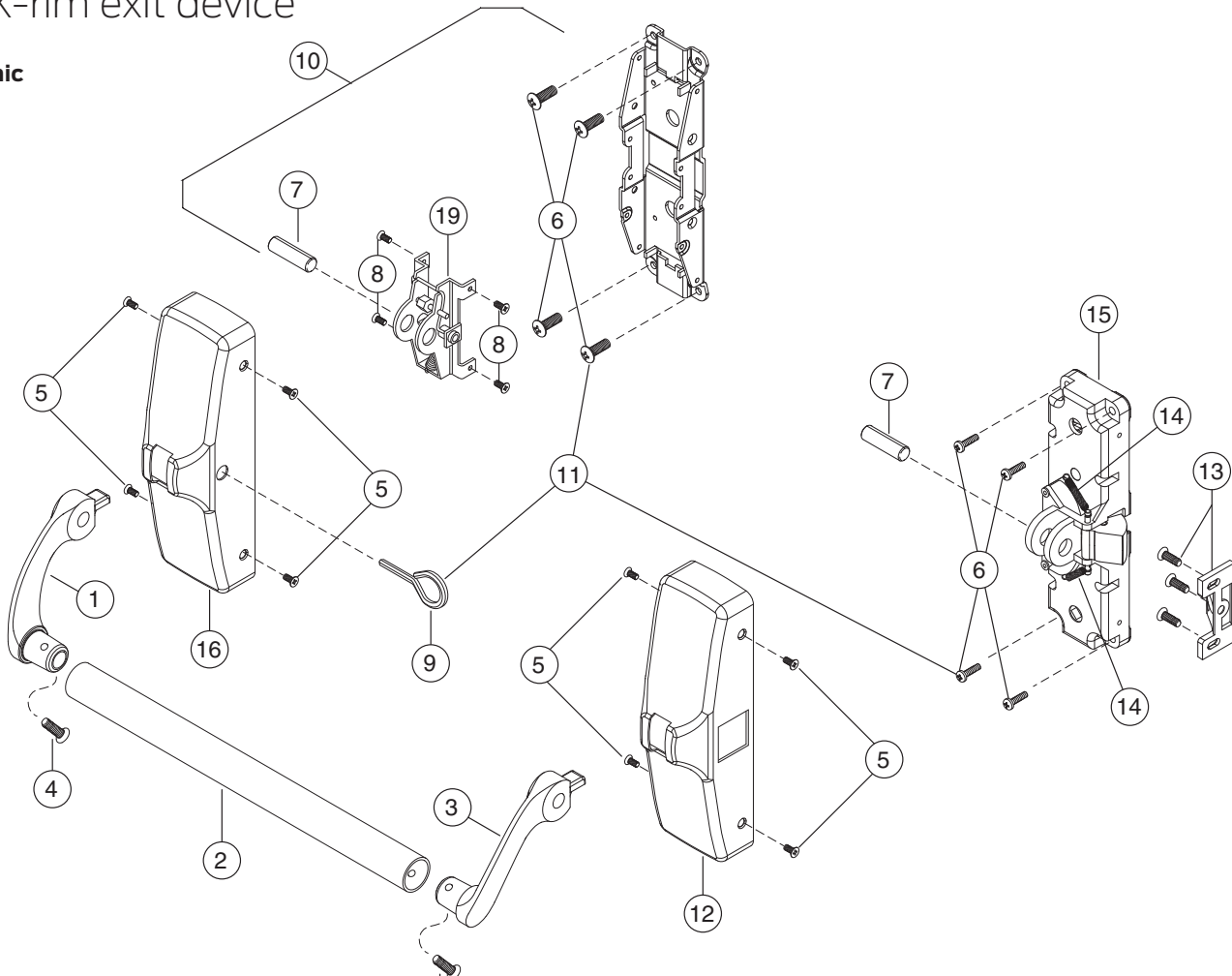
24/25 Series Maintenance Kit, Part Number 650277-00, includes all parts shown above, with additional parts not shown.

XX Series

- 78 XX-rim exit device
- 79 F-XX-rim exit device
- 80 (F)XX-rim center case
- 81 XX-V surface vertical rod exit device
- 82 F-XX-V surface vertical rod exit device
- 83 (F)XX-V surface vertical rods and latches
- 84 XX-C concealed vertical rod exit device
- 85 F-XX-C concealed vertical rod exit device
- 86 (F)XX-C concealed vertical rods and latches
- 87 (F)XX-C concealed vertical top latches and plates
- 88 XX-M mortise exit device
- 89 F-XX-M mortise exit device
- 90 (F)XX-M mortise lock

XX-rim exit device

Panic



No.	Qty.	Part No.	Description	Notes
1	1	3747	XX Series Lever Arm LH	A
2	1	3767	XX Series Crossbar	A
3	1	3746	XX Series Lever Arm RH	A
4	2	660025	1/4-20 x 1/2" Crossbar Retaining Screw	
5	1	650336	Center Case Cover Mtg Pkg (US32D)	
6	1	650113	XX-R Service Mtg Pkg	
7	2	3749	XX Series Lever Arm Axle	
8	1	060121	Latch Cover Screw package of 10 (US4, US10B, US32D)	B
9	1	060109	Hex Dogging Key 7/32" package of 10	

No.	Qty.	Part No.	Description	Notes
10	1	584	XX Series End Case Assembly	
11	1	600127	XX-R Mounting Package (includes Service Mtg Pkg (650113) and Hex Dogging Key (060109))	
12	1	3740	XX-R Series Center Case Cover	A
13	1	F570	F570 Strike (US19)	
14	2	3770	XX-R Main Cam Spring	
15	1	585	XX-R-EO/TP Center Case Assembly - Panic	
16	1	3741	XX Series End Case Cover	A
19	1	610044	XX Axle Support Housing Assembly	

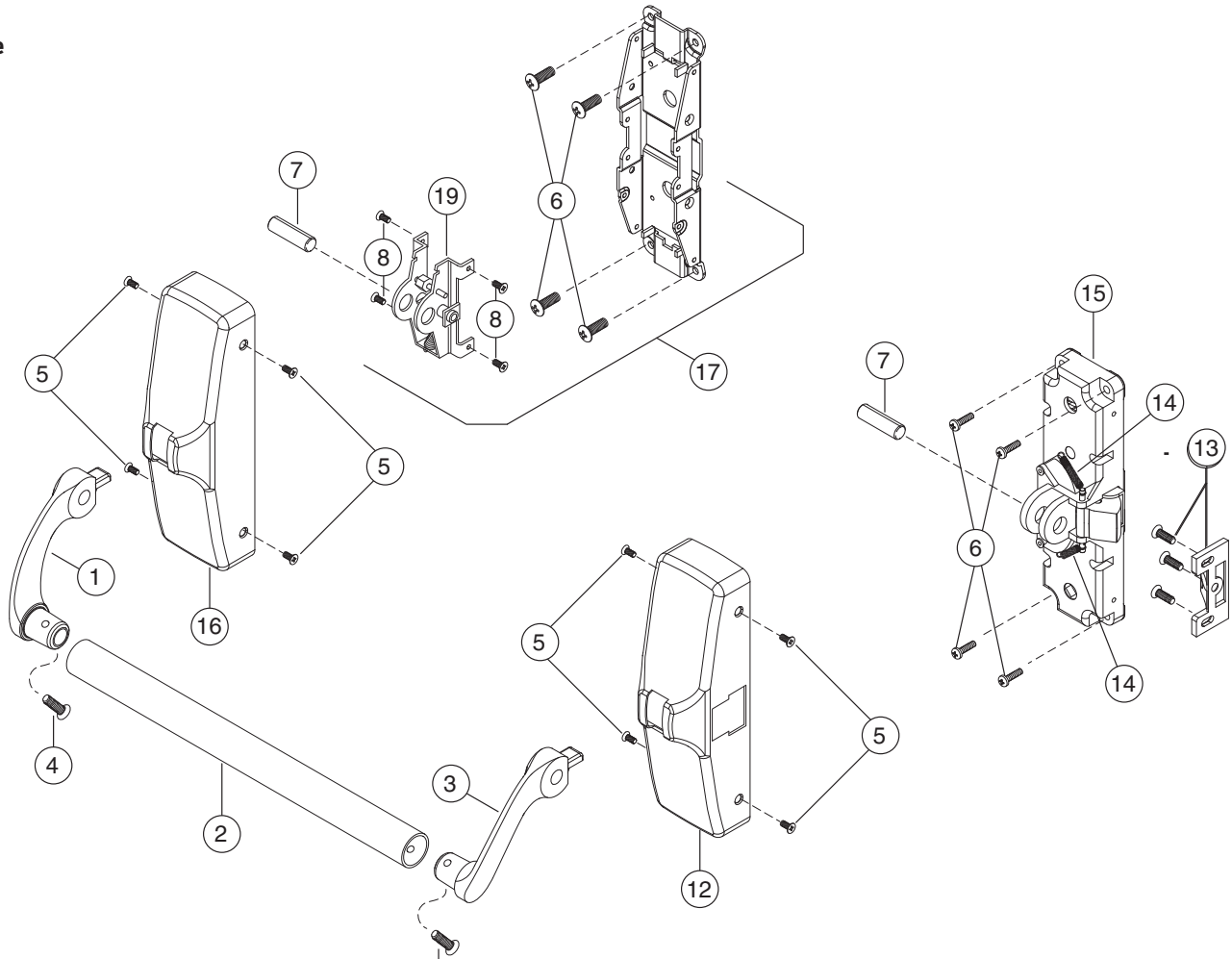
A Specify by finish: SP313, US3, US4, US10, US10B, US26, US26D, US32, US32D

B Specify by finish shown

XX Series

F-XX-rim exit device

Fire



No.	Qty.	Part No.	Description	Notes
1	1	3747	XX Series Lever Arm LH	A
2	1	3767	XX Series Crossbar	A
3	1	3746	XX Series Lever Arm RH	A
4	2	660025	1/4-20 x 1/2" Crossbar Retaining Screw	
5	1	600140	Center Case Cover Mtg Pkg (US32D)	
6	1	650133	F-XX-R Service Mtg Pkg	
7	2	3749	XX Series Lever Arm Axle	
8	1	060121	Latch Cover Screw package of 10 (specify by finish: US4, US10B, US32D)	

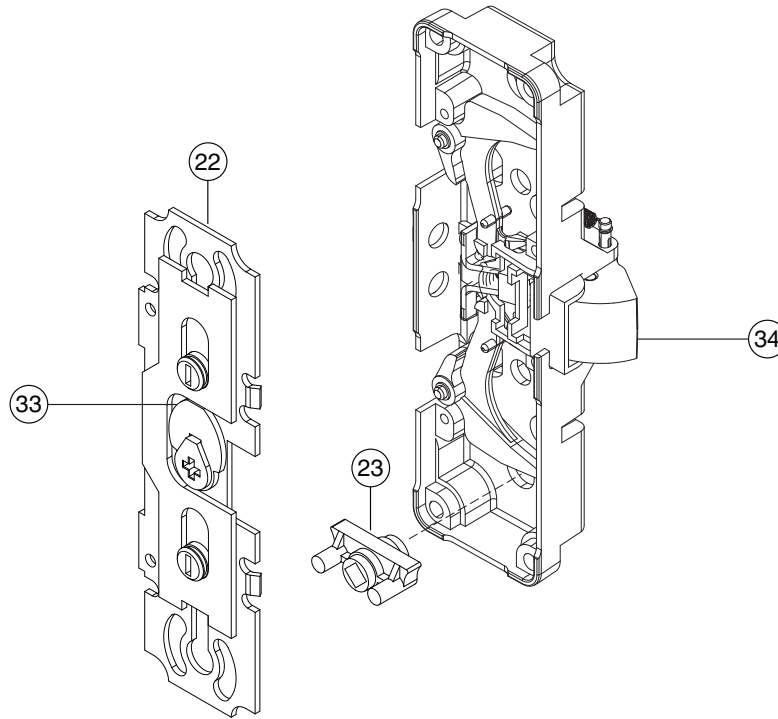
No.	Qty.	Part No.	Description	Notes
9	1	060109	Hex Dogging Key 7/32" package of 10	
12	1	3740	XX-R Center Case Cover	A
13	1	F570	F570 Strike (US19)	
14	2	3770	XX-R Main Cam Spring	
15	1	685	XX R-EO/TP Center Case Assembly - Fire	
16	1	3741	XX Series End Case Cover	A
17	1	684	XX End Case Assembly - Fire	
19	1	610044	XX Axle Support Housing Assembly	

A Specify by finish: SP313, US3, US4, US10, US26, US26D, US32, US32D

XX Series

(F)XX-rim center case

Panic and fire



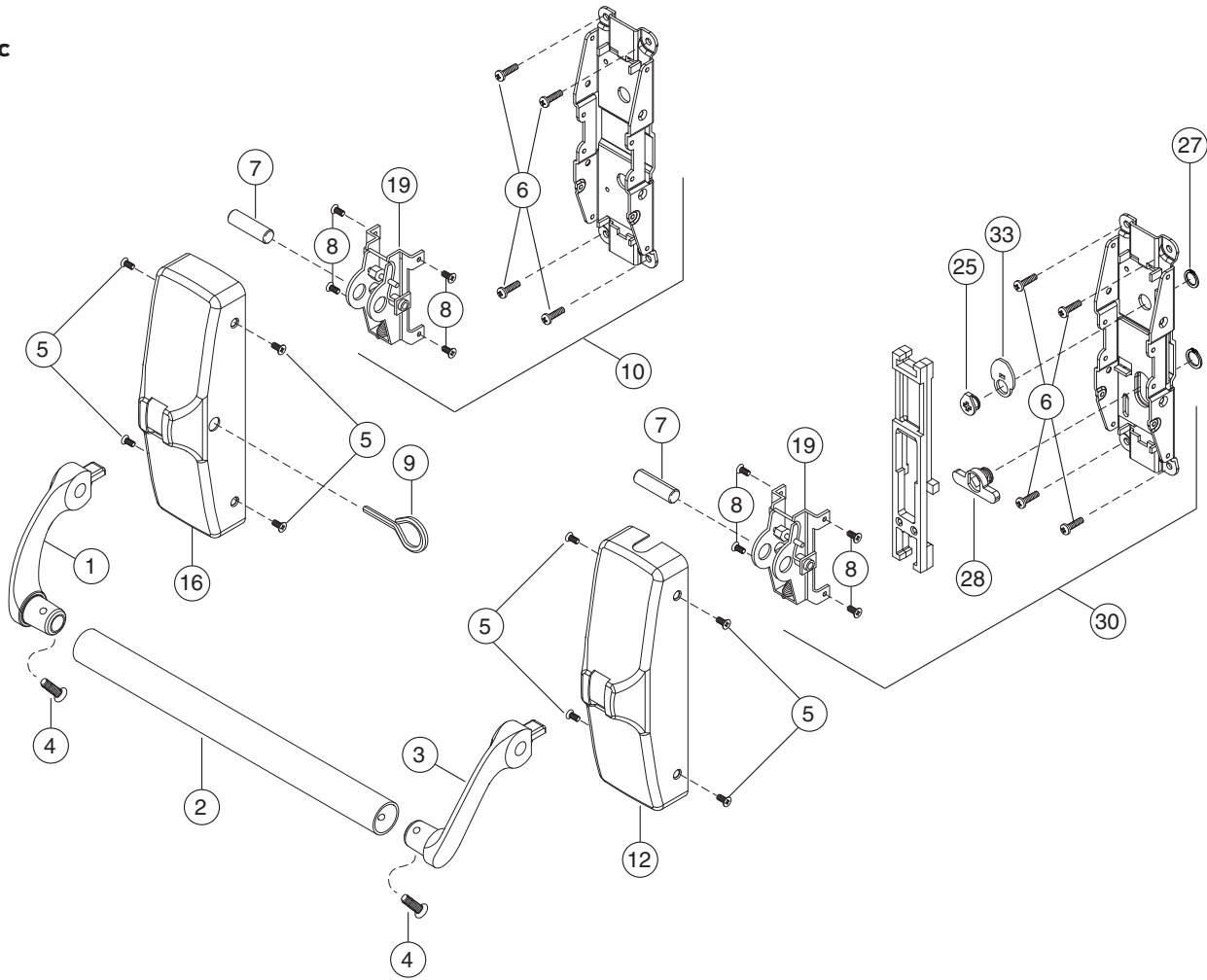
No.	Qty.	Part No.	Description	Notes
22	1	610070	XX-R Back Plate	
23	1	3755	XX-R Knob Cam	A

No.	Qty.	Part No.	Description	Notes
33	1	3762	Locking Cam	
34	1	661180	(F) XX-R Latchbolt Assembly	

A Used in K/L functions only.

XX-V surface vertical rod exit device

Panic



No.	Qty.	Part No.	Description	Notes
1	1	3747	XX Lever Arm Left Hand	A
2	1	3767	XX Crossbar	A
3	1	3746	XX Lever Arm Right Hand	A
4	2	660025	1/4-20 x 1/2" Crossbar Retaining Screw	
5	1	600140	Center Case Cover Mounting Package (US32D)	
6	1	650332	XX-V Mounting Package	
7	2	3749	XX Series Axle	
8	1	060121	Latch Cover Screw package of 10 (specify by finish: US4, US10B, US32D)	
9	1	060109	7/32" Hex Dogging Key package of 10	
10	1	584	XX End Case Assembly	

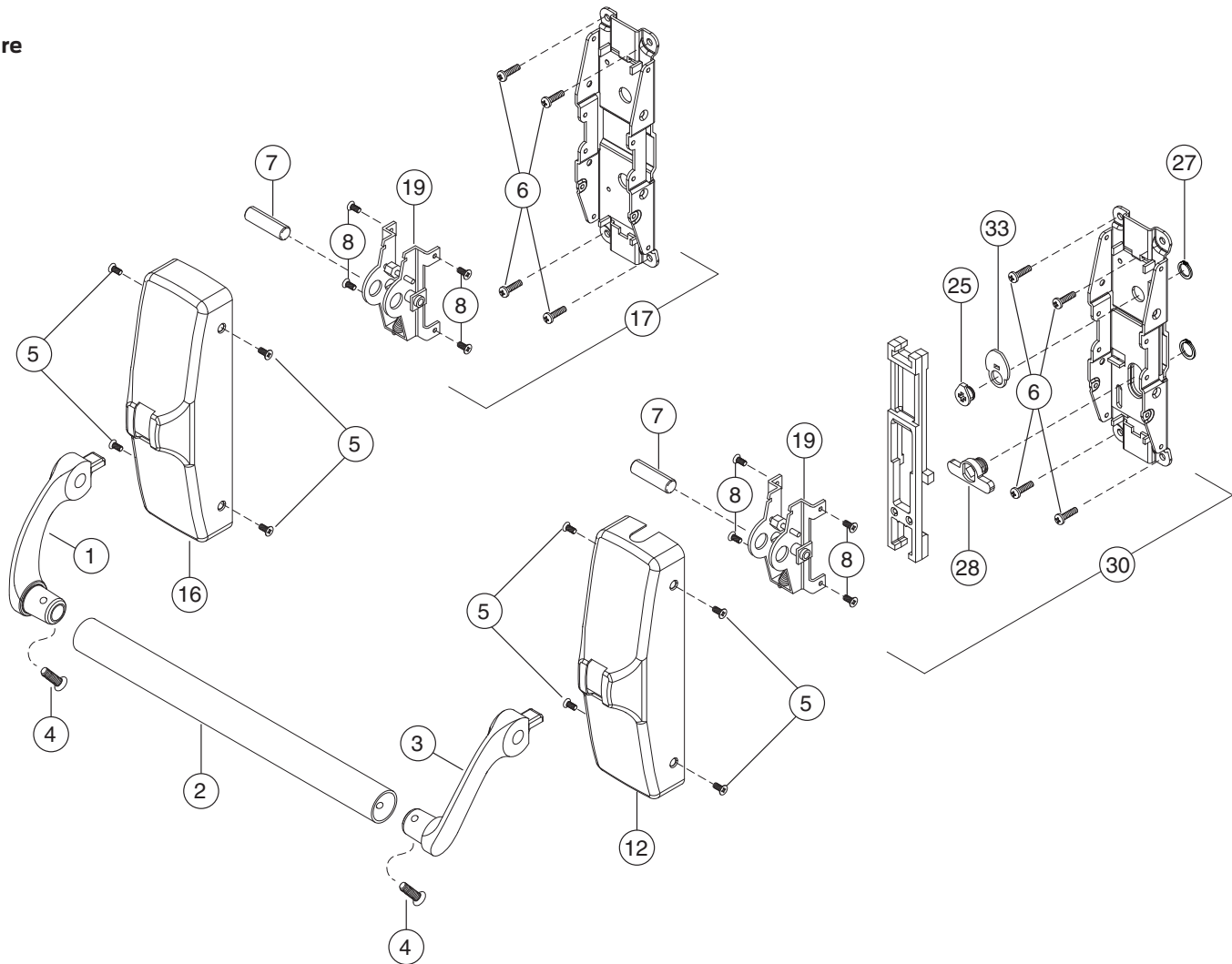
No.	Qty.	Part No.	Description	Notes
12	1	3742	XX-V Center Case Cover	A
16	1	3741	XX Series End Case Cover	A
19	2	610044	XX Axle Support Housing Assembly	
24	1	3742	XX Vertical Active Center Case Cover	
25	1	3566	Locking Cam Operator	
27	1	660439	Retaining Ring	
28	1	3775	Knob Cam	B
30	1	582	XX-V-K/L Center Case Assembly	
		587	XX-V-EO Active Center Case Assembly	
33	1	3762	Locking Cam	

A Specify by finish: SP313, US3, US4, US10, US26, US26D, US32, US32D

B K/L function only.

F-XX-V surface vertical rod exit device

Fire



No.	Qty.	Part No.	Description	Notes
1	1	3747	XX Lever Arm LH	A
2	1	3767	XX Crossbar	A
3	1	3746	XX Lever Arm RH	A
4	2	660025	1/4-20 x 1/2" Crossbar Retaining Screw	
5	1	600140	Center Case Cover Mounting Package (US32D)	
6	1	650134	F-XX-V Mounting Package	
7	2	3749	XX Series Lever Arm Axle	
8	1	060121	Latch Cover Screw package of 10 (specify by finish: US4, US10B, US32D)	
12	1	3742	F-XX Series Center Case Cover	A

No.	Qty.	Part No.	Description	Notes
16	1	3741	XX Series End Case Cover	A
17	1	684	F-XX Series End Case Assembly	
19	2	610214	F-XX Axle Support Housing Assembly	
25	1	3566	Locking Cam Operator	
27	1	660439	Retaining Ring	
28	1	3775	XX-R Knob Cam	B
30	1	687	F-XX-V-EO Center Case	
		F582	F-XX-V-K/L Center Case	
		F583	F-XX-V-TP Center Case	
33	1	3762	Locking Cam	

A Specify by finish: SP313, US3, US4, US10, US26, US26D, US32, US32D
 B K/L function only.

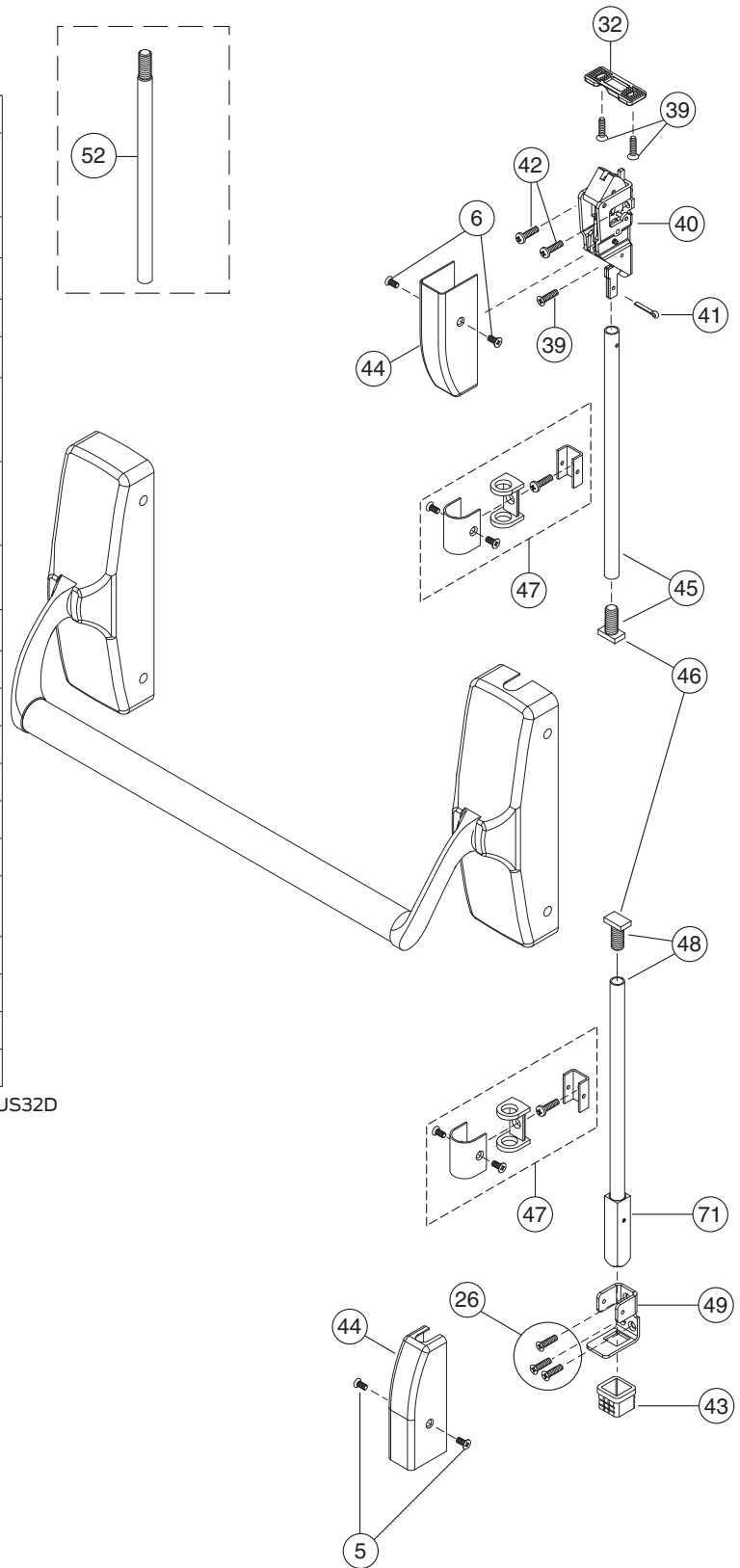
(F)XX-V surface vertical rods and latches

Panic and fire

No.	Qty.	Part No.	Description	Notes
6	1	650336	Latch Case Cover Mounting Package (US4, US10B, US32D)	B
26	3	660002	10 x 1¼" FPHSMS	
	3	660078	10-24 x ¾" FPHMS (Fire)	
32	1	3788	3788 Strike	
39	3	660002	10 x 1¼" FPHSMS	
40	1	650389	XX Surface Vertical Top Latch Case Subassembly - Panic	
	1	650375	XX Surface Vertical Top Latch Case Subassembly - Fire	
41	1	060111	⅛ x 1" Cotter Key package of 10	
42	2	660004	10 x 1¼" PPHSMS	
43	1	2130	2130 Strike	
44	1	650202	XX-V Latch Case Cover Kit	A
45	1	3777	XX-V Top Rod Subassembly	
46	1	4400	Rod Adj. Screw	
47	2	650311	Rod Guide Kit	A
48	1	610055	XX-V Bottom Rod Assembly	
49	1	650387	Bottom Bolt Guide Bracket (screws not included)	A
52	1	650006	XX-V Extension Rod 12"	A
	1	650007	XX-V Extension Rod 24"	A
	1	650008	XX-V Extension Rod 36"	A
71	1	610045	Bottom Bolt Assembly	

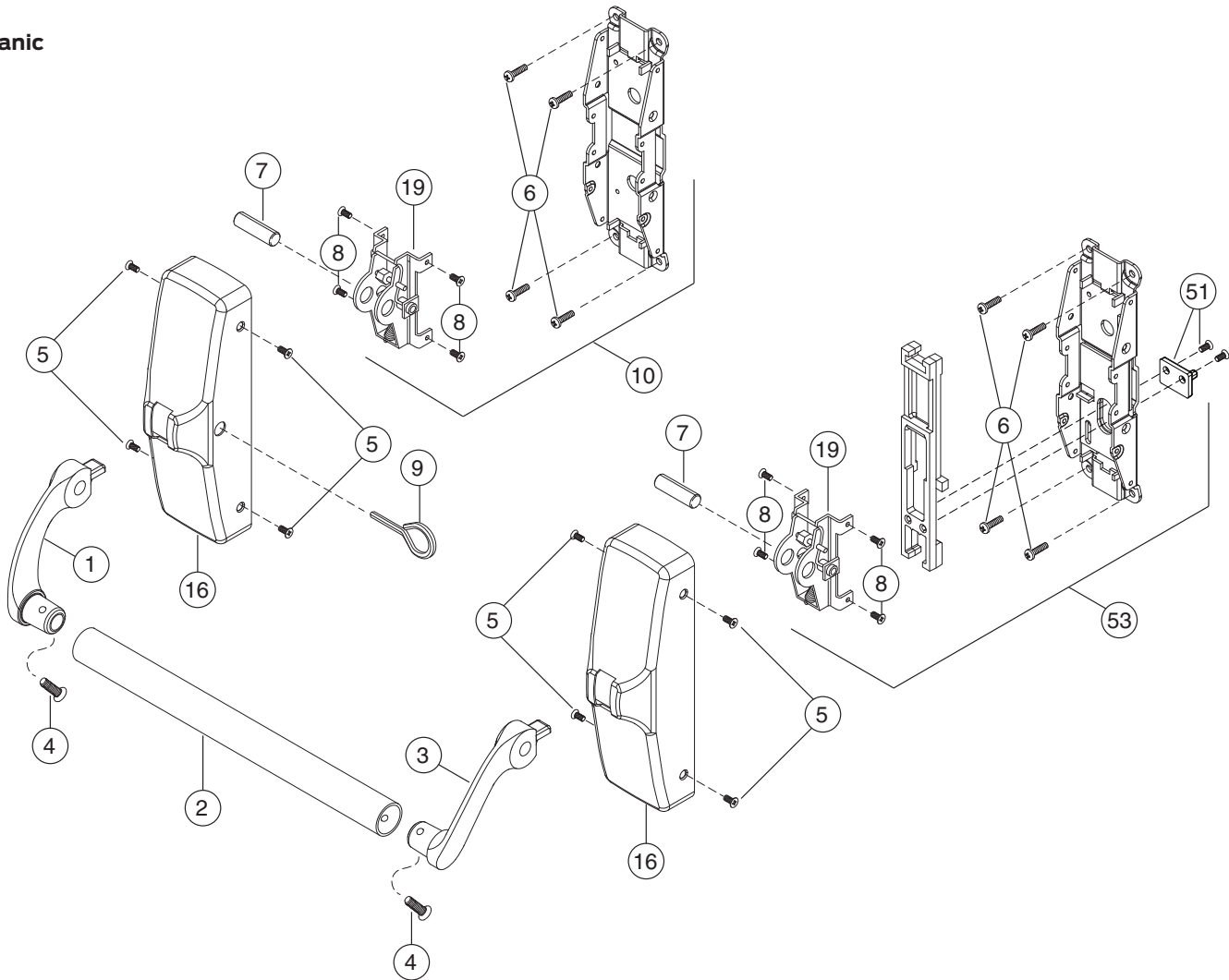
A Specify by finish: SP313, US3, US4, US10, US26, US26D, US32, US32D

B Specify by finish shown



XX-C concealed vertical rod exit device

Panic



No.	Qty.	Part No.	Description	Notes
1	1	3747	XX Lever Arm Left Hand	A
2	1	3767	XX Crossbar	A
3	1	3746	XX Lever Arm Right Hand	A
4	2	660025	1/4 - 20 x 1/2" Crossbar Retaining Screw	
5	4	600140	Center Case Cover Mounting Package	
6	1	650318	XX-C Mounting Package	
7	2	3749	XX Lever Arm Axle	
8	4	060121	Latch Cover Screw package of 10 (US4, US10B, US32D)	B

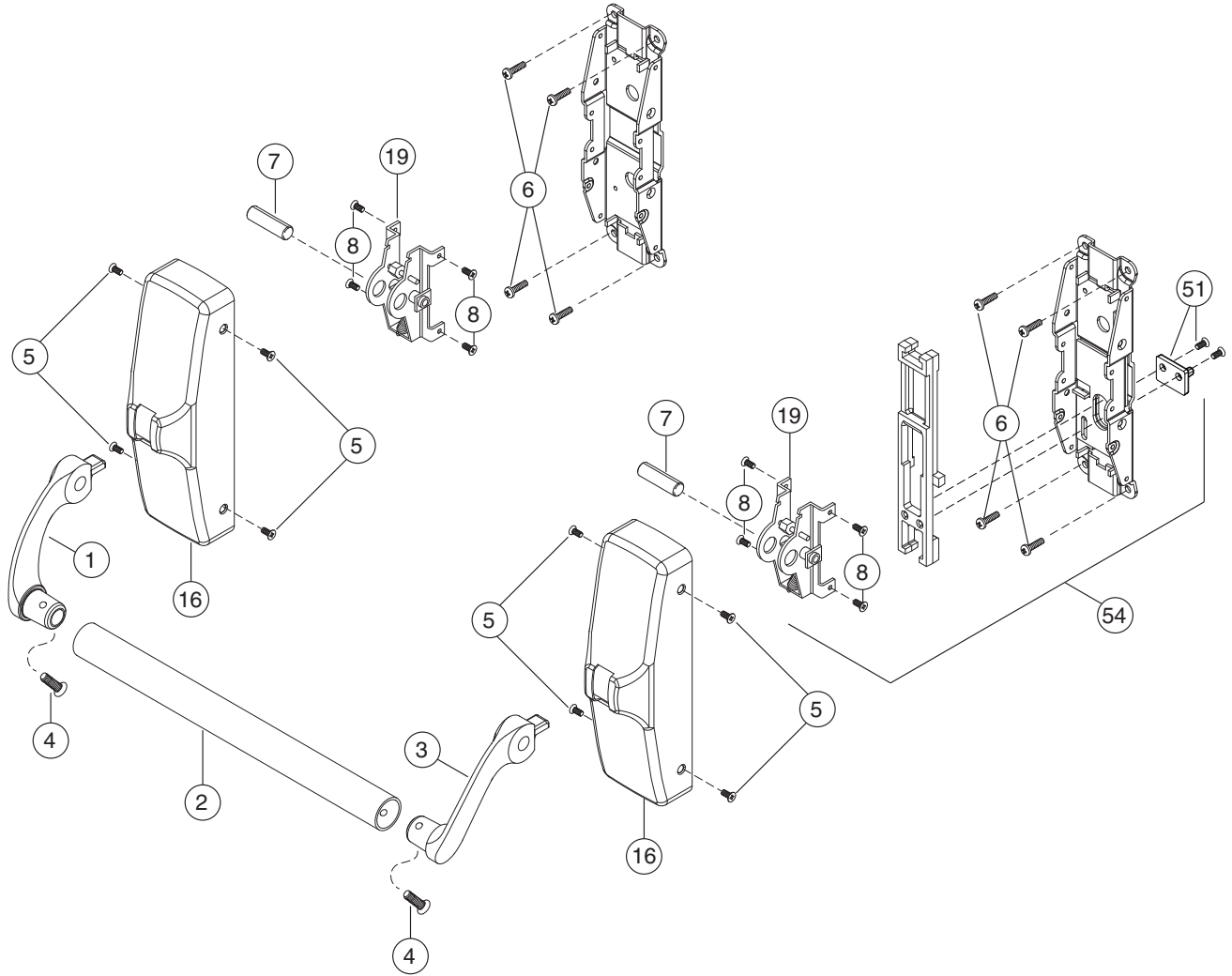
No.	Qty.	Part No.	Description	Notes
9	1	060109	7/32" Hex Dogging Key package of 10	
10	1	584	XX Series End Case Assembly	
16	2	3741	XX Series End Case Cover	A
19	2	610044	XX Axle Support Housing Assembly	
24	1	3742	XX Vertical Active Center Case Cover	
51	1	650263	Finger Kit	
53	1	591	XX-C Active Center Case Assembly	

A Specify by finish: SP313, US3, US4, US10, US26, US26D, US32, US32D

B Specify by finish shown

F-XX-C concealed vertical rod exit device

Fire



No.	Qty.	Part No.	Description	Notes
1	1	3747	XX Lever Arm Left Hand	A
2	1	3767	XX Crossbar	A
3	1	3746	XX Lever Arm Right Hand	A
4	2	660025	1/4 - 20 x 1/2" Crossbar Retaining Screw	
5	4	600140	Center Case Cover Mounting Package	
6	1	650317	F-XX-C Mounting Package	
7	2	3749	XX Lever Arm Axle	

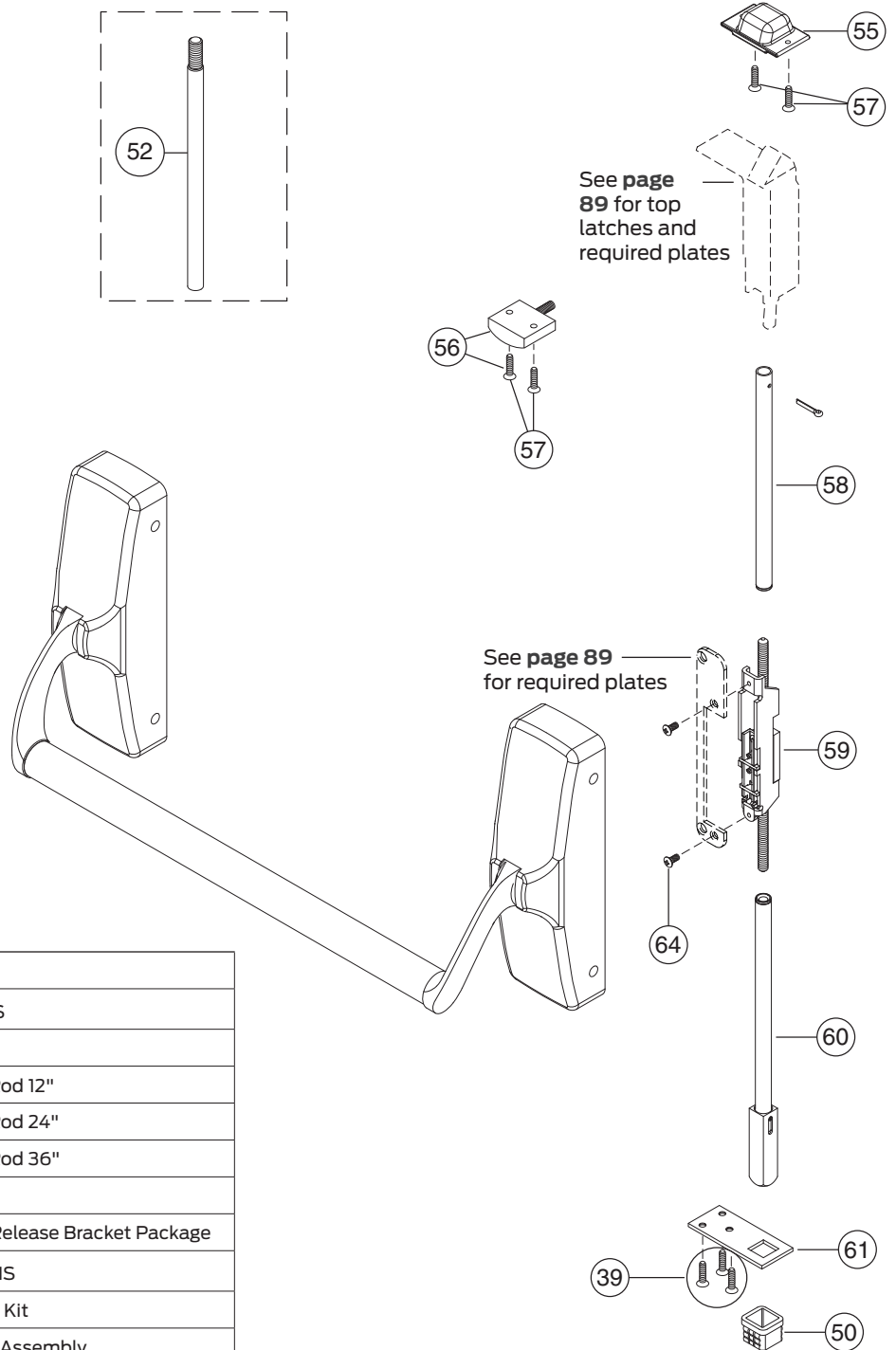
No.	Qty.	Part No.	Description	Notes
8	4	060121	Latch Cover Screw package of 10 (US4, US10B, US32D)	B
16	2	3741	XX Series End Case Cover - Fire	A
19	2	610214	XX Axle Support Housing Assembly - Fire	
24	1	3742	XX Vertical Active Center Case Cover	
51	1	650263	Finger Kit	
54	1	691	F-XX-C Active Center Case Assembly	

A Specify by finish: SP313, US3, US4, US10, US26, US26D, US32, US32D

B Specify by finish shown

(F)XX-C concealed vertical rods and latches

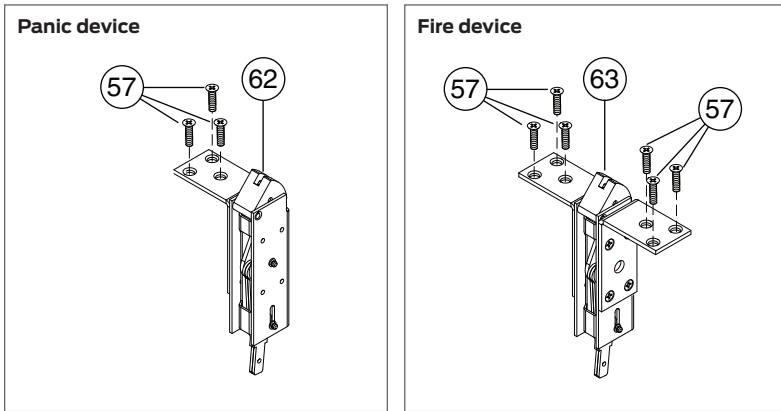
Panic and fire



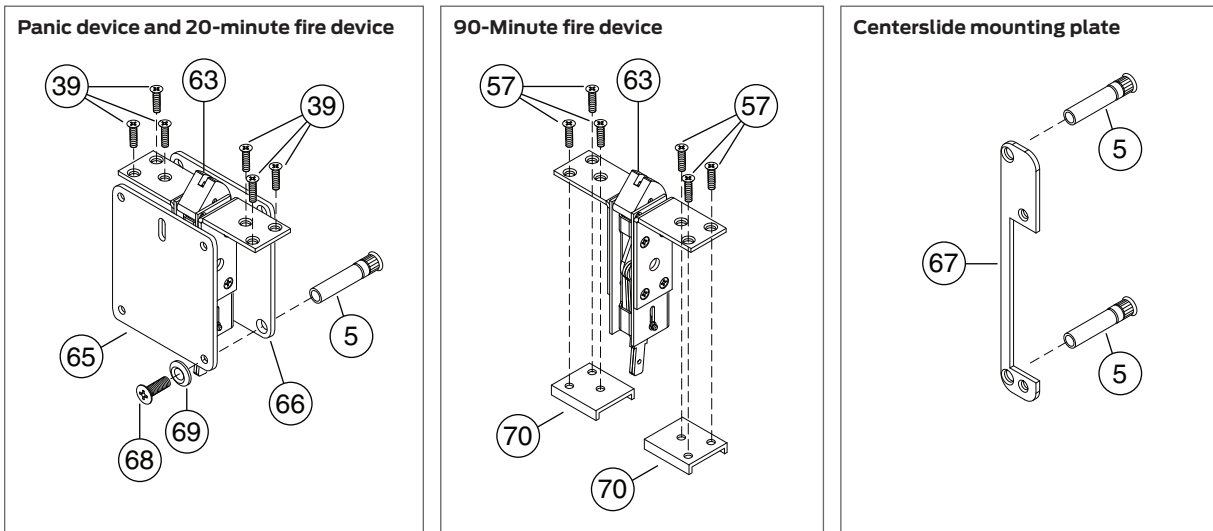
No.	Qty.	Part No.	Description
39	3	660002	10 x 1¼" FPHSMS
50	1	2130	2130 Strike
52	1	650006	XX-V Extension Rod 12"
	1	650007	XX-V Extension Rod 24"
	1	650008	XX-V Extension Rod 36"
55	2	4188	4188 Strike
56	1	650339	XX-C Top Latch Release Bracket Package
57	2	660078	10-24 x ¾" FPHMS
58	1	610061	(F)XX-C Top Rod Kit
59	1	610037	Center Slide Sub Assembly
60	1	610057	(F)XX-C, CWDC Bottom Rod Kit
61	1	4567	Bottom Bolt Guide
64	2	660133	#8-32 ¾" UFPHMS

(F)XX-C concealed vertical top latches and plates

Metal door



Wood door



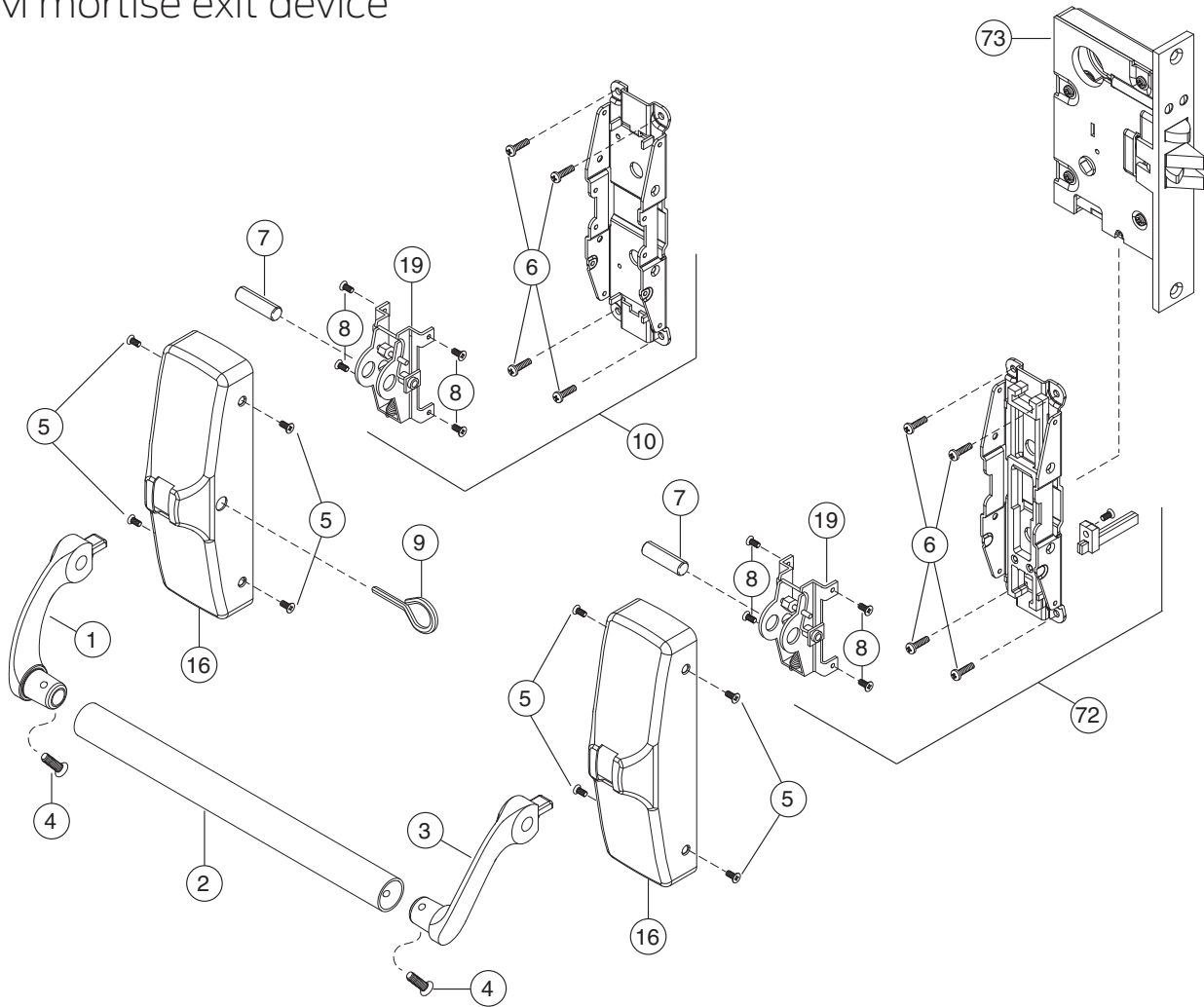
No.	Qty.	Part No.	Description	Notes
5	1	4122	Sex Bolt, package of 1, includes machine screw (1/2" - 20 x 3/4" PPHMS) (US10B, US26D, BRS)	B
39	6	660002	10 x 1 1/4" FPHSMS	
57	6	600078	10-24 x 3/4" FPHMS (Fire)	
62	1	603L	XX-C Top Latch Case LHR	
	1	603R	XX-C Top Latch Case RHR	
63	1	F603	F-XX-C, CWDC Top Latch Case	
65	1	4834	Top Reinforcement Plate with Access Hole	A
66	1	4833	Top Reinforcement Plate	A
67	1	4832	XX-CWDC Center Slide Reinforcement Plate	
68	1	660044	1/4 - 20 x 3/4" FPHMS	
69	1	660429	1/4" CSK Finish Washer	
70	2	4694	Latch Bracket	

A Specify by finish: US3, US4, US10, US10B, US15, US26, US26D, SP28, SP313

B Specify by finish shown

XX-M mortise exit device

Panic



No.	Qty.	Part No.	Description	Notes
1	1	3747	XX Lever Arm Left Hand	A
2	1	3767	XX Crossbar	A
3	1	3746	XX Lever Arm Right Hand	A
4	2	660025	1/4-20 x 1/2" Crossbar Retaining Screw	
5	1	650336	Latch Case Cover Mounting Package (US4, US10B, US32D)	B
6	1	650137	XX-M Service Mounting Package	
7	2	3749	XX Lever Arm Axle	

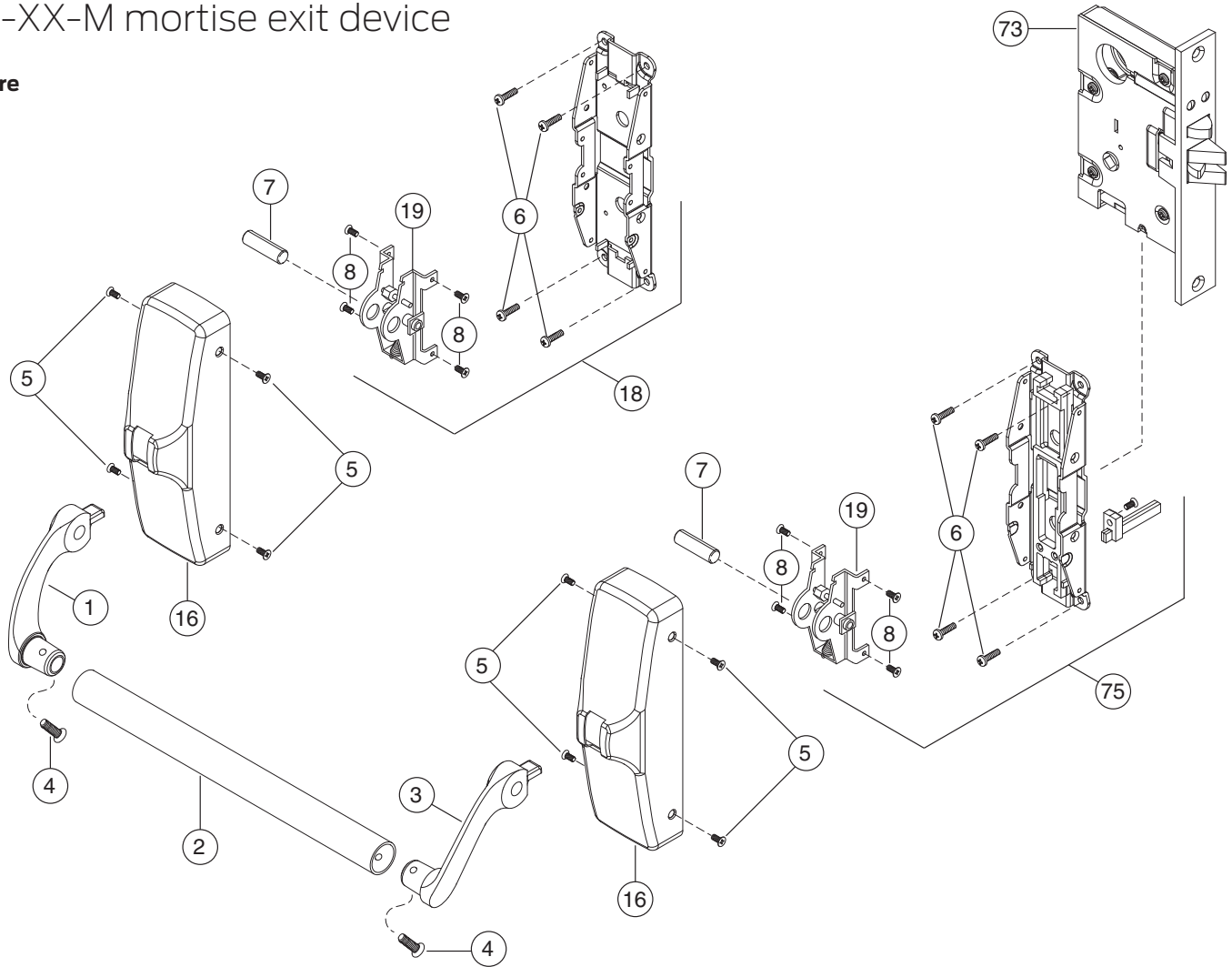
No.	Qty.	Part No.	Description	Notes
8	4	060121	Latch Cover Screw package of 10 (US4, US10B, US32D)	B
9	1	2789	Hex Dogging Key 7/32" package of 10	
10	1	584	XX End Case Assembly	
16	2	3741	XX Series End Case Cover	A
19	2	610044	XX Axle Support Housing Assembly	
73	1		Mortise Lock - 8500 x Function x Handing	A
75	1	650145	XX-Mortise Center Case LHR	
		650146	XX-Mortise Center Case RHR	

A Specify by finish: SP313, US3, US4, US10, US26, US26D, US32, US32D

B Specify by finish shown

F-XX-M mortise exit device

Fire



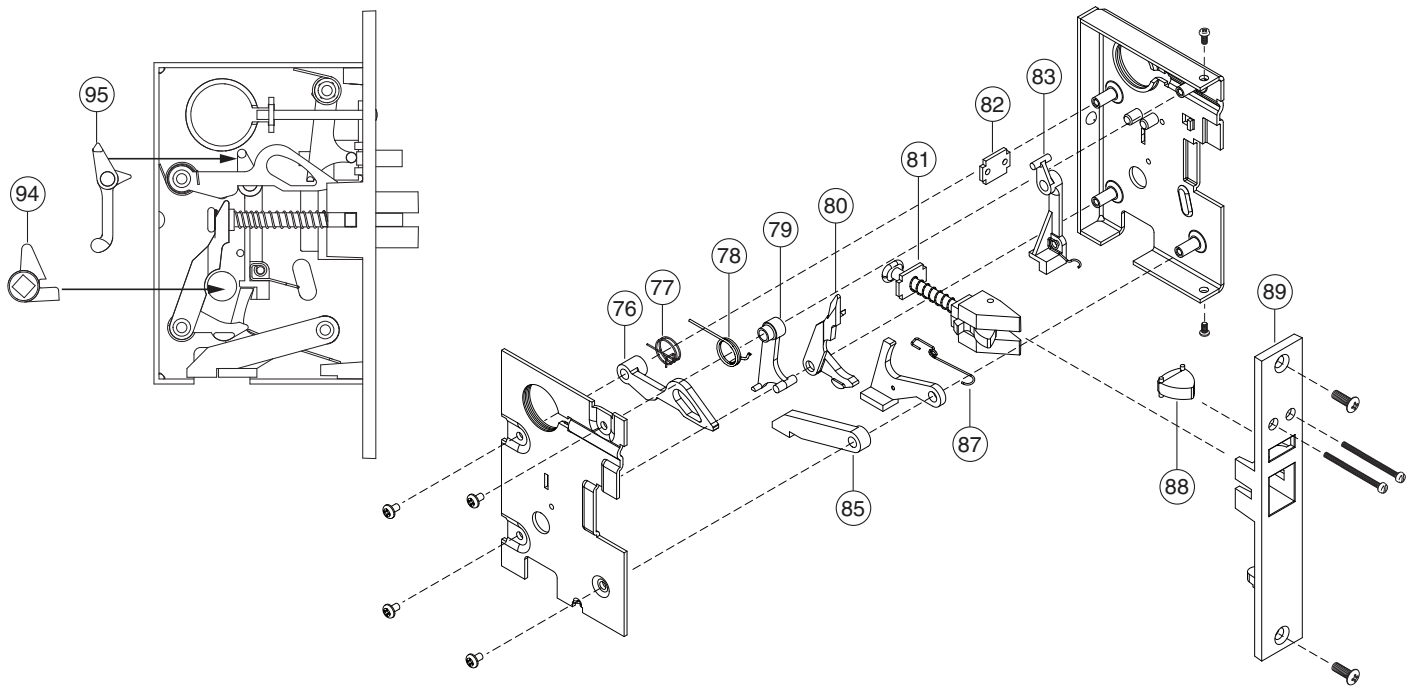
No.	Qty.	Part No.	Description	Notes
1	1	3747	XX Lever Arm Left Hand	A
2	1	3767	XX Crossbar	A
3	1	3746	XX Lever Arm Right Hand	A
4	2	660025	1/4-20 x 1/2" Crossbar Retaining Screw	
5	4	650336	Latch Case Cover Mounting Package (US4, US10B, US32D)	B
6	1	650138	F-XX-M Service Mounting Package	
7	2	3749	XX Lever Arm Axle	
8	4	060121	Latch Cover Screw package of 10 (US4, US10B, US32D)	B
16	2	3741	XX Series End Case Cover - Fire	A
18	1	684	F-XX End Case Assembly	
19	2	610044	Axle Support Assembly	
73	1		Mortise Lock - 8500 x Function x Handing	A
75	1	650149	F-XX-Mortise Center Case LHR	
		650150	F-XX-Mortise Center Case RHR	

A Specify by finish: US3, US4, US10, US10B, US26, US26D

B Specify by finish shown

(F)XX-M mortise lock

Panic and fire



No.	Qty.	Part No.	Description	Notes
76	1	4067	Locking Arm	
77	1	3518	Dead Lock Arm Spring	D
78	1	661473	Auxiliary Bolt Spring	
79	1	3530	Auxiliary Bolt Actuator	
80	1	3521	Actuating Arm	
81	1	610041	8500 Latch Bolt Assembly	
82	1	4025	Cylinder Screw Retainer	C

No.	Qty.	Part No.	Description	Notes
83	1	610042	Locking Arm and Spring Assembly	C, D
85	1	3522	Main Lift	
87	1	3516	T-Lift Spring	
88	1	3529	Auxiliary Bolt (US26D)	
89	1	3515	Mortise Lock Face	E
94	1	3519	Mortise K-Hub	B, C
95	1	3542	Cylinder Operating Arm	C, F

B Used in K/L trim functions only.

C. Omit for "BE" trim function.

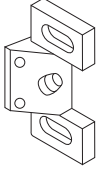
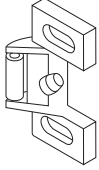
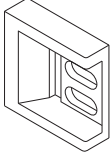
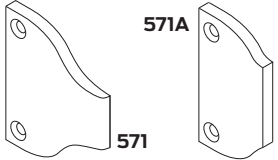

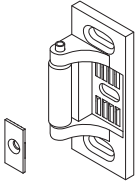
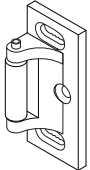
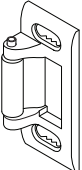
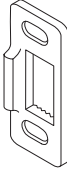
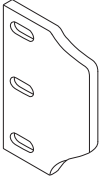
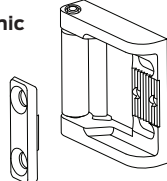
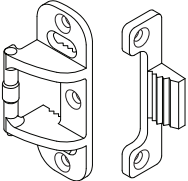

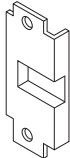
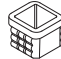
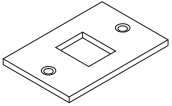
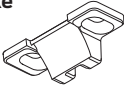

D. Dead lock arm spring (Part No. 3518) required for NL function. Remove existing spring and screw from locking arm for NL.

E Available only in US3, US4, US10, US10B, US26, US26D

F NL function only.

Strikes

19, 24, 25 and XX Series device, top and bottom strikes

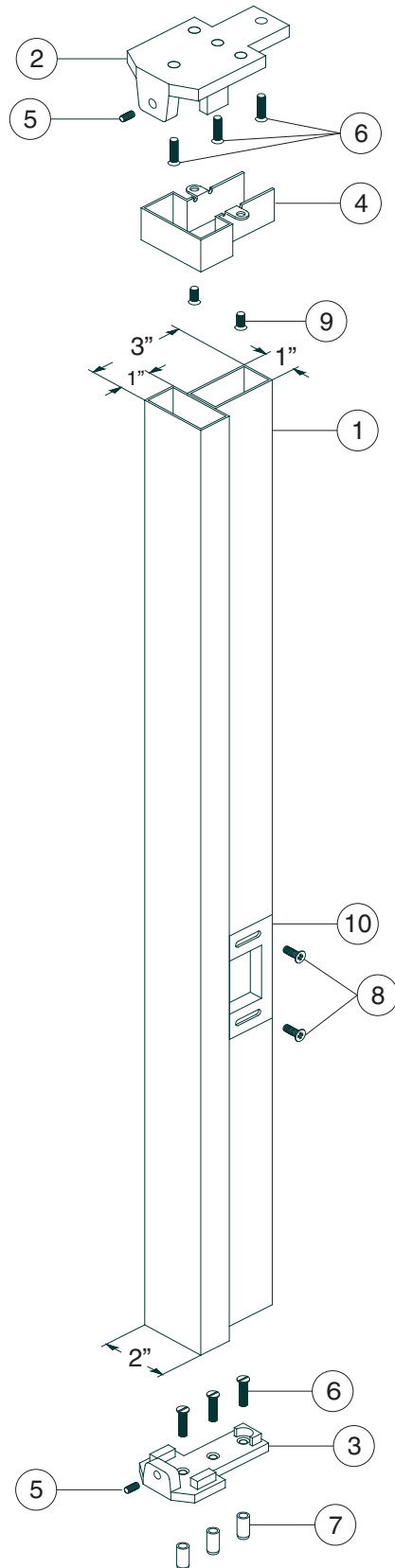
<p>F570 Standard 19/XX Rim Panic and Fire Devices</p> 	<p>F490 Optional 19/XX Rim Panic and Fire Devices</p> 	<p>565 Optional 19/XX Rim Panic Devices</p> 	<p>571/571A Optional 19/XX Rim Inactive Leaf</p> 																		
<p>579 Optional XX Rim Panic Devices</p> 	<p>299 Standard 24/25 Rim Panic Devices Single or Double Door</p> 	<p>299F Standard 24/25 Rim Fire Devices Single or Double Door</p> 	<p>264 Optional 24/25 Rim Panic Devices Single or Double Door</p> 																		
<p>1606 Optional 24/25 Rim Panic Devices Single or Double Door</p> 	<p>1609 Optional 25 Rim Devices Single or Double Door</p> 	<p>1439 Optional 24/25 Rim Panic Devices Single or Double Door</p> 	<p>499F Optional 25 Rim Fire Devices with Mullion</p> 																		
<p>1279 Standard 25/XX Mortise Panic and Fire Devices</p> 	<p>F1280 Optional 25 Fire Devices</p> 	<p>2130 Standard Bottom Strike 19-V, 24/25/XX-V,C Panic and Fire Devices</p> 	<p>4155 Optional Bottom Strike 19-V, 24/25/ XX-V,C Panic or Fire Devices</p> 																		
<p>3788 Standard Top Strike 19/24/25/XX-V Panic or Fire Devices</p> 	<p>4188 Standard Top Strike 24/25/XX-C, CWDC Panic or Devices Optional 4188 NS (narrow stile) available for 24-C and 24-CWDC devices (not shown).</p> 	<p>Strike finishes</p> <table border="1"> <thead> <tr> <th>Strike(s)</th> <th>Available finish(es)</th> </tr> </thead> <tbody> <tr> <td>F490, 1606, 3788, 4188, 2130, 1279, F1280</td> <td>Unfinished</td> </tr> <tr> <td>264</td> <td>US19, US26D</td> </tr> <tr> <td>299</td> <td>US19, US26D, US4, US10, SP313, US3, US26</td> </tr> <tr> <td>299F</td> <td>US19, US32D, US4, US10, US10B, US3, US32</td> </tr> <tr> <td>499F, F570, 1439</td> <td>US19</td> </tr> <tr> <td>565, 579, 4155</td> <td>US26D, US4, US10, SP313, US10B, US3, US26</td> </tr> <tr> <td>571, 571A</td> <td>US32D, US10, SP313, US10B, US32</td> </tr> <tr> <td>1609</td> <td>US19, US26D, US4, US10, US10B, US3, US26</td> </tr> </tbody> </table>		Strike(s)	Available finish(es)	F490, 1606, 3788, 4188, 2130, 1279, F1280	Unfinished	264	US19, US26D	299	US19, US26D, US4, US10, SP313, US3, US26	299F	US19, US32D, US4, US10, US10B, US3, US32	499F, F570, 1439	US19	565, 579, 4155	US26D, US4, US10, SP313, US10B, US3, US26	571, 571A	US32D, US10, SP313, US10B, US32	1609	US19, US26D, US4, US10, US10B, US3, US26
Strike(s)	Available finish(es)																				
F490, 1606, 3788, 4188, 2130, 1279, F1280	Unfinished																				
264	US19, US26D																				
299	US19, US26D, US4, US10, SP313, US3, US26																				
299F	US19, US32D, US4, US10, US10B, US3, US32																				
499F, F570, 1439	US19																				
565, 579, 4155	US26D, US4, US10, SP313, US10B, US3, US26																				
571, 571A	US32D, US10, SP313, US10B, US32																				
1609	US19, US26D, US4, US10, US10B, US3, US26																				

Mullions

Mullions

4423

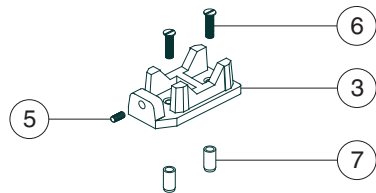
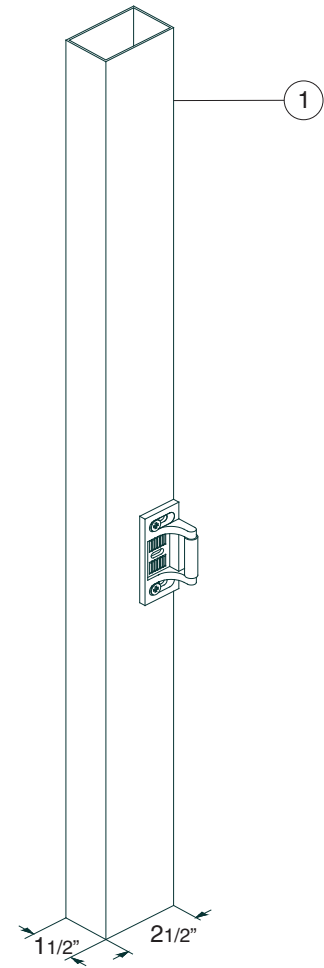
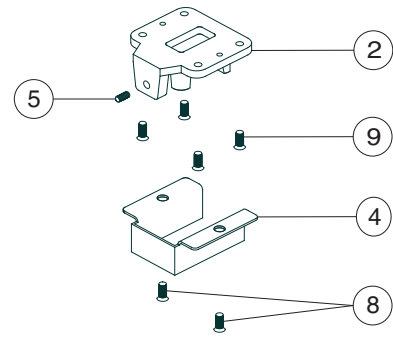
No.	Qty.	Part No.	Description
1	1	4423	Mullion
2	1	060107	Top fitting
3	1	060108	Bottom Fitting
4	1	4394	Top Fitting Clamp
5	2	709146	3/8 - 16 x 1/2" Set Screw
6	6	709032	1/4 - 20 x 1 1/4" FPHMS
7	3	709036	1" - 20 x 1" Lead Anchor
8	4	709051	#10 - 24 x 1/2" FPHMS
9	2	709196	#10 - 24 x 1/4" FPHMS
10	2	4396	4396 Strike



Mullions

2923

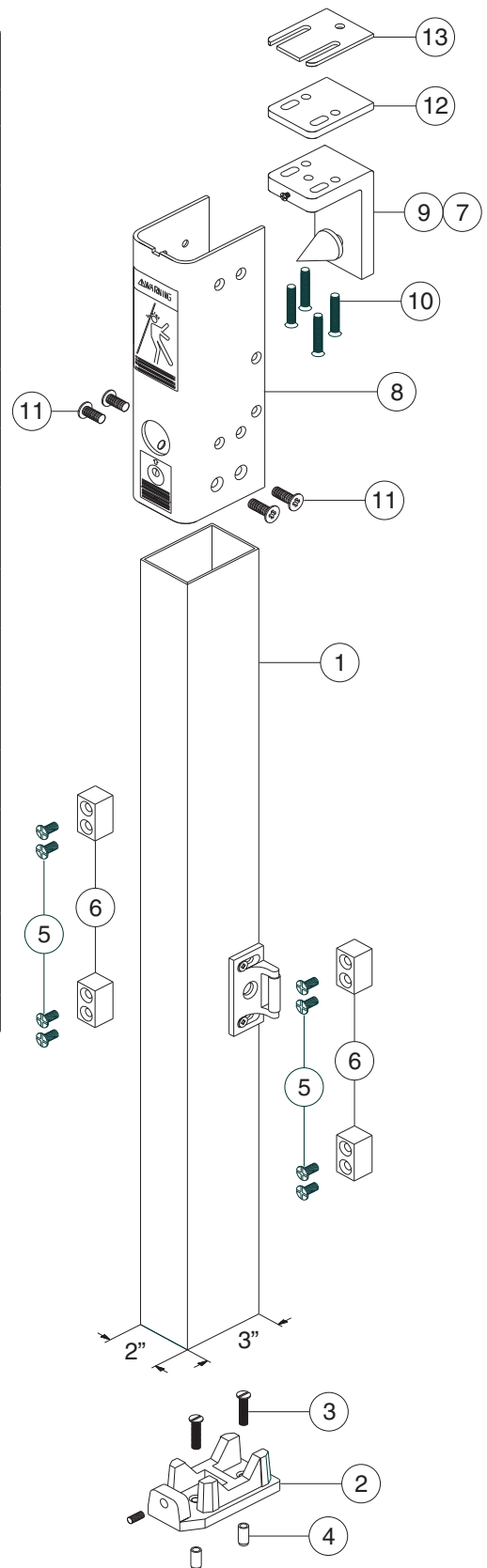
No.	Qty.	Part No.	Description
1	1	2923	Mullion
2	1	060104	Top fitting
3	1	060105	Bottom Fitting
4	1	4181	Top Fitting Clamp
5	2	709146	3/8" - 16 x 1/2" Set Screw
6	6	709032	1/4 - 20 x 1 - 1/4" FPHMS
7	3	709036	1/4 - 20 x 1 Lead Anchor
8	2	709196	#10 - 24 x 1/2" FPHMS
9	4	709023	#10 - 24 x 3/4" FPHMS



Mullions

CRF-4023, CR-4023 and CRF-4023, CR-4023 Retrofit Kits

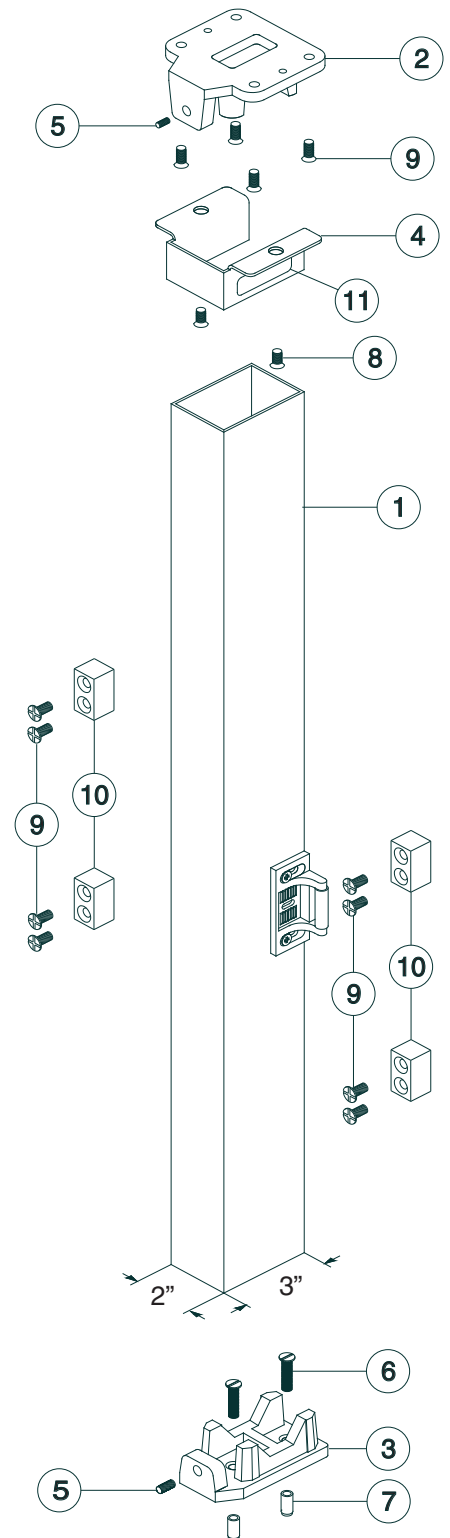
No.	CRF-4023	CR-4023	CRF-4023 Retrofit Kit	CR-4023 Retrofit Kit	Part No.	Description
1	1	1			4023	Mullion
2	1	1			060102	Bottom Fitting
3	2	2			709094	3/8" - 16 x 1 1/4" FPMS
4	2	2			709075	3/8" - 16 Steel Anchor
5	6				709118	1/4" - 20 x 3/4" FPHMS
6	4				4051	Stabilizer Block
7	1		1		4050	UL Fire Label (on item #9)
8	1	1	1	1	900549	Cylinder Removable Mullion Unit
9	1	1	1	1	900547	Top Mullion Fitting (CRM)
10	4	4	4	4	709318	1/4 - 20 x 2" PPHMS
11	4	4	4	4	709313	1/4 - 20 x 3/4" UFPHMS
12	1	1	1	1	4970	Top Mullion Fitting Shim
13	1	1	1	1	4988	Adjustment Shim (1 shipped standard)
Not shown	1	1	1	1	4966	Cylinder Mounting Bracket
	1	1	1	1	3894	Cylinder Nut



Mullions

F-4023 and 4023

No.	F-4023	4023	Part No.	Description
1	1	1	4023	Mullion
2	1	1	060106	Top Fitting
3	1	1	060102	Bottom Fitting
4	1	1	4002	Top Fitting Clamp
5	2	2	709095	3/8" - 16 x 3/4" Set Screw
6	2	2	709094	3/8" - 16 x 1 1/4" FPHMS
7	2	2	709075	3/8" - 16 Steel Anchor
8	2	2	709093	1/4 - 20 x 3/8" PPHMS
9	12	4	709118	1/4"- 20 x 3/4" FPHMS
10	4		4051	Stabilizer Block
11	1		4050	UL Fire Label



About Allegion

Allegion (NYSE: ALLE) is a global pioneer in safety and security, with leading brands like CISA®, Interflex®, LCN®, Schlage®, SimonsVoss® and Von Duprin®. Focusing on security around the door and adjacent areas, Allegion produces a range of solutions for homes, businesses, schools and other institutions. Allegion is a \$2 billion company, with products sold in almost 130 countries.

For more, visit www.allegion.com.

aptiQ ■ LCN ■ **SCHLAGE** ■ STEELCRAFT ■ VON DUPRIN