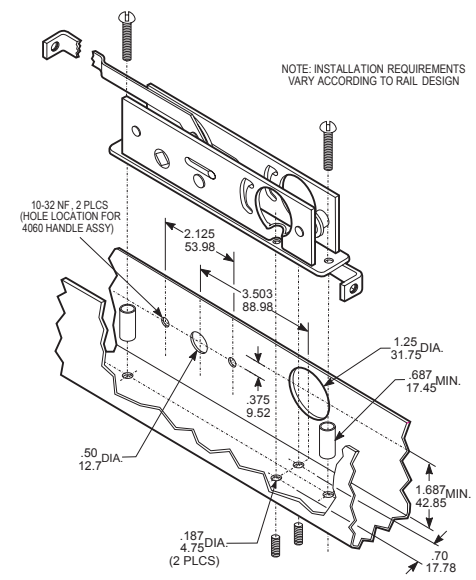


## INSTALLATION



**ADAMS RITE MANUFACTURING CO.**

260 Santa Fe Street, Pomona, CA 91767  
Phone: (909) 632-2300 Fax: (909) 632-2369

**1875 Two Point Deadbolt**