

**Corbin  
Russwin** 

**ASSA ABLOY**

## DC62900 Series

Electromechanical Closer-Holder



ASSA ABLOY, the global leader  
in door opening solutions



# Introduction

## DC62900

### Applications

Corbin Russwin Electric Track Closer-Holders combine the functions of a single-point electromechanical door holder with the DC6200 door closer. The track assembly contains an arm slide and solenoid-operated hold open mechanism and is available with or without an integral smoke detector.

The closer is mounted on the door. The track is mounted to the frame face for pull side installations or the frame soffit for push side installations.

The track is an aluminum extrusion which incorporates a solenoid-actuated cam that locks the arm slide in the

track at a selected point. The degree of door hold open is selected by adjustment of the telescoping arm. When there is power to the unit, the door will hold open at the selected hold open point. Any power interruption will release the arm slide and the door will close. The door can be released manually at any time.

Corbin Russwin Electric Track Closer-Holders are available in two basic functions for controlling fire/smoke doors.

### Table of Contents

Applications.....	2
Functions and Features .....	3
Overview .....	4-5
Mountings .....	6-7
Brackets and Covers.....	8
Track Assemblies & Parts.....	9-10
How to Order .....	11
Specification .....	12

# Functions and Features

## DC62900

### Functions:

**Master Unit** – This unit is comprised of an integral smoke detector, a solenoid hold open mechanism in the slide track and a door closer. The Master Unit can be used to control a single door or a pair of doors in conjunction with a Support Unit.

**Quick Code: ETD**

**Support Unit** – This unit is comprised of a solenoid hold open mechanism in the slide track and a door closer. These units can be installed on a single door or a pair of doors when controlled by compatible U.L. listed detection equipment such as area ceiling detectors, pull stations, and remote alarm panels. They can also be used in conjunction with a Master Unit on a pair of doors when the Master Unit smoke detector signals conditions (standby, trouble/alarm) to an alarm system's panel. The alarm panel controls the hold open function of both the Support Unit and the Master Unit.

**Quick Code: ET**

### Note:

Application of any Corbin Russwin Electric Track Single-Point Hold Open Closer-Holder Releasing Device should be checked for compliance with both state and local codes.

### Features:

#### Selective Single-Point Hold Open:

The DC62900 has one template position. The single-point hold open position is selected by adjusting the telescoping arm with a hex drive set-screw. Hold open range is 85° thru 110° in approximately 3° increments.

#### Spring Cushioned Dead Stop:

A spring loaded buffer block at the point of hold open prevents overtravel of the arm slide and provides a cushioned dead stop. Use of an additional wall or floor stop is always recommended.

#### Non-Handed:

Non-handed except when ordered with "DE" (Double Egress) arms.

#### Pull/Push Installations:

The track can be ordered for installation on either side of the door. List number DC62940 can be installed on the push side only. List number DC62930 can be installed on the pull side only.

#### Choice of Supply Voltage:

Corbin Russwin Electric Tracks are available in the most commonly used operating voltages of 24 Volts AC/DC or 120VAC, 60Hz. Power to these devices must be within a range of (+) 10% (-) 15% of the stated voltage.

#### Fail Safe:

In the event of a power outage, solenoid will be de-energized and the Closer-Holder will then operate as a normal door closer.

#### Wiring Option:

Both pull side and push side application will accommodate either concealed or surface wiring. The hook-up box will accept a 3/4" (19mm) conduit. Each DC62900 is supplied with a thin-walled conduit nut to attach the conduit clamp. State and local building codes will dictate the type of wiring permitted.

#### Door Closer:

The DC62900 is a non-handed, narrow projection closer with a full plastic cover. It has an adjustable spring for sizes 1-6. It also has four independent valves to control latch speed, closing speed, backcheck positioning and intensity. QUIK-INSTALL mounting bracket speeds installation.

#### Warranty:

2-year limited

#### U.L. Listing:

All Master Units with integral smoke detectors have been tested and evaluated for public safety by Underwriter's Laboratories and are listed for application on smoke barrier and labeled fire doors. All Support Units are U.L. listed for application with any compatible U.L. listed fire/smoke detection equipment.

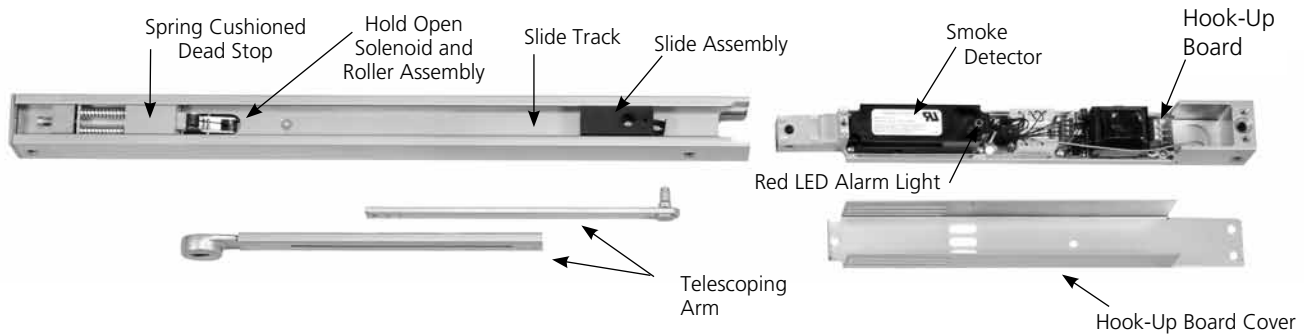
#### ANSI / BHMA:

The DC62900 Series is ANSI/ BHMA certified for A156.15.



# Features

## DC62900



### Features – Smoke Detector:

#### Photoelectric Sensing

Detector employs a photoelectric chamber to substantially reduce the probability of false alarms.

#### Fire/Smoke Control Circuit

Interprets the alarm signal from the detector and provides switching contacts to interrupt power to the hold open solenoid and divert it to activate optional audio/visual alarms.

#### Alarm (Relay) Contacts

Normally open in standby condition (energized, non-alarm state). These contacts close during an alarm condition (smoke detected) and switch power from the solenoid to an optional local alarm.

#### Trouble (Relay) Contacts

Normally closed in standby condition, these supervisory contacts monitor the continuity of power within the detector circuit. Any power interruption within the detector circuit will open these contacts. They can then be used to simultaneously indicate a trouble condition to the alarm panel on a separate trouble circuit.

### Quick Disconnect Modules

Each component, solenoid coil, detector and control feature quick disconnect wiring for easy servicing and replacement.

### Locked-In Alarm

When a unit alarms, it must be manually reset. This can be accomplished by remote control from the alarm console or by the reset button in the smoke detector. Reset button is accessible through the center louver in the underside of the track. Reset by rotating LED chamber using small flat blade screwdriver.

### Indicator Lights

Normal Mode: A red LED flashes once every eight (8) seconds.

Clean Mode: A red LED flashes once every second.

Alarm Mode: A red LED illuminates continuously.

# Electrical Information

## Ordering Voltages:

Type of Unit	Model	# of Power Input Lines	Choices of Voltage Input	Can be used with
Master	ETD-24	1	24 VAC/DC	Support Model ET
	ETD-120		120 VAC, 60 Hz	
Support	ET-24	1	24 VAC/DC	Area Smoke Detection System or Master Model ETD24-120
	ET-120		120 VAC, 60Hz	Area Smoke Detection System

Operating voltage or voltages for the control of fire/smoke doors are specified by the architect, electrical engineer and alarm system engineer and/or contractor. Consulting with these sources will verify which operating voltage(s) should be ordered.

### “ETD” Master Units

- Two components require electrical power:
  - Integral smoke detector requires 24VDC input power.
  - Hold open solenoid requires 24VDC input.
- Hook-up box receives primary voltage input and distributes it to the smoke detector and hold open solenoid(s).
- **Available with two voltage options:**
  - **ETD-24 suffix –**
    - Accepts 24VAC or 24VDC power input.
    - A rectifier in the hook-up box will rectify alternating current to direct current for operation of both the smoke detector and hold open solenoid(s).
  - **ETD-120 suffix –**
    - Accepts 120VAC power input.
    - A 120VAC to 24VAC transformer in the hook-up box steps the input voltage down to 24VAC. It is then rectified to 24VDC for operation of both the smoke detector and the 24VDC hold open solenoid(s).

### “ET” Support Units

- Hold open solenoid requires electrical power.
- Solenoid controlled by smoke detection equipment (ceiling detectors) or remote alarm panels.
- Available for operation on 24VAC/DC or 120VAC, 60Hz.
- Hold open solenoid operates on direct current.
- Contains built-in rectifier that converts alternating current to direct current.



# Mountings

## DC62900

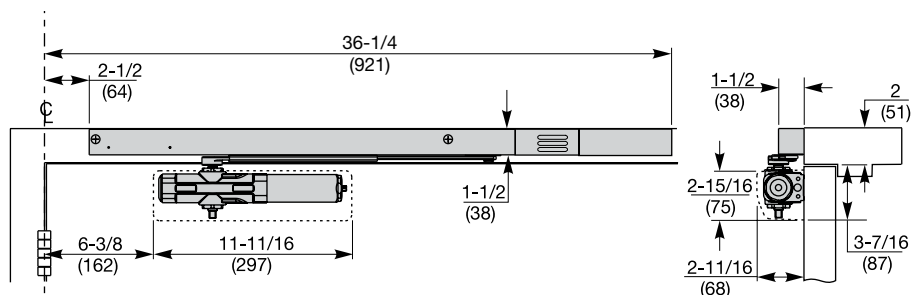
### DC62930 Pull (Hinge) Side Mounting

Model #	Description
DC62930 x ETD	Master Unit Controlled by Integral Smoke Detector
DC62930 x ET	Support Unit Controlled by Remote Detection Equipment

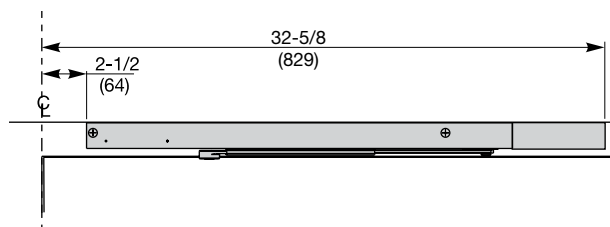


DC62930 x ETD

#### Master Unit



#### Support Unit Track



Minimum ceiling clearance 2-1/8" (54mm)

	Door(s) Opening Inches (cm)		Model Number & Type
	Max.	Min*	
Single Door	48" (122)	36" (91)	(1) DC62930 x ETD Master Unit
	48" (122)	32" (81)	(1) DC62930 x ET Support Unit
Pair of Doors	96" (244)	68" (173)	(1) DC62930 x ETD Master Unit and (1) DC62930 x ET Support Unit
	96" (244)	64" (163)	(2) DC62930 x ET Support Units

\* Minimum door opening for standard installation. Consult factory for door openings narrower than those shown.

# Mountings

## DC62900

### DC62940 Push (Stop) Side Mounting

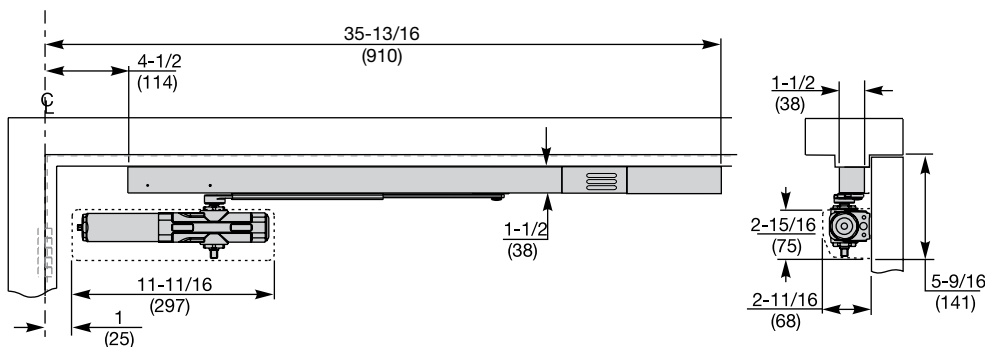
Model #	Description
DC62940 x ETD	Master Unit Controlled by Integral Smoke Detector
DC62940 x ET	Support Unit Controlled by Remote Detection Equipment

Interference with other hardware (vertical rod exit devices, magnetic locks, etc.) must be considered when selecting this product.

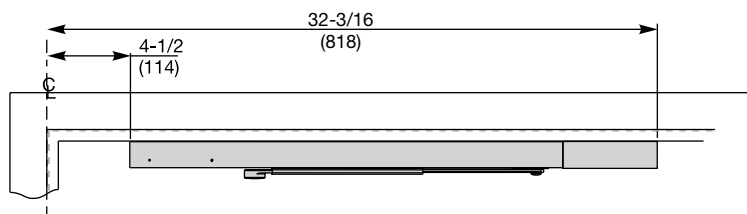


DC62940 x ET

#### Master Unit



#### Support Unit Track



Minimum 1-1/2" (38mm) frame soffit required.

\* Minimum door opening for standard installation. Consult factory for door openings narrower than those shown.

	Door(s) Opening Inches (cm)		Model Number & Type
	Max.	Min*	
Single Door	48" (122)	38" (97)	(1) DC62940 x ETD Master Unit
	48" (122)	36" (91)	(1) DC62940 x ET Support Unit
Pair of Doors	96" (244)	74" (188)	(1) DC62940 x ETD Master Unit and (1) DC62940 x ET Support Unit
	96" (244)	71" (180)	(2) DC62940 x ET Support Units

# Brackets and Covers

## DC62900

### 188F03



#### Quik-Install™ Mounting Bracket

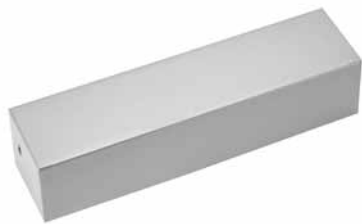
- Standard on all closers
- Reduces installation time
- Ensures correct mounting
- Bracket is first mounted to door or frame, then closer is attached
- Bracket size: 1-3/4" (44mm) (vertical) x 6" (152mm) (horizontal)
- Hole spacing: 1" (25mm) (vertical) x 4-5/16" (110mm) (horizontal)

### 597F78



#### Full Cover

- Standard on all DC6000 series door closers
- Completely covers closer body
- Non-handed
- Dimensions: 11-5/8" (295mm) x 3" (76mm) x 2-3/4" (70mm) deep
- Available in painted finishes only



#### Full Metal Cover

- For use in high-abuse applications
- Specify hand; not field reversible
- Available in painted and plated finishes
- Dimensions: 11-1/2" (292mm) x 2-7/8" (73mm) x 2-3/4" (70mm) deep
- To order specify closer x M73

Cover	Model #
RH/LHR	603F55
LH/RHR	603F57

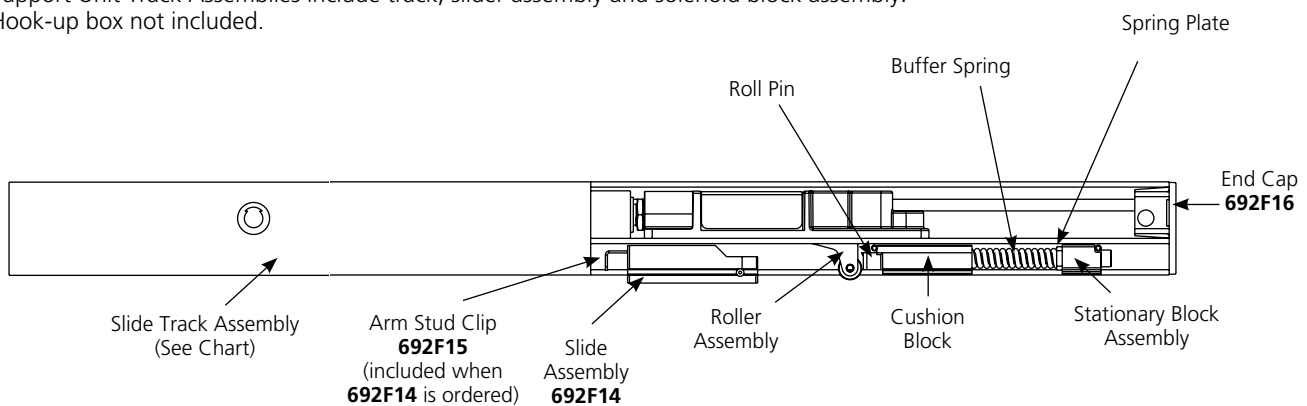


**Metal covers and arm assemblies are available in painted or plated finishes. Plastic covers and track assemblies are available in painted finishes only.**

Description	Voltage	Part Number	
		Hinge Side	Stop Side
Master or Support Unit	24V	754F52	754F53

Master Unit Track Assemblies include track, slider assembly, solenoid block assembly and detector. Hook-up box not included.

Support Unit Track Assemblies include track, slider assembly and solenoid block assembly. Hook-up box not included.



Miscellaneous Parts	
Description	Part Number
Fuse	754F66
Smoke Detector Board	754F73
Solenoid Block Assembly	692F17
Hook-Up Box Cover Kit (Master)	754F71
Hook-Up Box Cover Kit (Support)	754F72

Hook-Up Boxes			
Description	Voltage	Hinge Side	Push Side
Master	24V	754F56	754F61
	120V	754F57	754F62
Support	24V	754F58	754F63
	120V	754F59	754F64

Description	Voltage	Part Number
		Hook-Up Board
Master or Support	24V	754F54
	120V	754F55

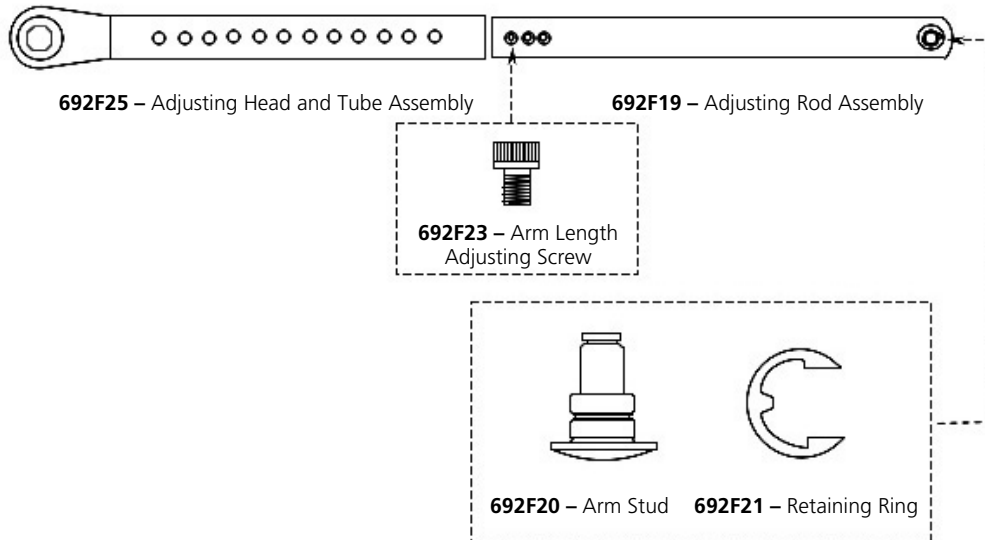
**NOTE: Mounting hardware included with all parts orders.**

# Parts

## DC62900

### Standard Arm Assembly

692F24<sup>1,2</sup>

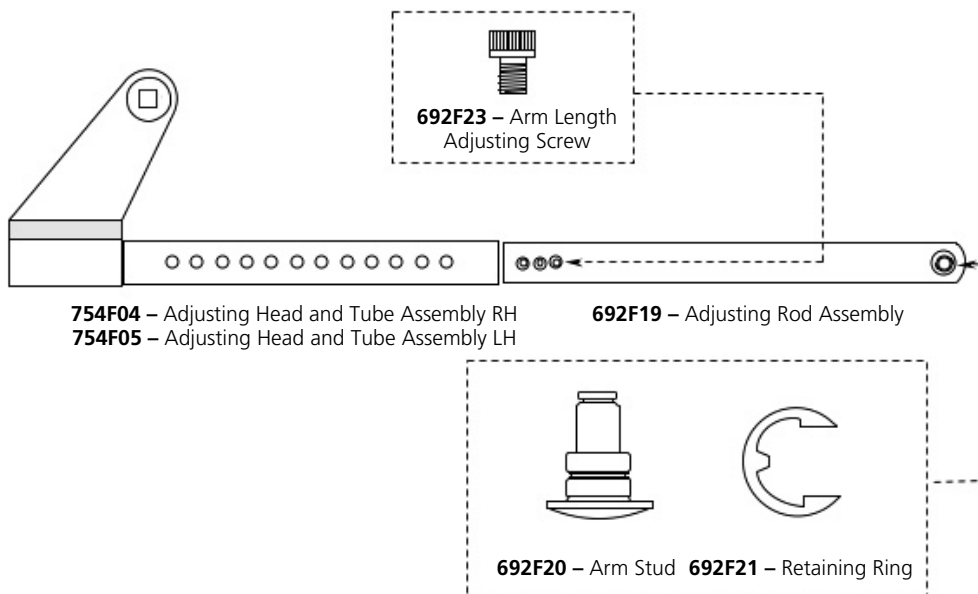


### Double Egress Arm Assembly

(Specify model x Quick Code A6)

754F02 – (Right Hand)<sup>1,2</sup>

754F03 – (Left Hand)<sup>1,2</sup>



1 Includes arm length adjusting screw #692F23

2 Includes arm tube & adjusting rod assembly

**NOTE: Mounting hardware included with all parts orders.**

# How To Order

## DC62900

### Ordering Examples

Application	Model #
Pull Side Mounting	
Master (detected)	DC62930 x ETD
Support	DC62930 x ET
Push Side Mounting	
Master (detected)	DC62940 x ETD
Support	DC62940 x ET

### Finish

Standard painted finishes

Description	Specify
USP Primed for Painting	600
SBL Silver Aluminum Painted	689
LBL Dark Bronze painted	690
DBL Light Bronze Painted	691
FBL Black Painted	693
GBL Satin Brass Painted	696

### Example

Quantity	Model Number	Voltage	Finish	Door Thickness	Misc. Options
3	DC62930 x ETD	120A	689	D134	M73

### Requirements

Single Door	Pair of Doors
(1) ETD or (1) ET	(1) ETD and (1) ET or (2) ET

### Door Thickness

Door Thickness	Specify
1-3/4" (44mm)	(Standard)

### Voltage

Description	Specify
24VAC	(Standard)
24VDC	24D
120VAC	120A

### Arm

Door Thickness	Specify
Double Egress Arm - 1/8" to 3" deep reveal	A6

### Miscellaneous Options

Description	Specify
Torx screws	M04
Sex nuts and bolts (SNBs)	(Standard)
Backcheck intensity and location valves	(Standard)
Full cover	(Standard)
Full metal cover	M73

# Specification

## DC62900

### Suggested Specification

Closer for \_\_\_\_\_ doors shall be electromechanical closer-holder. Hold open to be achieved by electric solenoid locking of the closer arm slide in its track. Track, arm, slide (and) solenoid (and integral smoke detector) to be contained in a single aluminum extrusion 1-1/2" (38mm) high, 1-1/2" (38mm) deep. Closer shall be door mounted. Track and hold open mechanism shall be surface mounted to the frame face for application on the pull side of the door and frame soffit mounted for application on the push side of the door.

Single point hold open shall be selective through a range of 85° to 110°. Hold open point to be achieved by adjustment of a telescoping closer arm.

Closer shall be hydraulic with full rack and pinion enclosed in a cast iron shell. Hydraulic fluid shall be non-gumming and non-freezing. Closer shall have two non-critical values to independently regulate sweep speed and latch speed. It shall have an adjustable backcheck cushioning valve.

(Master units to have an integral smoke detector with photoelectric chamber. Master units integral smoke detector shall have latching alarm and reset switch.) (Support units to be controlled by U.L. Listed Smoke Detection Equipment.) Units to be fail safe and close the door during any interruption to the electrical power. The hold open solenoid coil shall have a maximum amperage draw of (.090 Amps at 24 volts) (.035 Amps at 120 volts). Unit shall have a switch to permit testing of the releasing device function without alarming the system.

All wiring connections shall be made without the need of wire nuts or soldering.

(Master unit(s) shall require a (24VAC/DC) (120VAC, 60Hz) power input.) (Support unit(s) shall require a (24VAC/DC) (120VAC, 60Hz.) power input.) Supplier to coordinate electrical requirements with electrical and alarm system engineers. Wiring (and conduit) by others.

# Notes

DC62900



**ASSA ABLOY**

**In U.S.**

Corbin Russwin  
Architectural Hardware  
225 Episcopal Road  
Berlin, CT 06037  
Phone: 800-543-3658  
Fax: 800-447-6714  
[corbinrusswin.com](http://corbinrusswin.com)

**In Canada**

ASSA ABLOY Door  
Security Solutions Canada  
160 Four Valley Drive  
Vaughan, Ontario  
Canada L4K 4T9  
Phone: 800-461-3007  
Fax: 888-940-3242  
[www.assaabloycanadadss.ca](http://www.assaabloycanadadss.ca)

For more information regarding Corbin Russwin Locksets, Exit Devices, Door Controls and Key Systems, contact your authorized Corbin Russwin Distributor or Sales Representative.

Corbin Russwin and Design® is a registered trademark of Corbin Russwin, Inc., an ASSA ABLOY Group company. Quik-Install™ is a trademark of Corbin Russwin, Inc., an ASSA ABLOY Group company. Other products' brand names may be trademarks or registered trademarks of their respective owners and are mentioned for reference purposes only. These materials are protected under US copyright laws. All contents current at time of publication. Corbin Russwin, Inc. reserves the right to change availability of any item in this catalog, its design, construction, and/or its materials. Copyright © 2006, 2013 Corbin Russwin, Inc. All rights reserved. Reproduction in whole or in part without the express written permission of Corbin Russwin, Inc. is prohibited.

ASSA ABLOY is the global leader in door opening solutions, dedicated to satisfying end-user needs for security, safety and convenience.