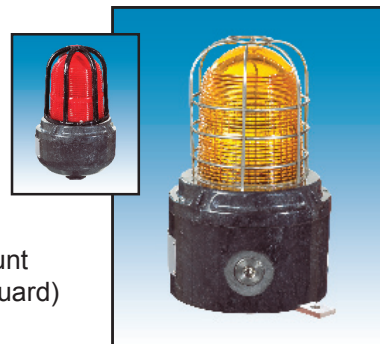


Strobe - 355 Candela, Hazardous Location XB15



XB15
Pipe Mount
(with cast guard)

XB15 Direct
Mount (with
wire guard)

Description:

These listed strobes have been designed for use in potentially explosive atmospheres and harsh environmental conditions. The enclosures are suitable for use offshore or onshore, where light weight combined with corrosion resistance is required.

The housings are manufactured completely from a U.V. stable, glass reinforced polyester. Stainless steel screws and mounting bracket are available ensuring a totally corrosion-free product.

The model XB15 contains a polarization diode and four wire lead connections for fire alarm applications.

Units can be painted to customer specification and supplied with identification labels.

Architects and Engineers Specifications

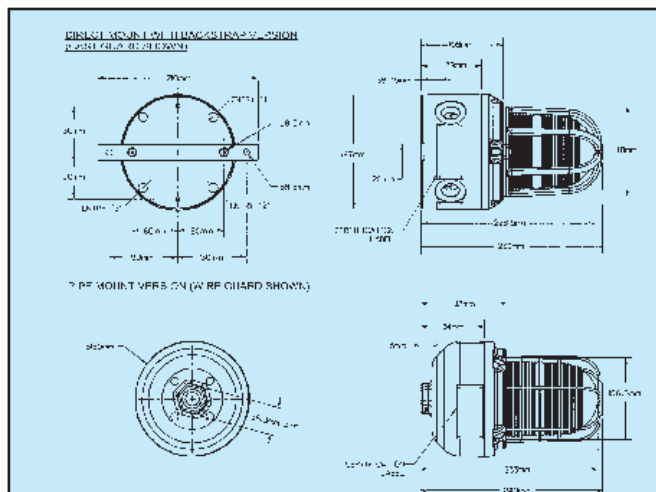
Strobes for hazardous locations and harsh environments shall be UL and cUL Listed for Class I, Division 2, Groups A, B, C & D, and Class I, Zones 1, Class II, Div 2, Groups F & G, AExd IIC T5/T6 applications and shall be listed under UL Standard 1638 for Indoor/Outdoor use. They shall be constructed of lightweight, UV stable glass reinforced polyester, shall be corrosion resistant, and shall meet NEMA 4x, NEMA 6, IP 66 & IP 67 environmental requirements over a temperature range of -67°F to +158°F (-55°C to +70°C).

The strobes shall be rated to flash at 1 Hz with 15 joules per flash. Rated current draw shall not exceed 780 mA at 24 vdc. The strobes shall be available for direct surface mounting or pipe mounting and shall be able to mount in any direction.

Note: Due to continuous development of our products, specifications and offerings are subject to change without notice in accordance with Cooper Wheelock standard terms and conditions.

Features*:

- UL listed for USA and Canada
 - Hazardous locations:
 - Class I, Div. 2, Groups A, B, C & D.
 - Class I, Zone 1, AExd IIC T5/T6
 - Class II, Div. 2, Groups F & G
 - Ordinary locations: Visual-Signal Device
 - Marine Listed
 - CSFM Listed
 - ULC Listed to Canadian Safety Standards
 - Conforms to ULC regulated a.c. power supplies.
 - ATEX approved
 - NEMA 4x & 6, IP66 & 67
 - Certified temperature -67°F to +158°F (-55°C to +70°C)
 - 520,000 peak candlepower
 - Pipe mount or direct mount enclosure
 - Corrosion-free GRP
 - Four wire monitored connection and supervisory Diode
 - Optional stainless steel backstrap (direct mount version only)
 - Various lens colors
 - Optional relay initiate
 - Optional cast or wire lens guard
 - Up to 3 x 3/4" NPT entries
 - Filament version available (100W max)
- *Depends on version



Specification

Certification:	UL Listed for USA and Canada: – Hazardous locations Class I, Div 2, groups A, B, C & D. Class 1, Zone 1 Class II, Div 2, groups F & G, AExd IIC T4/T5. UL listing No. E187894. – Ordinary locations: Visual Signal Device, Marine Listed. UL listing No. S8128 CENELEC EN50014 & EN50018. ATEX Cert. No. Baseefa 04ATEX0009X.
Material:	Body: Glass reinforced polyester. Lens: Glass. Backstrap: stainless steel 316. Wire Guard (optional): Stainless steel wire. Cast Guard (optional): Aluminium LM25M.
Finish:	Natural black or epoxy painted to customer specification.
Voltage:	24, 48V d.c. 110, 120, 230, 240, 254V a.c.
Tube Energy:	15 Joules.
Tube Life:	>1 x 10 ⁶ flashes.
Flash Rate:	60, 80, 120 fpm.
Certified Temperature:	-67°F to +104°F (T6) -55°C to +40°C (T6) -67°F to +131°F (T5) -55°C to +55°C (T5)
Weight:	Pipe mount: 5.75lb./2.6kg; Direct mount: 6.5lb./3.0kg.
Ingress Protection:	NEMA 4x & 6, IP66 & IP67.
Entries:	Supplied as 2 x 3/4" NPT (direct mount) or 3/4" (pipe mount) as standard. Other options available: Up to 3 x 1/2" NPT or 3 x 3/4" NPT (direct mount); 1/2" NPT (pipe mount) – contact sales office to order.
Terminals:	Direct mount: 12 x 14 AWG Pipe mount: 8 x 14 AWG
Relay Initiate:	Available on all units – suitable for 24V d.c. supplies only.
Labels:	Tag/Duty label option.

Electrical Ratings: (UL,UW,UM versions)

	d.c		a.c				
	24	48	110	120	230	240	254
Voltage							
Current (A)	.99	.73	.4	.4	.2	.2	.17
Effective Candela - 330							

Multiplying Factor for Colored Lenses:

Red	Blue	Amber	Green	Yellow
0.15	0.12	0.51	0.49	0.86

Electrical Ratings: ULC Versions

	D.C.		Regulated A.C.	
	24	48	120	240
Voltage				
Current	1.24	.76	.4	.2
Light Output (Cd) No Guard	60	50	30	30

Multiplying Factor for Colored Lenses:

Red	Blue	Amber	Green	Yellow
0.2	0.27	0.36	0.24	0.65

*Light output tested to ULC-S526-07 requirements.

Note: When placing your order, please include Supervision Diode on products.

Configuration Options:

Model	Certification	Voltage	Lens Flashrate	Lens Color	Unit Guard	Fixing	Other Options	Finish																																																																																			
XB15	<input type="checkbox"/>	<input type="checkbox"/>	<input type="checkbox"/>	<input type="checkbox"/>	<input type="checkbox"/>	<input type="checkbox"/>	<input type="checkbox"/>	<input type="checkbox"/>																																																																																			
<table border="1"> <thead> <tr> <th>Certification</th> <th>Code</th> </tr> </thead> <tbody> <tr> <td>UL</td> <td>UL</td> </tr> <tr> <td>UL (Ordinary Location)</td> <td>UW</td> </tr> <tr> <td>UL Marine</td> <td>UM</td> </tr> <tr> <td>ULC</td> <td>UC*</td> </tr> </tbody> </table> <p>*254V a.c not available with ULC</p>		Certification	Code	UL	UL	UL (Ordinary Location)	UW	UL Marine	UM	ULC	UC*	<table border="1"> <thead> <tr> <th>Voltage</th> <th>Code</th> </tr> </thead> <tbody> <tr> <td>24V d.c.</td> <td>024</td> </tr> <tr> <td>48V d.c.</td> <td>048</td> </tr> <tr> <td>110V a.c.</td> <td>110</td> </tr> <tr> <td>120V a.c.</td> <td>120*</td> </tr> <tr> <td>230V a.c.</td> <td>230</td> </tr> <tr> <td>240V a.c.</td> <td>240*</td> </tr> <tr> <td>254Va.c.</td> <td>254</td> </tr> </tbody> </table> <p>*Also conforms to ULC regulated power supplies.</p>		Voltage	Code	24V d.c.	024	48V d.c.	048	110V a.c.	110	120V a.c.	120*	230V a.c.	230	240V a.c.	240*	254Va.c.	254	<table border="1"> <thead> <tr> <th>Fpm</th> <th>Code</th> </tr> </thead> <tbody> <tr> <td>60</td> <td>06</td> </tr> <tr> <td>80</td> <td>08</td> </tr> <tr> <td>120</td> <td>12</td> </tr> </tbody> </table>		Fpm	Code	60	06	80	08	120	12	<table border="1"> <thead> <tr> <th>Guard</th> <th>Code</th> </tr> </thead> <tbody> <tr> <td>None</td> <td>N</td> </tr> <tr> <td>Cast</td> <td>C</td> </tr> <tr> <td>Wire</td> <td>W</td> </tr> </tbody> </table>		Guard	Code	None	N	Cast	C	Wire	W	<table border="1"> <thead> <tr> <th>Option</th> <th>Code</th> </tr> </thead> <tbody> <tr> <td>None</td> <td>N</td> </tr> <tr> <td>Tag label</td> <td>T</td> </tr> <tr> <td>Duty label</td> <td>D</td> </tr> <tr> <td>Relay initiate*</td> <td>R</td> </tr> <tr> <td>Blanking Plug</td> <td>P</td> </tr> </tbody> </table> <p>*Suitable for 24V d.c. supplies only.</p>		Option	Code	None	N	Tag label	T	Duty label	D	Relay initiate*	R	Blanking Plug	P	<table border="1"> <thead> <tr> <th>Unit Fixing</th> <th>Code</th> </tr> </thead> <tbody> <tr> <td>Pipe mount</td> <td>P†</td> </tr> <tr> <td>Direct mount</td> <td>D†</td> </tr> <tr> <td>Direct w/backstrap</td> <td>B†</td> </tr> </tbody> </table> <p>†Contact MEDC Sales Office if 1/2" NPT is required.</p>		Unit Fixing	Code	Pipe mount	P†	Direct mount	D†	Direct w/backstrap	B†	<table border="1"> <thead> <tr> <th>Finish</th> <th>Code</th> </tr> </thead> <tbody> <tr> <td>Natural Black</td> <td>N</td> </tr> <tr> <td>Red</td> <td>R</td> </tr> <tr> <td>Blue</td> <td>B</td> </tr> <tr> <td>Yellow</td> <td>Y</td> </tr> <tr> <td>Green</td> <td>G</td> </tr> <tr> <td>White</td> <td>W</td> </tr> <tr> <td>Special Finish</td> <td>S</td> </tr> </tbody> </table>		Finish	Code	Natural Black	N	Red	R	Blue	B	Yellow	Y	Green	G	White	W	Special Finish	S
Certification	Code																																																																																										
UL	UL																																																																																										
UL (Ordinary Location)	UW																																																																																										
UL Marine	UM																																																																																										
ULC	UC*																																																																																										
Voltage	Code																																																																																										
24V d.c.	024																																																																																										
48V d.c.	048																																																																																										
110V a.c.	110																																																																																										
120V a.c.	120*																																																																																										
230V a.c.	230																																																																																										
240V a.c.	240*																																																																																										
254Va.c.	254																																																																																										
Fpm	Code																																																																																										
60	06																																																																																										
80	08																																																																																										
120	12																																																																																										
Guard	Code																																																																																										
None	N																																																																																										
Cast	C																																																																																										
Wire	W																																																																																										
Option	Code																																																																																										
None	N																																																																																										
Tag label	T																																																																																										
Duty label	D																																																																																										
Relay initiate*	R																																																																																										
Blanking Plug	P																																																																																										
Unit Fixing	Code																																																																																										
Pipe mount	P†																																																																																										
Direct mount	D†																																																																																										
Direct w/backstrap	B†																																																																																										
Finish	Code																																																																																										
Natural Black	N																																																																																										
Red	R																																																																																										
Blue	B																																																																																										
Yellow	Y																																																																																										
Green	G																																																																																										
White	W																																																																																										
Special Finish	S																																																																																										



WE ENCOURAGE AND SUPPORT NICET CERTIFICATION
3 YEAR WARRANTY
XB15 08/11

NJ Location
273 Branchport Ave.
Long Branch, NJ 07740
P: 800-631-2148
F: 732-222-8707
www.coopernotification.com