

# STI PIR MOTION SENSOR

## INSTALLATION AND OPERATING INSTRUCTIONS

### For use with STI Wire-Free Home Protection System

Please keep these instructions in a safe place for future reference.

#### Kit contents:

- 1 Motion Sensor
- 1 Ball-head joint mounting bracket
- 3 Screws and wall plugs
- 1 Installation and operating instructions

#### 1. Introduction

The STI PIR Motion Sensor is designed to trigger the STI Wire-Free Home Protection System Smart Panel when it senses movement in a given area.

Note: When pets are in the home, it is advised that they are not allowed onto higher surfaces (above 3 feet in height) because they may trigger the sensor.

#### 2. Location

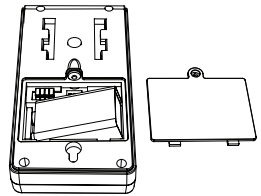
First determine the location of the Sensor, which should be placed:

- On a solid surface between 6ft to 8ft (1.8m to 2.4m) from the floor.
- Near key entry/exit points.
- Away from extreme temperature sources (radiators, ovens, stoves, etc.) and large metal objects that could interfere with the wireless performance.
- Away from direct sunlight.
- Indoors only and not behind partitions, curtains, etc.
- Where better RF performance can be achieved (if necessary).
- Mount as high as possible to avoid easy access.
- Location in a corner will ensure wider room coverage.

#### 3. Installation and Operation

##### 3.1 Powering up the Motion Sensor

- Remove the battery cover, insert and connect a 9V battery as shown in diagram and replace the cover (requires 1 x 9V battery).
- Low battery indication: If the batteries need to be replaced, the RED LED will flash (not including entry/exit delay flashing).



##### 3.2 Installing the Motion Sensor

- Hold the enclosed mounting template against the wall at the selected location and mark the points for drilling.
- Drill the holes and insert wall plugs.
- Attach the bracket to the mounting surface with the screws provided.
- Attach the Motion Sensor to the mounting bracket.

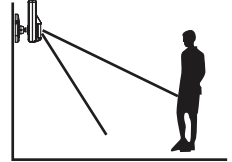
### 3.3 Sensor sensitivity

**IMPORTANT!** The Motion Sensor is designed with a power saving program and will remain inactive for 3 minutes after each detection. Please bear this in mind during system set up.

The sensitivity of the Motion Sensor is adjustable and can be changed by setting the connector on either the "High," "Middle" or "Low" position. When the sensitivity is set to "Low," more movement is required to trigger the sensor. It is recommended to set the sensitivity to "Low" and perform a "Walk Test" (described in section 3.4). If the walk test result is satisfactory, the sensitivity does not require further adjustment. If the walk test results show the sensitivity is too low, then the sensitivity can be set to "Middle" or "High" as required. It is recommended a walk test be conducted after each change in sensitivity setting.

### 3.4 Walk test

After mounting the sensor at the desired location, it is important to perform a walk test in order to determine if the sensor is detecting the correct area. The distance at which the sensor can detect motion can be adjusted by altering the angle of the sensor. To reduce the detection range, simply move the sensor downward and move the sensor upward to maximize the range.

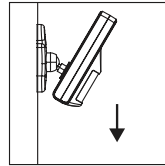


Note: Enter into ALERT mode before you perform the walk test, so the alarm is not triggered.

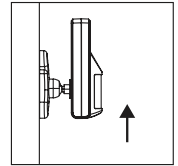
You should walk in the area you would like the sensor to monitor. If movement is detected, the red light inside the unit will appear. If the red light does not appear, adjust the mounting angle accordingly. Perform the walk test again after 3 minutes. Repeat this procedure until motion is detected. While carrying out the test, there should be no movement in the detection area during the 3 minute interval.

**\* Tips: The sensor should not face towards direct sunlight, be placed near heat or cold producing devices (i.e. air conditioning, radiators, fans, ovens, heaters, etc.) that may cause false triggers. Also perform the walk test in areas which the sensor is not intended to cover, to ensure movement cannot be detected.**

Move the sensor downward to reduce the range.



Move the sensor upward to maximize the range.



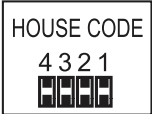

### 4. House Security Code Settings

Unless the factory settings of the Wire-Free Home Protection System Smart Panel have been altered, the House Security Code will NOT need to be changed.

However, if the settings on the Smart Panel have been altered, or need to be altered to solve the problem of the Smart Panel and sensors activating intermittently (or not working at all) or interference with another system, then the House Security Code on all system modules (sensors and sirens) will also need to be changed.

House Security Code settings can be altered as follows:

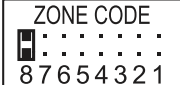
- There are 4 jumpers or dip-switches on each device.
- Remove the [jumper compartment cover], then pull out or plug the jumper into the contacts to change the House Security Code.
- If a jumper is plugged it is ON, if it is removed it is OFF. Default code is with all the jumpers plugged.
- To ensure the system works correctly, make sure the jumpers on the Smart Panel and all other system modules (sensors and sirens) match exactly.

Jumpers for house security code		<ul style="list-style-type: none"> <li>- Smart Panel</li> <li>- Each sensor</li> </ul> <p>Default house code: 1: ON, 2: ON, 3: ON, 4: ON</p> <p>*Jumper: ON = Plugged, OFF = Pull Out</p>
Dip-Switches for house security code		<ul style="list-style-type: none"> <li>- Key Fob Remote</li> </ul> <p>Default house code: 1: ON, 2: ON, 3: ON, 4: ON</p>

**5. Zone Code Settings**

The sensor is supplied with a pre-assigned Zone setting. The sensor can be assigned to a different zone as follows:

- Unscrew and remove the battery compartment cover on the rear of the sensor.
- In the area marked “Zone Code” there are eight pairs of metal contacts with a number next to each.
- The number corresponding to the pair of contacts which is plugged with a jumper is the current zone.
- To re-assign to a different zone, simply unplug the jumper from its current zone and plug it across the contacts corresponding to the new zone number selected.

Jumper for Zone Code		Default zone code: Zone 8
----------------------	---	---------------------------

**6. Maintenance**

The product may be cleaned with a soft damp cloth and then wiped dry. Do not use abrasive, solvent based or aerosol cleaners as this may damage and/or discolor the product. Do not allow water to enter or attempt to clean inside the unit.

**7. Batteries**

Do not allow the batteries to corrode or leak as this may cause permanent damage to the product. Take care to insert the batteries with the correct polarity as shown inside the battery compartments. Do not mix new and old batteries or different types of batteries. Do not use rechargeable batteries.

At the end of their useful life the batteries should be disposed of via a suitable recycling center. Do not dispose of with your normal household waste. DO NOT BURN.

**8. Alarm System Limitations**

Even the most advanced alarm systems cannot guarantee 100% protection against burglary or environmental problems. All alarm systems are subject to possible compromise or failure-to-warn for a variety of reasons.

Please note you may encounter problems with your system if:

- The sensors are not placed within hearing range of persons sleeping or remote parts of the premises.
- The sensors are placed behind doors or other obstacles.
- Intruders gain access through unprotected points of entry (where sensors are not located).

**9. Warranty**

One year limited warranty.

Electronic warranty form at [www.sti-usa.com/wc14](http://www.sti-usa.com/wc14).

- Intruders have the technical means of bypassing, jamming or disconnecting all or part of the system.
- The power to the sensors is inadequate or disconnected.
- The sensors are not located in proper environmental/temperature conditions (i.e. too close to a heat source)

**Note: Inadequate maintenance is the most common cause of alarm failure; therefore, test your system at least once per week to be sure the sensors and sirens are working properly. Although having an alarm system may make you eligible for reduced insurance premiums, the system is no substitute for insurance.**

**WARNING: Security system devices cannot compensate for loss of life or property.**



**Safety Technology  
International, Inc.**

Waterford, MI 48327  
800-888-4784 (4STI)  
[www.sti-usa.com](http://www.sti-usa.com)