



921100-00

Trim

# 696/697TP/TP-BE

# VON DUPRIN®

Installation Instructions

1. Prepare door for exit device. See exit device instructions for holes, line X-X, and center lines.
2. Prepare door for trim:
  - A. Transfer line X-X from inside (exit device side) of door to outside (trim side) of door. Use extra care if edge of door is beveled.
  - B. Locate and prepare all holes as shown.
3. For TP trim with 98/99 Rim, 98/9927, or 98/9947 exit device:
  - A. Install cylinder (Figure 1).
  - B. Cut cylinder tailpiece to extend 7/16" to 9/16" out of exit device side of door.
  - C. Install tailpiece guide in exit device cam (Figure 2).
4. Apply trim.
5. Apply exit device.

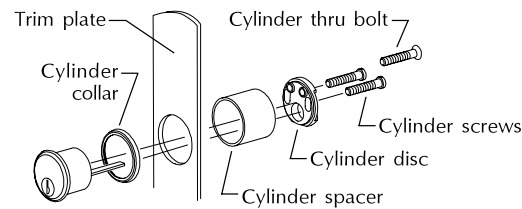


Figure 1

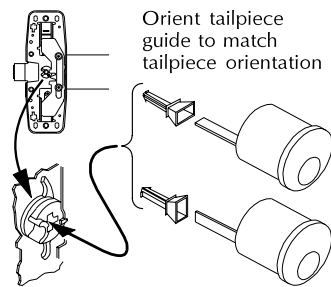
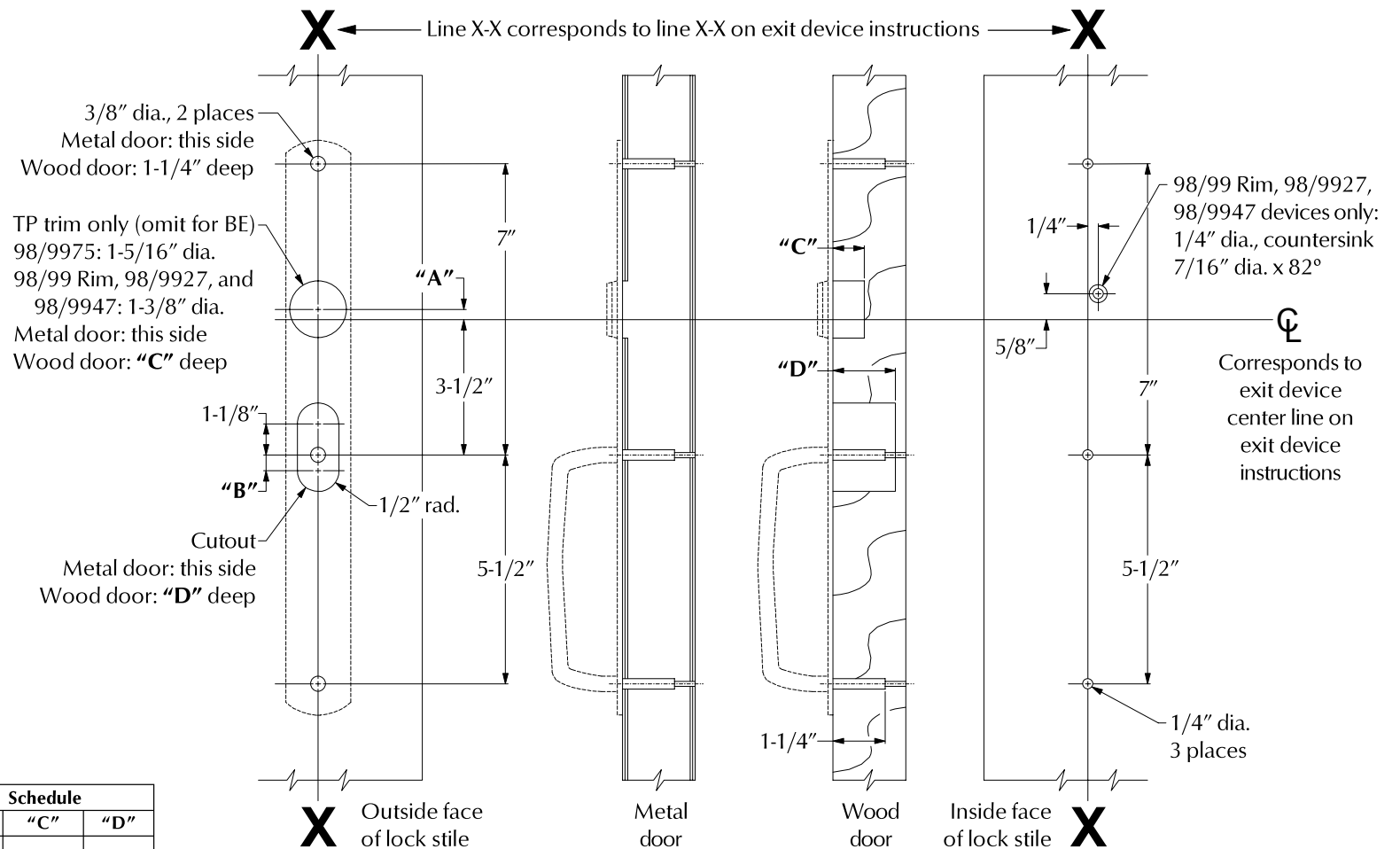


Figure 2

Device Application Schedule				
Device	"A"	"B"	"C"	"D"
98/99 Rim				
98/9927	1/4"	3/8"	1-9/16"	1-1/2"
98/9947				
98/9975	2-1/4"	1/2"	3/4"	5/8"



LHR shown, RHR opposite

For cutouts on inside face of door, see exit device instructions

**Customer Service**  
 1-877-671-7011 www.allegion.com/us



© Allegion 2014  
Printed in U.S.A.  
921100-00 Rev. 01/14-b