



941017-00

Cylinder Preparation for 5547 Concealed Vertical Rod Device

555NL

VON DUPRIN®

Installation Instructions

1. Prepare door for exit device. See exit device instructions for holes, line X-X, and center lines.
2. Prepare door for cylinder:
 - A. Transfer line X-X from inside (exit device side) of door to outside (cylinder side) of door. Use extra care if edge of door is beveled. Be sure line X-X is parallel to edge of door.
 - B. Locate and prepare all holes as shown.
3. Apply exit device.
4. Install cylinder:
 - A. Cut cylinder tailpiece to length (see Figure 1).
 - B. Install cylinder and assemble component parts (see Figure 2).
5. Secure cylinder on door:
 - A. Install and tighten cylinder thru bolt.
 - B. Adjust cylinder release bracket to contact trim cylinder cam.

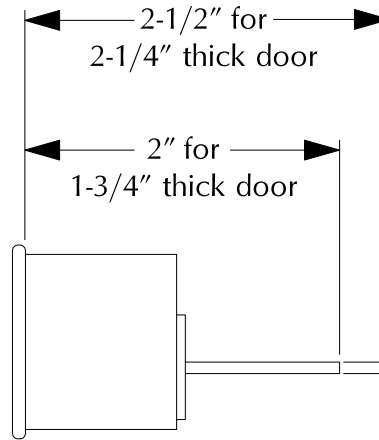


Figure 1. Cut cylinder tailpiece to length.

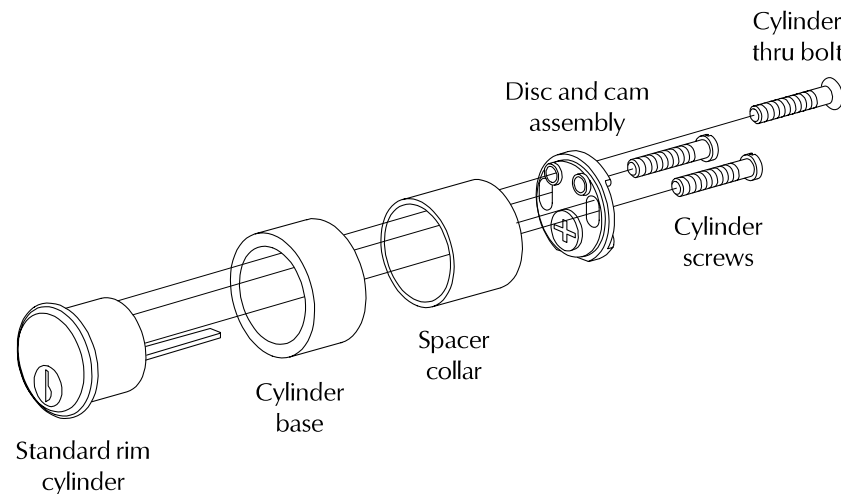
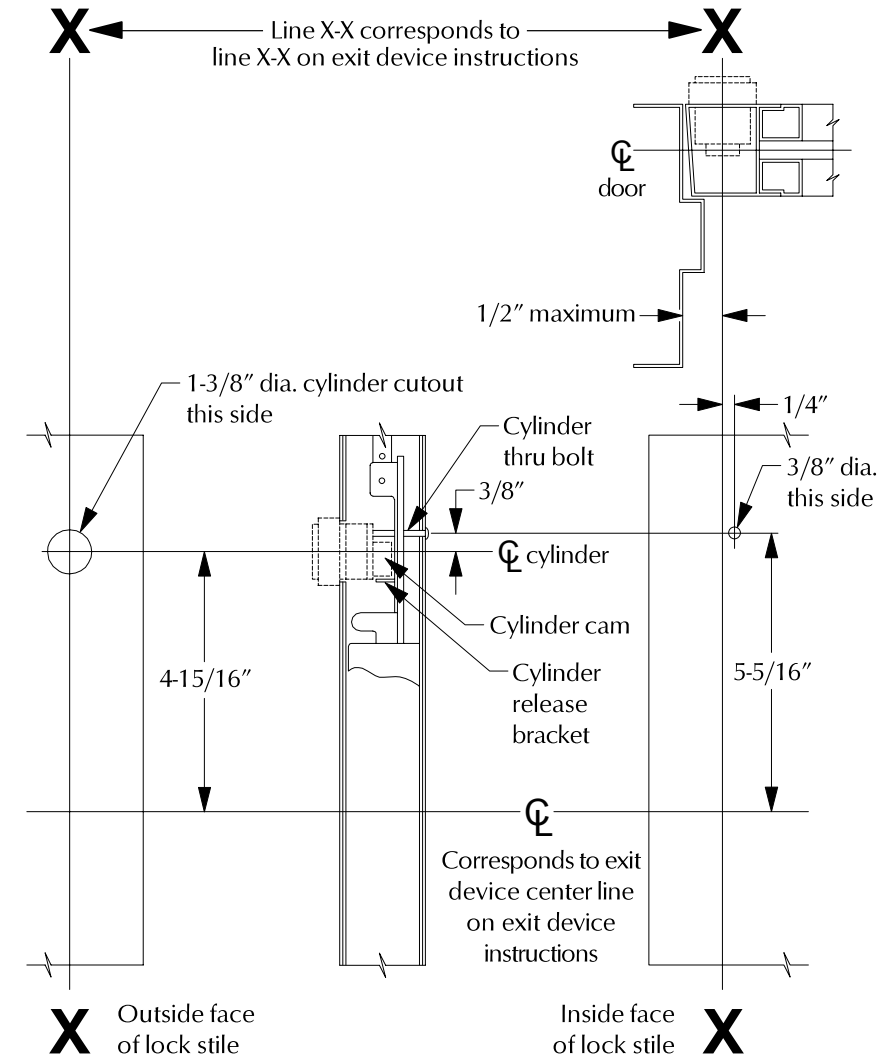


Figure 2



LHR shown, RHR opposite

For cutouts on inside face of door, see exit device instructions

Customer Service
1-877-671-7011 www.allegion.com/us



© Allegion 2014
Printed in U.S.A.
941017-00 Rev. 01/14-b