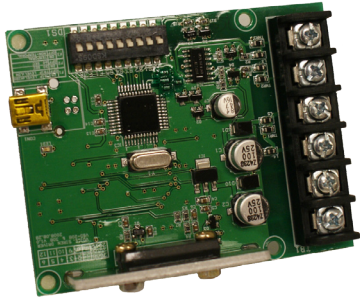


# VSD-308

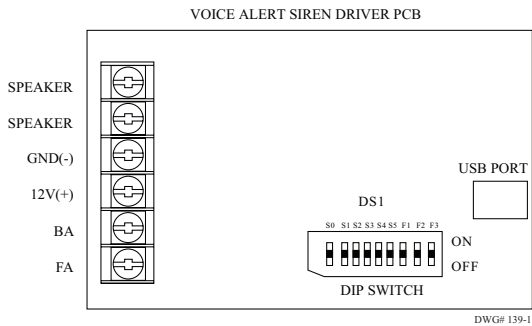
## RECORDABLE SIREN DRIVER



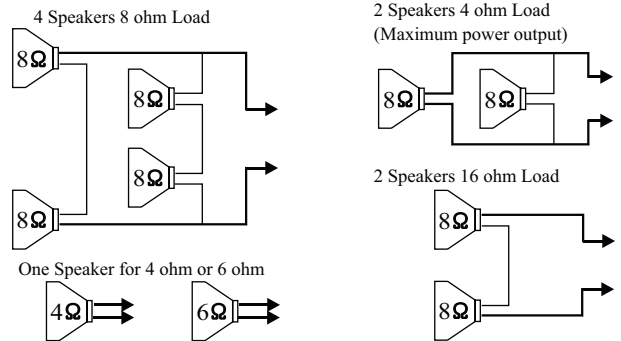
- User recordable voice message
- On-board mini USB connection
- On-board software included
- .wav files easily uploaded from computer
- Fire/burglar message in English, Spanish or both
- 8 distinctive sound outputs
- 32 different selectable sound combinations
- Selectable temporal pattern
- Operates on 9-18 VDC
- Use with 4, 8 and 16 Ohm speakers
- Compatible with Amseco® models SHX-51, SH-4, FHS-2, FHS-3

The VSD-308 is versatile and easy to install. This device provides users with the ability to customize a high quality message to be broadcast upon signal activation. A built-in mini USB connection allows end users to edit and upload pre-recorded messages digitally through their computers prior to installation. The on-board software allows new messages to be created or standard file formats to be converted. The VSD-308 is pre-loaded with standard burglar and fire voice alerts which can be broadcast in English, Spanish or both. In addition to the 8 on-board sound options, 64 different .wav files may be uploaded to the device using a mini USB cable (not included).

### Installation Wiring



### Multiple Speaker Wiring Configuration



\* 8 ohm 15 watt Speakers are recommended.  
4 ohm or 6 ohm Speakers, use one speaker only.

DWG# 139-2

Model	Stock Number	Input Voltage	Current draw
VSD-308	4170003	12 VDC	Idle - 160mA 4 ohm - 1.9A max 8 ohm - 1.1A max 16 ohm - .8A max