



VOT-320

VOT-320V0xxL | VOT-320V0xxH



BOSCH

en Quick Installation Guide

Table of Contents

1	General information	4
2	Parts included	5
3	Unpacking	6
4	Installing and connecting	7
4.1	Mounting the camera	7
4.2	Preparing the installation	8
4.3	Earthing	9
4.4	Serial connection	10
4.5	Alarm and relay connections	11
4.6	Pan/tilt connection	12
4.7	Network connection	13
4.8	Connecting the power supply	14
4.9	Adjusting the WFOV lens	15
5	Configuration	16
5.1	Assigning an IP address	16
5.2	Testing the configuration	17

1 General information

This Quick Installation Guide applies to all variants of the VOT-320.



WARNING!

For compliance with safety regulations, the earthing and bonding wires must always be connected to the main ground post.

Only operate the VOT-320 in combination with a SELV power supply unit.



CAUTION!

You should always make yourself familiar with the required safety measures in the relevant chapter of the Installation and Operating Manual (see product CD). This contains important information on installation and operation.

This Quick Installation Guide only describes the basic procedure for installing a VOT-320 and cannot replace the complete manual.

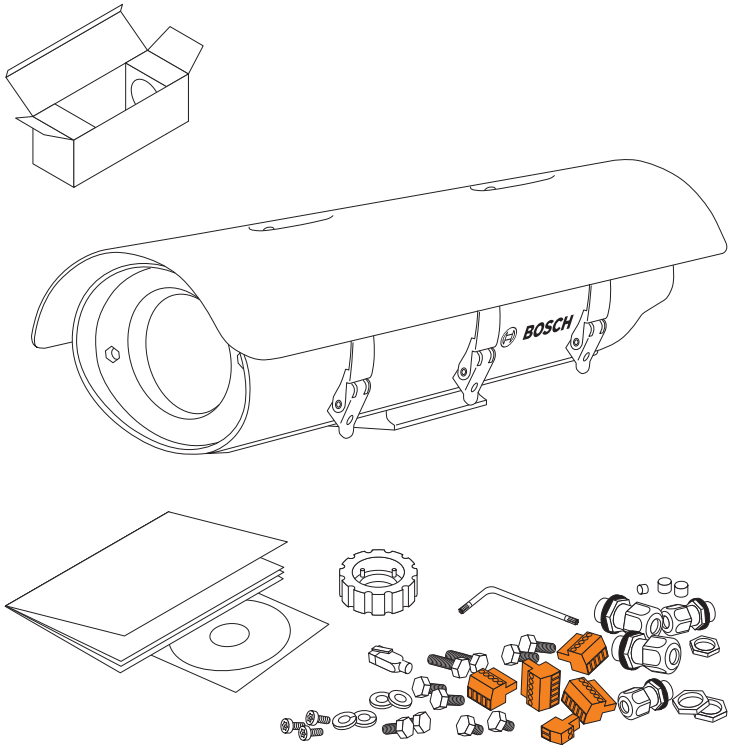
For further detailed information, please see the extensive online Help for the VOT-320.

This Quick Installation Guide, the Installation and Operating Manual and the current firmware package are available in other languages at www.boschsecurity.com.

2 **Parts included**

- 1 VOT-320 thermal IP camera
- 5 terminal blocks
- 1 focussing tool (to be used with WFOV lenses)
- 1 RJ45 plug
- 10 screws, 2 washers and 2 lock washers to fasten the housing
- 3 tamper resistant torx screws to lock the latches
- 1 torx wrench
- 4 cable glands
- 3 nuts for cable glands
- 3 plugs for unused cable glands
- 1 Quick Installation Guide
- 1 product CD

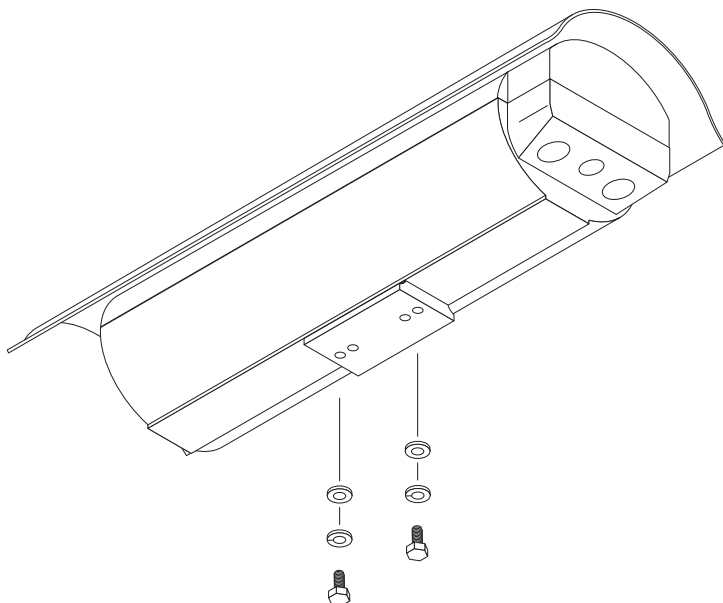
3 Unpacking



- Check that the delivery is complete and in perfect condition.
- Arrange for the unit to be checked by Bosch Security Systems if you find any damage.

4 Installing and connecting

4.1 Mounting the camera



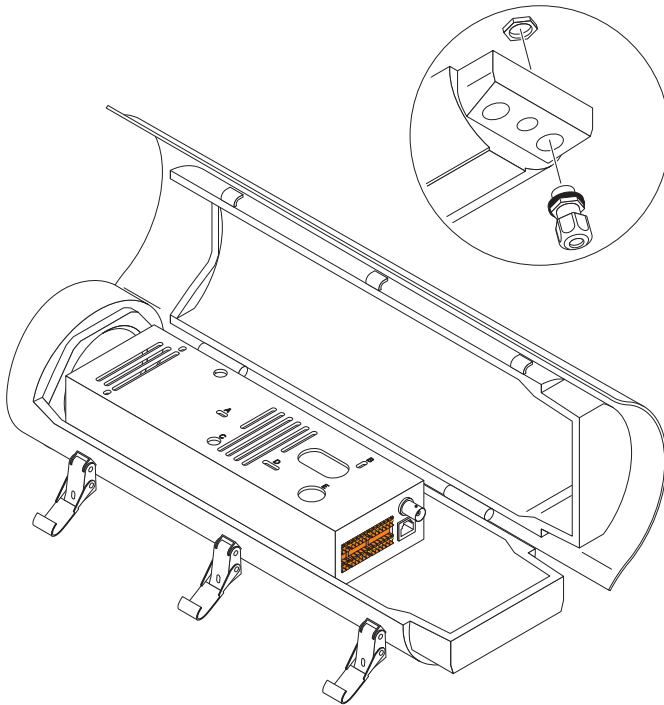
CAUTION!



The camera must be properly and securely mounted to a supporting structure capable of sustaining the unit weight. Use care when selecting mounts or pan/tilts (not supplied) for installation; the mounting surface and unit's weight must be carefully considered.

-
- Use two appropriate screws, washers and spring washers to mount the camera to a mount or a pan/tilt. The spring washers must be used for the screws to thread properly.

4.2 Preparing the installation



- Open the cover by unlatching the three latches on the side of the housing.
- Fasten the required cable glands.
- Close holes that are not needed with suitable plugs.

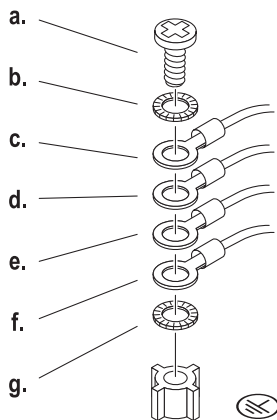
CAUTION!



Be sure to securely tighten all fittings to ensure a liquid-tight seal. Failure to do this could allow water to enter the housing and damage electronic parts, camera, and lens.

Use drip loops on the wiring outside of the rear end caps.

4.3 Earthing

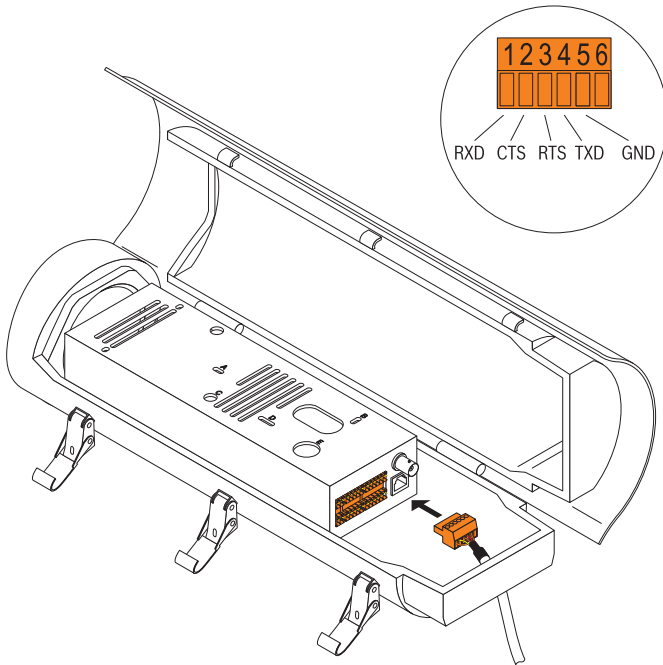


CAUTION!

For compliance with safety regulations, the earthing and bonding wires must always be connected to the main ground post.

- Loosen the fixing screw on the bottom of the camera housing next to the ground symbol.
- Remove only the bottommost tooth lock washer from the screw.
- If you mount the camera on a pan/tilt, first attach the corresponding bonding wire to the screw. For earthing, use a wire AWG 18 size minimum. Attach the earthing wire to the screw. Reattach the bottommost tooth lock washer.
- Make sure the following sequence is maintained:
 - a. Screw
 - b. Tooth lock washer
 - c. Bonding wire leading to the housing top
 - d. Bonding wire leading to the camera module
 - e. Only with pan/tilt: Bonding wire leading to the pan/tilt
 - f. Earthing wire
 - g. Tooth lock washer
- Refasten the screw.

4.4 Serial connection

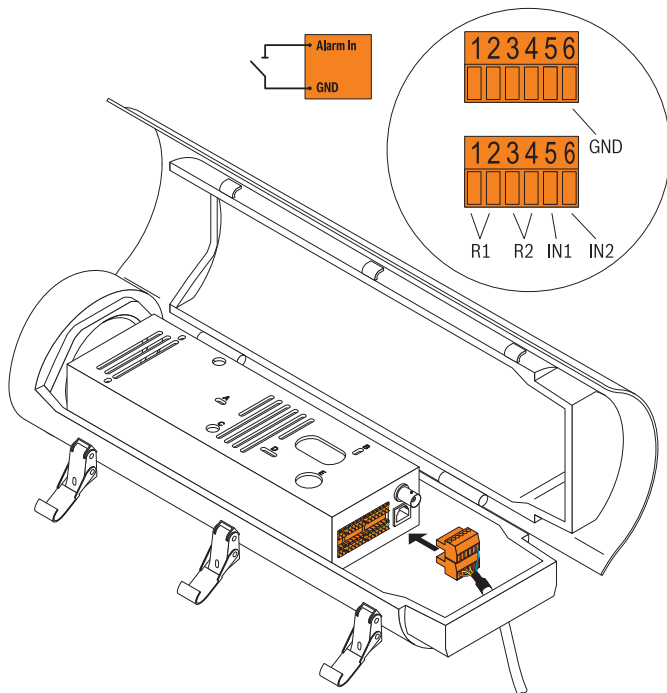


CAUTION!

Please observe the labeling on the camera module of the VOT-320 and the correct position for the terminal block.

- If you require a serial connection to the VOT-320, connect the relevant cables to the terminal block.
- Connect the terminal block to the upper orange socket on the VOT-320.

4.5 Alarm and relay connections



CAUTION!



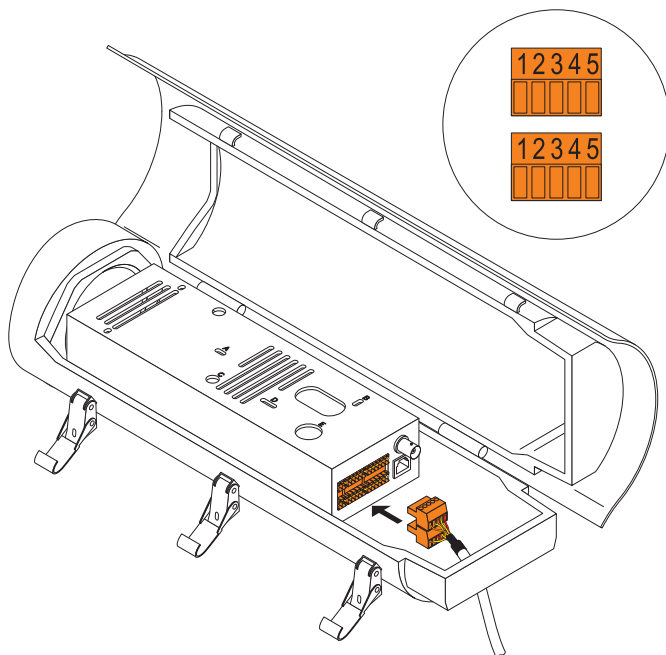
Please observe the labeling on the camera module of the VOT-320 and the correct position for the terminal block.

Please observe the following specifications for the relay outs:

max. 30 V, 200 mA

- Connect the alarm switches to the appropriate terminals.
- Connect the relay connections to the appropriate terminals.
- Connect the terminal blocks to the orange sockets on the VOT-320.

4.6 Pan/tilt connection

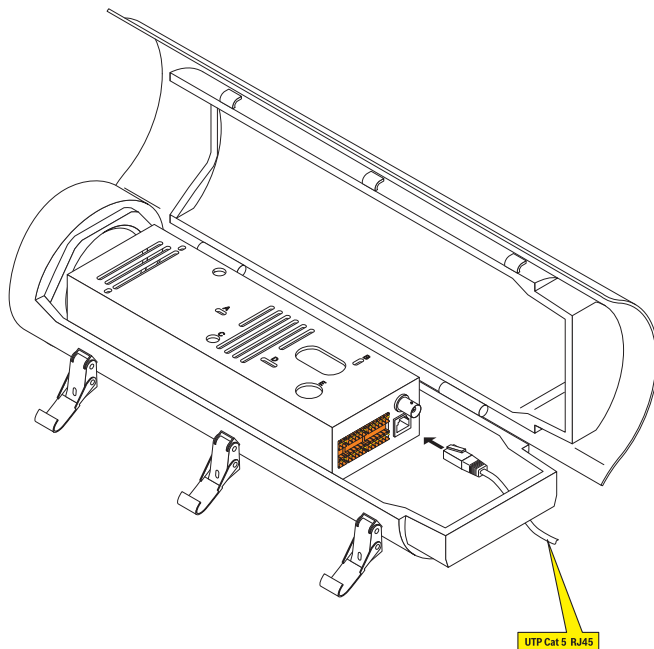


- Connect the VOT-320 to a suitable pan/tilt:

Upper row:	1	Pan Right
	2	Pan Left
	3	P/T Common
	4	Pan Position
	5	Tilt Position
Lower row:	1	Tilt Up
	2	Tilt Down
	3	P/T Common
	4	PP Return (–)
	5	PP Supply (+)

- Connect the ground wire from the pan/tilt to the GND screw on the bottom inside the housing.

4.7 Network connection

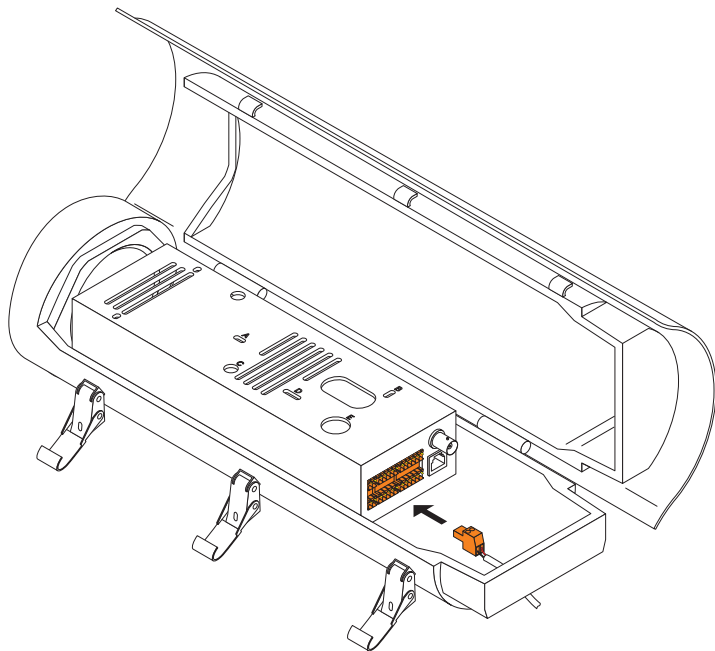


- First crimp the wires according to the EIA/TIA standard you are using:

Pin	EIA/TIA-568-A	EIA/TIA-568-B
1	white/green	white/orange
2	green	orange
3	white/orange	white/green
4	blue	blue
5	white/blue	white/blue
6	orange	green
7	white/brown	white/brown
8	brown	brown

- Connect the VOT-320 to the network via the RJ45 socket.

4.8 Connecting the power supply



CAUTION!

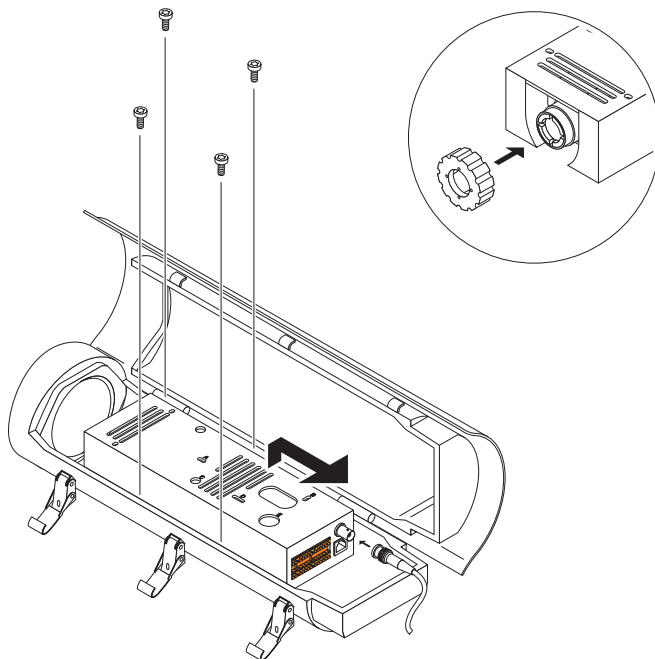


Only operate the VOT-320 in combination with a SELV power supply unit that meets the following specifications: 24 VAC output voltage, min. 33.6 VA without pan/tilt.

Please observe the labeling on the camera module of the VOT-320 and the correct position for the terminal block.

- Connect the power supply unit cables to the terminal block.
- Connect the terminal block to the orange socket on the VOT-320.
- Insert the power supply unit plug into a suitable socket.

4.9 Adjusting the WFOV lens



Cameras with 9 mm, 13 mm, and 19 mm lenses cover a wide field of view (WFOV). You may need to adjust the focus. All other lenses are preset and do not need to be adjusted.

- To check the image, connect a monitor to the BNC socket.
- Loosen the four fixing screws of the camera module.
- Lift the camera module and slide it backwards in order to reach the lens.
- Attach the focussing tool to the lens and turn it to set the focus.
- Remove the focussing tool.
- Lift the camera module and slide it back to the original position.
- Refasten the four screws and disconnect the monitor.
- Close the cover of the housing, and secure the latches using the tamper resistant screws and the provided torx wrench.


5 Configuration

5.1 Assigning an IP address



NOTICE!

Before you can operate the VOT-320 within your network, it must have a valid IP address for your network and a compatible subnet mask.

- If you have not already done so, install the **Bosch Video Client** program from the product CD.
- Start **Bosch Video Client**.
- Click  to start **Configuration Manager**. The system automatically searches the network for compatible units.
- When the VOT-320 is displayed in the list, the Configuration Wizard starts automatically. If not, click **Configuration Wizard...** on the **Tools** menu.
- Follow the instructions given in the **Configuration Wizard** window.

5.2 Testing the configuration



- Launch the Web browser and enter the IP address of the module as the URL (e.g. **http://192.168.0.116**) to check that it is properly connected to the network.
- Use the links at the top of the pages to navigate.



NOTICE!

Set the graphics card of the computer to 16-bit or 32-bit color depth. Otherwise the computer cannot display the video images.

Bosch Sicherheitssysteme GmbH

Robert-Bosch-Ring 5

85630 Grasbrunn

Germany

www.boschsecurity.com

© Bosch Sicherheitssysteme GmbH, 2012