



VM600

VISTA®

Security Products by Securitron

550 Vista Blvd. Sparks, NV 89434
775-355-5625 www.securitron.com/vista

Real value and reliability, at an economical price
Proven quality and convenience from the market leader
Versatility for use with commercial grade applications

Maglock

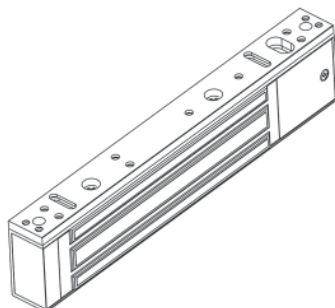
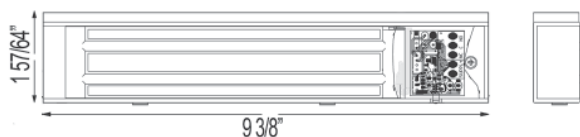
- Individually Tested for Holding Force
- Easy Mount Adjustable Bracket
- Instant Release (No Residual Magnetism)
- Optional Bond Sensor and Door Position Switch Available
- Wire Access Chamber with Plug-In Connectors
- Dual Voltage 12/24 VDC
- Brushed Aluminum Finish

FEATURES

Mechanical

SPECS

- Holding Force: 600 lbs [272 Kg]
- Voltage: 12 or 24 VDC (field selectable)
- Current Draw: 520mA at 12 VDC
260mA at 24 VDC
- 9 3/8" [238mm] x 1 57/64" [48mm] x
1 3/64" [27mm]



Specialty Mounting

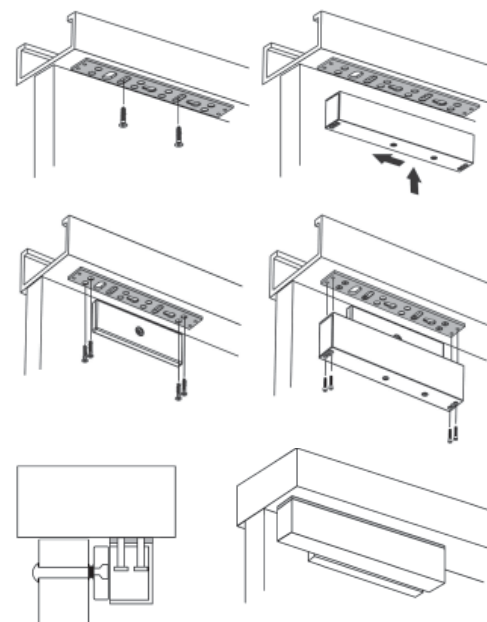
BRACKETS

- Aluminum Shim Bracket: ASB-VM600
- Glass Door Bracket: GDB-VM600
- Header Extension Bracket: HEB-VM600
- Stop Filler Plates: SFP-VM (1/4", 3/8", 1/2")
- Z Bracket Kit: Z-VM600

Warranty

- VistaCare - One year hassle-free
"NO FAULT"

Mounting with Standard Bracket



VM600 Series Electromagnetic Lock

How To Order VM600 Series

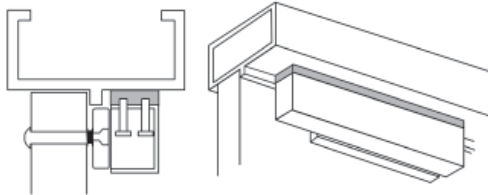
VISTA™ electromagnetic locks can be ordered through Securitron Customer Sales/Customer Service, using standard procedures for product orders.* For any questions, please call Customer Service at 1-775-355-5625.

VM600

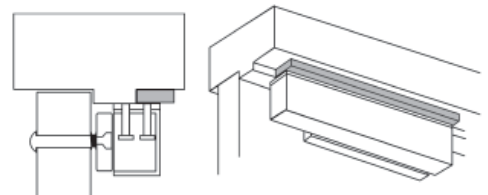
Model	-	Voltage	-	Description
VM600	-	12/24 VDC	-	600lb Maglock
VM600DB	-	12/24 VDC	-	600lb Maglock - Door Position Switch, Bond Sensor

BRACKETS

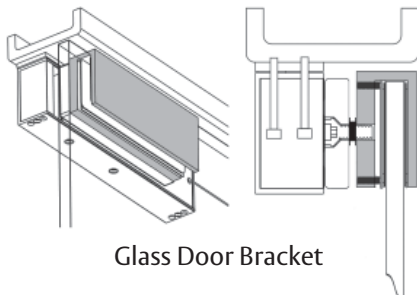
Model	-	Description
ASB-VM600	-	Aluminum Shim Bracket for VM600
GDB-VM600	-	Glass Door Bracket for VM600
HEB-VM600	-	Header Extension Bracket for VM600
SFP-VM	-	Stop Filler Plate for VM600/VM1200 (specify thickness - 1/4", 3/8" or 1/2" and finish - <i>Brushed Aluminum or Black</i>)
Z-VM600	-	Z Bracket Kit for VM600



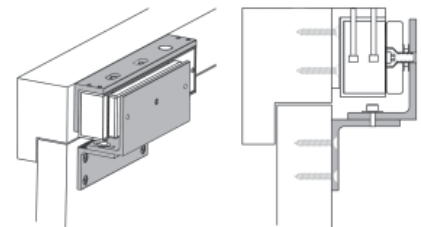
Aluminum Shim Bracket



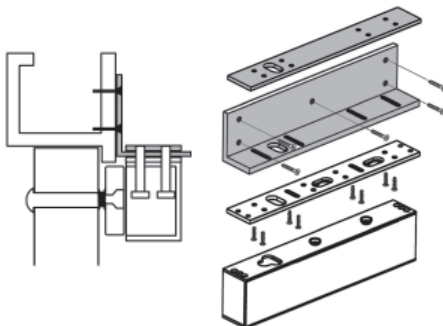
Stop Filler Plate



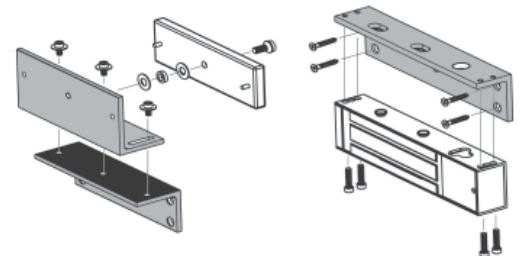
Glass Door Bracket



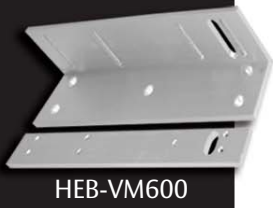
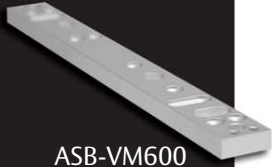
Z Bracket Kit



Header Extension Bracket



VISTA™
Security Products by Securitron



910-41010 Rev. D

ASSA ABLOY, the global leader in door opening solutions

* For complete Vista Maglock warranty information, please visit www.securitron.com/vista
* Vista Electric Strikes are available via HES at 1-800-626-7590

SECURITRON™
ASSA ABLOY