

# VM1290 Series Electromagnetic Lock



VM1290

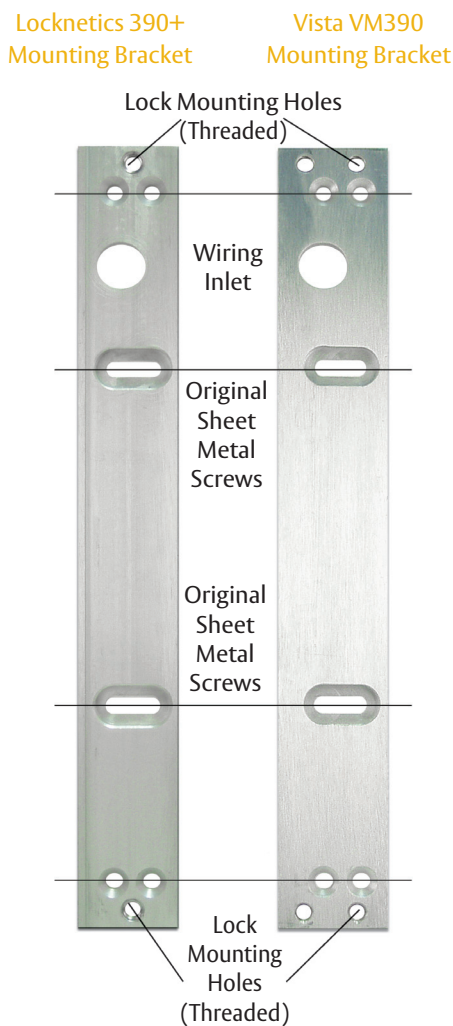
# VISTA®

Security Products by Securitron

10027 S. 51<sup>st</sup> Street, Ste 102 Phoenix, AZ 85044  
800.624.5625 [securitron.com/vista](http://securitron.com/vista)

## Direct retrofit for Locknetics 390+

The VM1290 is designed as a direct retrofit for the Locknetics 390+ maglock without any additional frame degradation. As illustrated below, all original mounting locations are identical using the specialized mounting bracket. As long as the integrity of the original mounting holes are maintained, no additional drilling is required.



### Maglock

#### FEATURES

- Individually Tested for Holding Force
- Easy Mount Adjustable Bracket
- Instant Release (No Residual Magnetism)
- Optional Bond Sensor and Door Position Switch Available
- Wire Access Chamber with Plug-In Connectors
- Dual Voltage 12/24 VDC
- Brushed Aluminum Finish

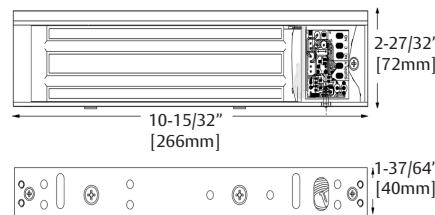
### Mechanical

#### SPECS

- Holding Force: 1200 lbs [544 Kg]
- Voltage: 12 or 24 VDC (field selectable)
- Current Draw: 520mA at 12 VDC  
260mA at 24 VDC
- 10 15/32" [266mm] x 2 27/32" [72mm]  
x 1 37/64" [40mm]

### Warranty

- VistaCare - One year hassle-free "NO FAULT"



#### VM1290

Model	-	Voltage	-	Description
VM1290	-	12/24 VDC	-	1200lb Maglock
VM1290DB	-	12/24 VDC	-	1200lb Maglock - Door Position Switch, Bond Sensor



910-41100 Rev. E

ASSA ABLOY, the global leader  
in door opening solutions

\* For complete Vista Maglock warranty  
information, please visit [securitron.com/vista](http://securitron.com/vista)  
\* Vista Electric Strikes are available via HES at 800.626.7590

