

AUTODOME Series Mounts and Accessories

www.boschsecurity.com



BOSCH

Invented for life



- ▶ 24 VAC, 120 VAC, and 230 VAC power supply boxes
- ▶ Pendant Wall, Corner, Mast, Roof, and Pipe mounts
- ▶ In-ceiling support kits for suspended ceilings and for IP54 certification
- ▶ Analog and IP Fiber Optic Communication Units
- ▶ Rugged polycarbonate and high-resolution acrylic bubble options

The AUTODOME Series cameras represent the latest advancements in video surveillance technology. The cameras ship fully assembled in a pendant or an in-ceiling housing. Bosch offers a host of mounts, power supplier boxes, and accessories so you can tailor your installation for a variety of applications and environments. These items are sold separately so you purchase only the items you need; saving you money and simplifying purchases.

System overview

Mounting Options and Support Kits

Bosch offers a series of mounting options and support kits to tailor your AUTODOME installation to various environments.

Pendant Mounts

The AUTODOME indoor/outdoor pendant housings can be connected to an arm, a roof, or to a pipe mount. Pendant arm mounts are available with a connected power supply box or as a separate arm with connected wiring. All pendant arm mounts can be connected to a corner or mast (pole) adapter, extending the installation options.

In addition to the arm mounts, Bosch offers a pipe mount and a roof parapet mount. The pipe mount allows an AUTODOME pendant housing to be attached to a 1-1/2 inch (NPS) pipe (user-supplied). The roof parapet mount is an aluminum pole that secures an AUTODOME pendant to a roof surface. In addition, accessories are available to secure the parapet mount to a flat roof surface.

In-ceiling Support Kits

AUTODOME in-ceiling housings do not require optional accessories when mounting to drywall ceilings, but support kits are available for specific installation needs.

For suspended or drop ceilings, Bosch offers a kit that provides the necessary support to secure the in-ceiling housing to a ceiling tile.

Bosch also offers a kit that offers IP54 ingress protection for in-ceiling installation.

Power Supplies

Bosch offers a variety of stand-alone power supply boxes that are available without a transformer (for 24 VAC power input) and with either a 120 VAC or a

230 VAC transformer. Each power supply box offers 100 W output and the power supply box enclosures are NEMA-rated.

Also available are a trim skirt to improve the aesthetics of the power supply box and a replacement power supply box cover.

Fiber Optic Kits

The VGA-FIBER-AN (multimode) is an analog, fiber optic conversion kit for use with 100 and 600 Series AUTODOMES. This module is a video transmitter/data receiver modules designed to be mounted directly into an AUTODOME power supply box.

The VG4-SFP SCKT is a unique media converter module for use with 700 and 800 Series AUTODOMES. This media converter is designed to accept a wide-range of 10/100 Mbps Small Form-factor Pluggable (SFP) modules for use with Multimode or Singlemode optical fiber with LC or SC connectors. The media converter module along with the SFP module is user-installed directly into the AUTODOME's power supply box to provide an integrated fiber optic solution.

Bubbles

Bosch offers a range of bubbles for in-ceiling and pendant housings.

AUTODOME impact-resistant rugged polycarbonate bubbles protect your camera from vandalism.

Designed to meet stringent strength standards without compromising optical clarity, rugged bubbles can withstand impacts equivalent to a 10 pound (4.5 kilograms) weight dropped from a height of 10 feet (3 meters).

AUTODOME low-impact, high-resolution acrylic bubbles offer enhanced image clarity.

Both the rugged polycarbonate and the high-resolution acrylic bubbles are available in clear or tinted versions. The clear bubble offers maximum sensitivity by allowing as much light through as possible. The tinted bubbles offer coyness by making it difficult to see the direction the camera is looking from the outside.

Cold Weather Accessory

The optional VG4-SHTR-XT extreme temperature kit allows an AUTODOME 600 outdoor pendant to operate in temperatures down to -60°C (-76°F), ensuring reliable operation in even the harshest environments.

Installation/configuration notes

AUTODOME Series cameras are available as fully-assembled pendant or in-ceiling units. These units are packaged without mounting hardware or accessories so that you can choose only the parts needed for your application and environment.

Pendant Mounts

Pendant housings must be mounted to an arm or to a pipe using one of the options below. Various mounting accessories are also available to extend these mounting options to a host of applications.

VG4-A-PA0	Arm mount with power supply box, no transformer
VG4-A-PA1	Arm mount with power supply box, 120 VAC transformer
VG4-A-PA2	Arm mount with power supply box, 230 VAC transformer
VGA-PEND-ARM	Arm mount with wiring, no power supply box
VG4-A-9543	Pipe mount for a 1-1/2 inch (NPS) pipe
VG4-A-9230	Roof mount with parapet and VG4-A-9543 pipe mount
VGA-ROOF-MOUNT	Roof mount with parapet only

Pendant Mount Accessories

Accessory	Description	For Use With
VGA-PEND-WPLATE	Mounting plate	VGA-PEND-ARM
VG4-A-9541	Mast (Pole) mount adapter	VG4-A-PA0 VG4-A-PA1 VG4-A-PA2 VGA-PEND-ARM
VG4-A-9542	Corner mount adapter	VG4-A-PA0 VG4-A-PA1 VG4-A-PA2 VGA-PEND-ARM
LTC 9230/01	Flat roof mount adapter	VG4-A-9230 VGA-ROOF-MOUNT

In-ceiling Support Kits

In-ceiling housings can be mounted to a drywall ceiling out of the box, but Bosch offers various kits to attach an in-ceiling housing to a suspended or to a drop ceiling. Kits are also available to add IP54 environmental protection to these housings.

Support Kit	Description	For Use With
VGA-IC-SP	Bracket for suspended or drop ceilings (AUTODOME 100/600 Series)	VG5-161-CT0 VG5-162-CT0 VG5-163-CT0 VG5-164-CT0 VG5-613-CCS VG5-613-CTS
VJR-A3-SP	Bracket for suspended or drop ceilings (AUTODOME 700/800 Series)	VG5-723-CCE2 VG5-713-CCE2 VG5-825-CCEV

VGA-IP54K-IC	Gasket kit for IP54 certification (AUTODOME 100/600 Series)	VG5-161-CTO VG5-162-CTO VG5-163-CTO VG5-164-CTO VG5-613-CCS VG5-613-CTS
VGA-IP54K-IC78	Gasket kit for IP54 certification (AUTODOME 700/800 Series)	VG5-723-CCE2 VG5-713-CCE2 VG5-825-CCEV

Power Supply Boxes

Bosch offers power supply boxes for all mounting options and power supply accessories to enhance the aesthetics of the boxes.

Power Supply	Description	For Use With
VG4-A-PSU0	No transformer (24 VAC input), 100 W	VGA-PEND-ARM VG4-A-9543 VG4-A-9230 VGA-ROOF-MOUNT
VG4-A-PSU1	120 VAC transformer, 100 W	
VG4-A-PSU2	230 VAC transformer, 100 W	

Power Supply Box Accessories

Accessory	Description	For Use With
VG4-A-TSKIRT	Trim skirt	VG4-A-PSU0 VG4-A-PSU1 VG4-A-PSU2
VGA-SBOX-COVER	Replacement power supply cover	

Fiber Optic Kits

The fiber optic kits extend the range that the AUTODOME camera can receive commands and transmit video and data. Both fiber optic kits are designed to fit inside an AUTODOME power supply with all necessary connections.

Kit	Description	For Use With
VGA-FIBER-AN	Analog Multimode Fiber Optic Kit	AUTODOME 100/600 Series
VG4-SFPSCKT	Ethernet Media Converter Kit	AUTODOME 700/800 Series

AUTODOME 600 Series Accessories

These accessories fit inside certain AUTODOME 600 Series housings and extend the AUTODOME’s installation and usage options.

Accessory	Description	For Use With
VG4-SHTR-XF	Extended temperature heater module	VG5-613-ECS VG5-614-ECS VG5-623-ECS VG5-624-ECS
VG4-MTRN-C	Alternative Protocol Communications Module	All AUTODOME 600 Series Housings

Bubbles

Bubble	Description	For Use With
In-ceiling		
VGA-BUBBLE-CCLR	Clear rugged	AUTODOME 100/600/700 Series
VGA-BUBBLE-CTIR	Tinted rugged	
Pendant		
VGA-BUBBLE-PCLR	Clear rugged	All AUTODOME Series pendant housings
VGA-BUBBLE-PTIR	Tinted rugged	
VGA-BUBBLE-PCLA	Clear high-resolution	
VGA-BUBBLE-PTIA	Tinted high-resolution	

Notes:

1. Rugged bubbles are made of impact-resistant polycarbonate.
2. High-resolution bubbles are made of low-impact acrylic.

Technical specifications

Pendant Mounts

Dimensions

Indoor Pendant Mounts¹ (W x H x D)

VG4-A-PA0 VG4-A-PA1 VG4-A-PA2	169.5 x 366.4 x 469.1 mm (6.67 x 14.43 x 18.47 in.)
VGA-PEND-ARM	169.5 x 366.4 x 460.1 mm (6.67 x 14.43 x 18.12 in.)

Outdoor Pendant Mounts¹ (W x H x D)

VG4-A-PA0 VG4-A-PA1 VG4-A-PA2	224.0 x 366.4 x 549.6 mm (8.82 x 14.43 x 21.64 in.)
VGA-PEND-ARM	224.0 x 366.4 x 477.6 mm (8.82 x 14.43 x 18.8 in.)

Pendant Mount Accessories

VGA-PEND-WPLATE (W x H)	169.5 x 216.4 mm (6.67 x 8.52 in.)
VG4-A-9541 (W x H x D)	175.0 x 183.0 x 58.9 mm (6.9 x 7.6 x 2.3 in.)
VG4-A-9542 (W x H x D)	219.1 x 236.0 x 216.4 mm (6.83 x 9.3 x 5.25 in.)

VGA-ROOF-MOUNT (W x H)	1,022.4 x 1,190.8 mm (40.25 x 46.88 in.)
LTC 9230/01 (W x H)	254.0 x 254.0 mm (10.0 x 10.0 in.)

1. Dimensions include the mount and the connected pendant housings.

Power Supplies

Model	Input	Output Rating	Input Fuses	Output Fuses	
				Camera	Heater
VG4-A-PA0 VG4-A-PSU0	24 VAC, 50/60 Hz	24 V @ 96 VA	5.0 A	2.0 A	3.15 A
VG4-A-PA1 VG4-A-PSU1	120 VAC, 50/60 Hz	24 V @ 96 VA	1.6 A	2.0 A	3.15 A
VG4-A-PA2 VG4-A-PSU2	230 VAC, 50/60 Hz	24 V @ 96 VA	0.8 A	2.0 A	3.15 A

Mechanical

Certifications	UL, CE, Plenum Rated
Dimensions (W x H x D), all models ²	170.0 x 216.4 x 105.0 mm (6.69 x 8.52 x 4.13 in.)
Construction Material	Cast Aluminum
Standard Color	White (RAL9003)
Standard Finish	Powder coated, sand finish

2. Dimensions for power supplies include the cover.

Environmental

Operating Temperature	-60°C to 50°C (-76°F to 122°F)
Humidity	0% to 100%, condensing
Environmental Protection	IP 66, IK 8 (IEC 62262)

Fiber Optic Kits

VGA-FIBER-AN	
Description	Multimode Fiber Optic Module
Compatible Receiver	LTC 4629 Series
Optical Fiber Compatibility	50/125 µm, 62.5/125 µm, low loss multimode glass fiber, rated for a minimum system bandwidth of 20 MHz
Max. Distance	4.0 km (2.5 miles)

Optical Budget	14 dB
Connector	One (1) ST connector
Wavelength (video/data)	850 nm / 1310 nm

VG4-SFPCKT

Description	Fiber Optic Ethernet Media Converter kit. Requires a small form-factor pluggable (SFP) module (sold separately).
Data Interface	Ethernet
Data Rate	10/100 Mbps IEEE 802.3 Compliant Full Duplex or Half Duplex Electrical Port Full Duplex Optical Port
Compatible Receiver	CNFE2MC
Installation	Installed inside a VG4-A-PA1, VG4-A-PA2, VG4-A-PSU1 or a VG4-A-PSU2 power supply box with supplied mounting hardware

SFP Modules

Description	Interchangeable modules available for use with MMF or SMF optical fiber.
Data Interface	Ethernet
Data Rate	10/100 Mbps IEEE 802.3 Compliant

Mechanical

Dimensions (W x H x D)	
• SFP-2 and SFP-3	13.5 x 8.5 x 55.5 mm (0.5 x 0.3 x 2.2 in.)
• SFP-23, SFP-24, SFP-25, SFP-26	13.5 x 8.5 x 63.8 mm (0.5 x 0.3 x 2.5 in.)
Weight (all SFP modules)	0.23 kg (.05 lb)

	Type	Connector	Wavelength (transmit/receive)	Max. Distance
SFP-2	MMF	Duplex LC	1310 nm / 1310 nm	2 km (1.2 miles)
SFP-3	SMF	Duplex LC	1310 nm / 1310 nm	20 km (12.4 miles)
SFP-2 3	SMF	Single SC	1310 nm / 1550 nm	60 km (37.3 miles)
SFP-2 4	SMF	Single SC	1550 nm / 1310 nm	60 km (37.3 miles)
SFP-2 5	MMF	Single SC	1310 nm / 1550 nm	2 km (1.2 miles)
SFP-2 6	MMF	Single SC	1550 nm / 1310 nm	2 km (1.2 miles)

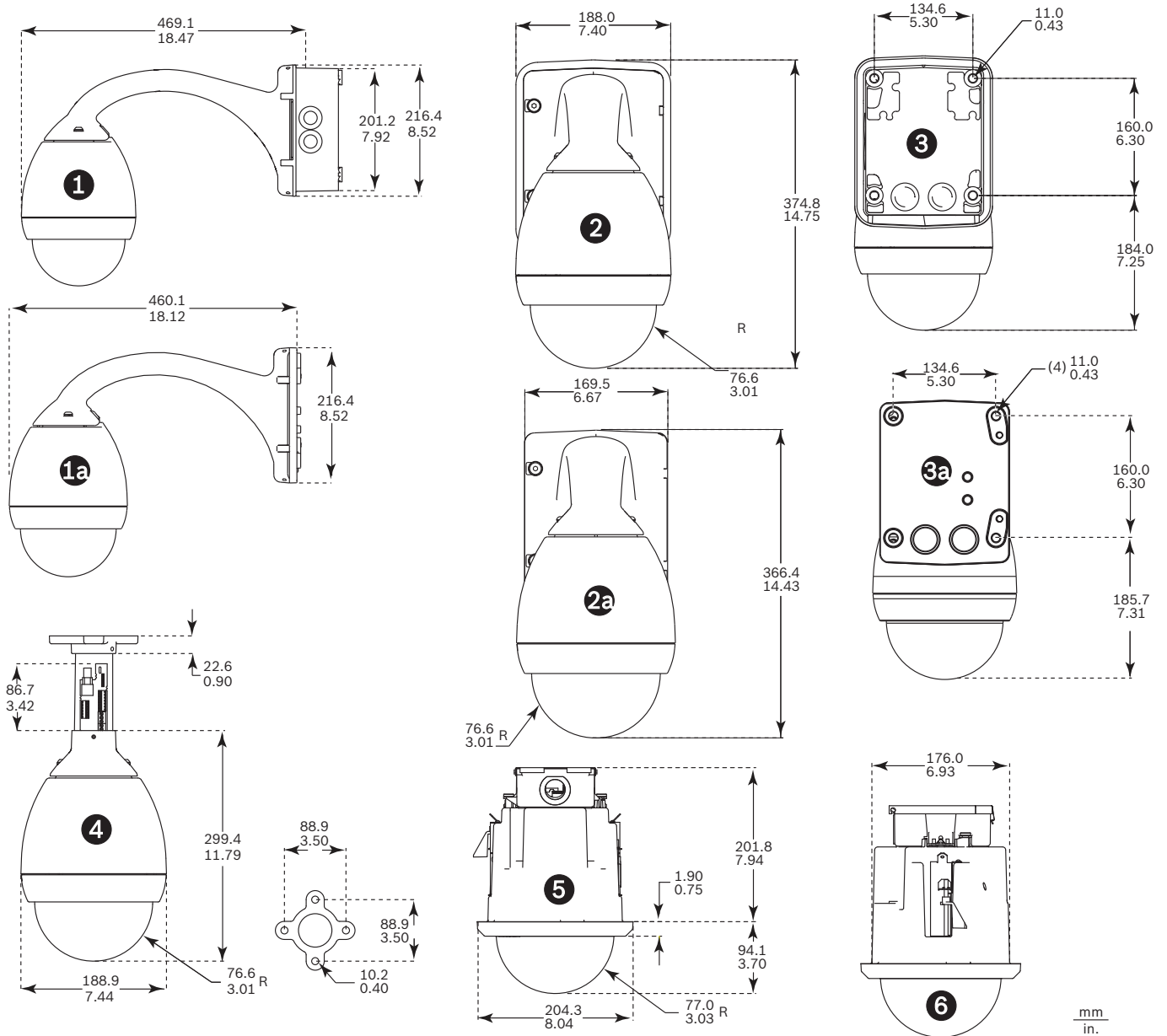
Fiber Compatibility

Optical Fiber Compatibility, MMF	50/125 μm MMF. For 50/125 μm fiber, subtract 4 dB from the specified optical budget value. Must meet or exceed fiber standard ITU-T G.651.
Optical Fiber Compatibility, SMF	8–10/125 μm SMF. Must meet or exceed fiber standard ITU-T G.652.
Optical Distance Specifications	Specified transmission distances are limited to the optical loss of the fiber and any additional loss introduced by connectors, splices, and patch panels. The modules are designed to operate over the entire optical loss budget range, so they do not require a minimum loss in order to operate.

Heating Module

VG4-SHTR-XT	Extended temperature heater module extends temperature range to -60°C (-76°F); for AUTODOME 600 Series Outdoor Pendants only
-------------	--

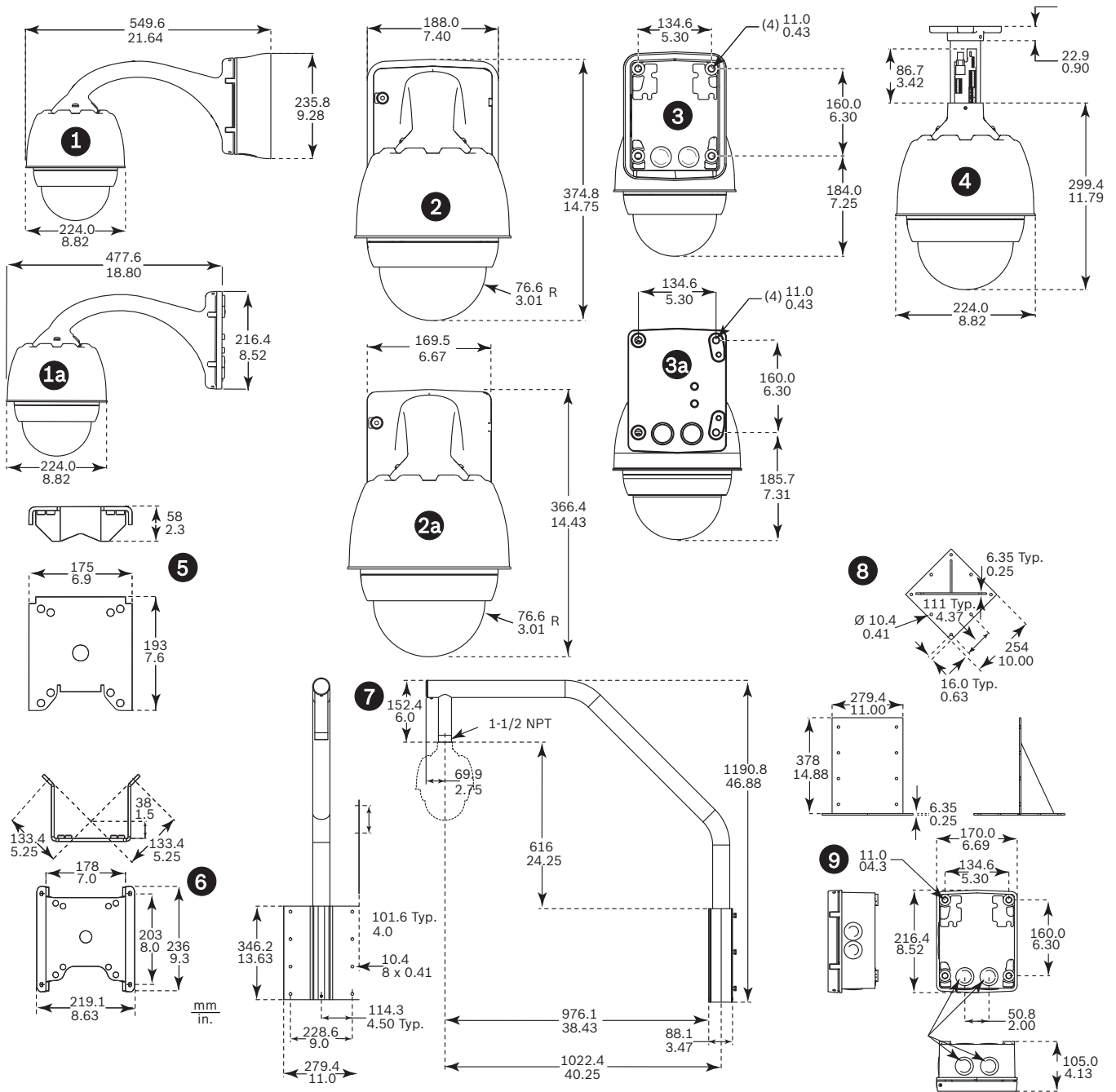
Dimensions: Indoor AUTODOMEs with Mounting Options



Indoor System Dimensions

Reference	Description
1	Wall Mount – Side with power supply
1a	Wall/Mast Mount – Side with VGA-PEND-WPLATE
2	Wall Mount – Front with power supply and trim skirt
2a	Wall Mount – Front with power supply
3	Wall Mount – Back with power supply and trim skirt
3a	Wall Mount – Back with power supply
4	Pipe Mount
5	In-ceiling Mount – Front
6	In-ceiling Mount – Side

Dimensions: Outdoor AUTODOMEs with Mounting Options and Power Supply Box



Outdoor System Dimensions

Reference Description

- 1 Wall Mount – Side with power supply and trim skirt
- 1a Wall/Mast Mount – Side with VGA-PEND-WPLATE
- 2 Wall Mount – Front with power supply and trim skirt
- 2a Wall Mount – Front with power supply
- 3 Wall Mount – Back with power supply and trim skirt
- 3a Wall Mount – Back with power supply
- 4 Pipe Mount

- 5 Mast (Pole) Mount Adapter
- 6 Corner Moun Adaptert
- 7 Roof Mount
- 8 Roof Mount Adapter
- 9 Power Supply for Pipe and Roof Mounts

Ordering information

VG4-A-PA0 Pendant Arm Mount

Pendant arm mount with power supply box for a AutoDome Series cameras, no transformer, white
Order number **VG4-A-PA0**

VG4-A-PA1 Pendant Arm Mount with 120 VAC Transformer

Pendant arm mount with power supply box for AutoDome Series cameras with a 120 VAC transformer, white
Order number **VG4-A-PA1**

VG4-A-PA2 Pendant Arm Mount with 230 VAC Transformer

Pendant arm mount with power supply box for AutoDome Series cameras with a 230 VAC transformer, white
Order number **VG4-A-PA2**

VGA-PEND-ARM Pendant Arm with Wiring

Compatible with an AutoDome Series pendant housing
Order number **VGA-PEND-ARM**

VGA-PEND-WPLATE Mounting Plate

Mounting plate for VGA-PEND-ARM, compatible with an AutoDome Series camera
Order number **VGA-PEND-WPLATE**

VGA-ROOF-MOUNT Roof Mount

Roof parapet mount, white
(VG4-A-9543 Pipe Mount Cap required. Available separately.)
Order number **VGA-ROOF-MOUNT**

LTC 9230/01 Flat Roof Mount Adapter

For mounting a unit in an upright position on a flat surface for roof parapet mount VGA-ROOF-MOUNT
Order number **LTC 9230/01**

VG4-A-9541 Pole Mount Adapter

Pole mount adapter for a for an AutoDome Series pendant arm or a VEI-30 or NEI-30 Dinion Infrared Imager, designed for poles with a diameter of 100-380 mm (4-15 in.), white
Order number **VG4-A-9541**

VG4-A-9542 Corner Mount Adapter

Corner mount adapter for an AutoDome Series pendant arm or a VEI-30 or NEI-30 Dinion Infrared Imager
Order number **VG4-A-9542**

VG4-A-9543 Pipe Mount

Pipe mount, white, for an AutoDome Series pendant housing
Order number **VG4-A-9543**

VGA-IP54K-IC IP54 In-ceiling Gasket Kit for AutoDome 100/600 Series

Gasket kit for AutoDome 100 and 600 Series AutoDome In-ceiling mounts required for IP54 environmental rating
Order number **VGA-IP54K-IC**

VGA-IP54K-IC78 IP54 In-ceiling Gasket Kit for AutoDome 700/800 Series

Gasket kit for AutoDome 700 and 800 Series In-ceiling mounts required for IP54 environmental rating
Order number **VGA-IP54K-IC78**

VGA-IC-SP In-ceiling Support Kit for Various Bosch Dome Cameras

Suspended ceiling support kit for various families of Bosch dome cameras
Order number **VGA-IC-SP**

VJR-A3-SP In-ceiling Support Kit for AutoDome 700/800 Series and AutoDome Junior HD

Suspended ceiling support kit for AutoDome 700 and 800 Series and AutoDome Junior HD In-ceiling mounts
Order number **VJR-A3-SP**

VG4-A-PSU0 24 VAC Power Supply Unit

24 VAC, 100 W, white, for an AutoDome Series camera
Order number **VG4-A-PSU0**

VG4-A-PSU1 120 VAC Power Supply Unit

120 VAC, 100 W, white, for an AutoDome Series camera
Order number **VG4-A-PSU1**

VG4-A-PSU2 230 VAC Power Supply Unit

230 VAC, 100 W, white, for an AutoDome Series camera
Order number **VG4-A-PSU2**

VGA-SBOX-COVER Cover for AutoDome Power Supply Boxes

Order number **VGA-SBOX-COVER**

VG4-SFIBER-MM Analog Multimode Fiber Optic Kit

Analog multimode video transmitter/data receiver fiber optic kit
Order number **VG4-SFIBER-MM**

VGA-FIBER-AN Analog Multimode Fiber Optic Kit

Analog multimode video transmitter/data receiver fiber optic kit
Order number **VGA-FIBER-AN**

VG4-SFPSCKT Fiber Optic Ethernet Media Converter Kit

Ethernet media converter video transmitter/data receiver fiber optic kit
Order number **VG4-SFPSCKT**

VG4-A-TSKIRT Trim Skirt for AutoDome Power Supply Boxes

Trim skirt for the following AutoDome Series power supply boxes:

VG4-A-PSU0, VG4-A-PSU1, and VG4-A-PSU2

Order number **VG4-A-TSKIRT**

VG4-SHTR-XT Heating Module

Extended temperature heater module extends temperature range to -60°C (-76°F) for AutoDome 100 and 600 Series Outdoor Pendants only

Order number **VG4-SHTR-XT**

VGA-BUBBLE-CCLR Clear Rugged Bubble for an In-ceiling Housing

Impact resistant polycarbonate bubble

Order number **VGA-BUBBLE-CCLR**

VGA-BUBBLE-CTIR Tinted Rugged Bubble for an In-ceiling Housing

Impact resistant polycarbonate bubble

Order number **VGA-BUBBLE-CTIR**

VGA-BUBBLE-CCLA Clear High-resolution Bubble for an In-ceiling Housing

Low-impact acrylic bubble

Order number **VGA-BUBBLE-CCLA**

VGA-BUBBLE-CTIA Tinted High-resolution Bubble for an In-ceiling Housing

Low-impact acrylic bubble

Order number **VGA-BUBBLE-CTIA**

VGA-BUBBLE-PCLR Clear Rugged Bubble for a Pendant Housing

Impact resistant polycarbonate bubble

Order number **VGA-BUBBLE-PCLR**

VGA-BUBBLE-PTIR Tinted Rugged Bubble for a Pendant Housing

Impact resistant polycarbonate bubble

Order number **VGA-BUBBLE-PTIR**

VGA-BUBBLE-PCLA Clear High-resolution Bubble for a Pendant Housing

Low-impact acrylic bubble

Order number **VGA-BUBBLE-PCLA**

VGA-BUBBLE-PTIA Tinted High-resolution Bubble for a Pendant Housing

Low-impact acrylic bubble

Order number **VGA-BUBBLE-PTIA**

VGA-BUBHD-CCLA Clear HD High-Resolution Acrylic Bubble for In-Ceiling AUTODOME cameras

Order number **VGA-BUBHD-CCLA**

VGA-BUBHD-CTIA Tinted HD High-Resolution Acrylic Bubble for In-Ceiling AUTODOME cameras

Order number **VGA-BUBHD-CTIA**

VG4-MTRN-C Alternative Protocol Communications Module

Supports the American Dynamics (AD) Manchester and the American Dynamics (AD) Sensormatic RS-422 protocols.

Order number **VG4-MTRN-C**

Represented by:

Americas:

Bosch Security Systems, Inc.
130 Perinton Parkway
Fairport, New York, 14450, USA
Phone: +1 800 289 0096
Fax: +1 585 223 9180
security.sales@us.bosch.com
www.boschsecurity.us

Europe, Middle East, Africa:

Bosch Security Systems B.V.
P.O. Box 80002
5617 BA Eindhoven, The Netherlands
Phone: + 31 40 2577 284
Fax: +31 40 2577 330
emea.securitysystems@bosch.com
www.boschsecurity.com

Asia-Pacific:

Robert Bosch (SEA) Pte Ltd, Security
Systems
11 Bishan Street 21
Singapore 573943
Phone: +65 6571 2808
Fax: +65 6571 2699
apr.securitysystems@bosch.com
www.boschsecurity.asia

China:

Bosch (Shanghai) Security Systems Ltd.
201 Building, No. 333 Fuquan Road
North IBP
Changning District, Shanghai
200335 China
Phone +86 21 22181111
Fax: +86 21 22182398
www.boschsecurity.com.cn

America Latina:

Robert Bosch Ltda Security Systems Division
Via Anhanguera, Km 98
CEP 13065-900
Campinas, Sao Paulo, Brazil
Phone: +55 19 2103 2860
Fax: +55 19 2103 2862
latam.boschsecurity@bosch.com
www.boschsecurity.com