

Outdoor Dome Cameras

www.boschsecurity.com



BOSCH

Invented for life



The VDX-240 Outdoor Dome range of cameras are a solution for most lighting environments.

The color version provides crisp clear images in applications with sufficient lighting.

The day/night version is designed for applications with poor lighting conditions. When insufficient lighting is available for a clear color image, the camera switches to monochrome mode with a higher light sensitivity.

For applications requiring extra lighting, the infrared version has 18 on-board IR LEDs providing 20 meters of active-infrared night vision. Intelligent IR control adjusts the light output depending on the scene content.

All models come in a robust, conduit compatible, all-weather housing (IP66 rated) and provide high-resolution (540TVL) images.

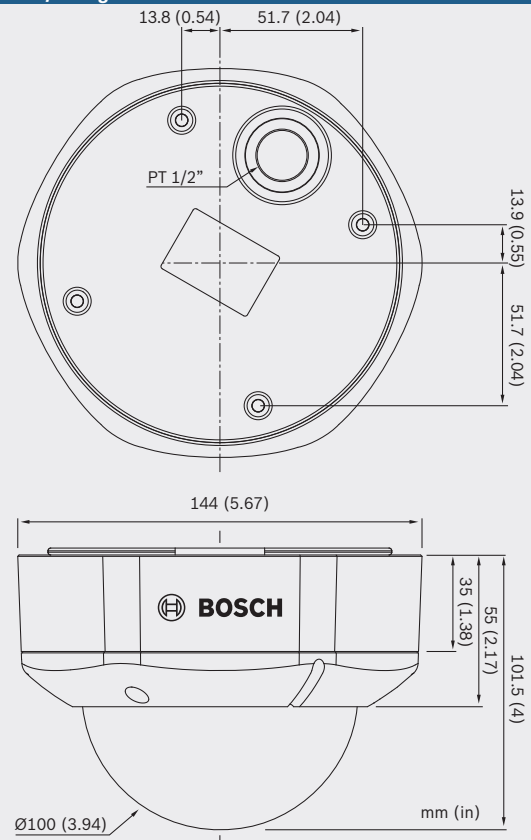
Features

- ▶ Three versions for all lighting environments
- ▶ Flexible viewing field
- ▶ Easy setup
- ▶ Secure all-weather installation

Technical Specifications

Video	
CCD Camera	1/3-inch High Sensitivity CCD
Effective pixels (HxV)	752X582 (PAL) 768x494 (NTSC)
Color Resolution	540 TVL (min.)
B/W Resolution	580 TVL (min.)
Electronics Iris	1/50 to 1/120,000 s (PAL) 1/60 to 1/120,000 s (NTSC)
Manual shutter	1/50 (1/60), 1/100 (1/120), 1/250, 1/500, 1/700, 1/1K, 1/1.6k, 1/2.5K, 1/5K, 1/7K 1/10K, 1/30K, 1/60K, 1/120K
Output Signal	1 VPP composite video, 75 ohm
Output connection	BNC connector
S/N Ratio	Greater than 50 dB
Gamma	0.35, 0.45 (default), 0.6, 0.75
Lens (VDC-240)	2.8 to 10 mm varifocal auto-iris
Lens (VDN-240)	2.8 to 10 mm varifocal auto-iris with mechanical D/N filter
Lens (VDI-240)	3.8 to 9.5 mm varifocal auto-iris with mechanical D/N filter
Sensitivity	0.05 lx (color), 0.005 lx (b/w), 0 lx (infrared on)
VDI-240	
LEDs	Intelligent 18-LED infrared array
Wavelength	850 nm
Mechanical	
Housing	Surface mount dome, vandal resistant
Gimbals	3D gimbal for easy installation
Construction	Robust aluminum
Finish	Off-white
Conduit Compatible	1/2-inch PT, top and side
Electrical	
Power Consumption	VDC-240: 3.6 W max. VDN-240: 3.6 W max. VDI-240: 6 W max.
Voltage	12 VDC or 24 VAC
Power Supply	Not included
Environmental	
Operational Temp.	-10 °C to +50 °C
Storage Temp.	-20 °C to +60 °C
Environment	IP66 certified
Certifications and Approvals	
FCC	ANSI C63.4-2009 FCC part 15 subpart B, Class A
UL	UL 60065, 7th Edition, 2007-12-11 CAN/CSA-C22.2 No. 60065-03, 1st Edition, 2006-04 + A1:2006
EC	EN 5502:2006, Class A EN 50130-4:1995+A1:1998+A2:2003
LVD	LVD 2006/95/EC EN60065:2002 + A1:2006 + A11:2008
IP rating	IP66 IEC 60529:2001 IEC 60529:2002

Installation/Configuration Notes



Ordering Information

VDC-240V03-1 Outdoor Color Dome Camera, PAL	VDC-240V03-1
VDC-240V03-2 Outdoor Color Dome Camera, NTSC	VDC-240V03-2
VDN-240V03-1 Outdoor D/N Dome Camera, PAL	VDN-240V03-1
VDN-240V03-2 Outdoor D/N Dome Camera, NTSC	VDN-240V03-2
VDI-240V03-1 Outdoor IR D/N Dome Camera, PAL	VDI-240V03-1
VDI-240V03-2 Outdoor IR D/N Dome Camera, NTSC	VDI-240V03-2

Americas:
Bosch Security Systems, Inc.
130 Perinton Parkway
Fairport, New York, 14450, USA
Phone: +1 800 289 0096
Fax: +1 585 223 9180
security.sales@us.bosch.com
www.boschsecurity.us

Europe, Middle East, Africa:
Bosch Security Systems B.V.
P.O. Box 80002
5600 JB Eindhoven, The Netherlands
Phone: +31 40 2577 284
Fax: +31 40 2577 330
emea.securitysystems@bosch.com
www.boschsecurity.com

Asia-Pacific:
Robert Bosch (SEA) Pte Ltd, Security Systems
11 Bishan Street 21
Singapore 573943
Phone: +65 6258 5511
Fax: +65 6571 2698
apr.securitysystems@bosch.com
www.boschsecurity.asia

Represented by