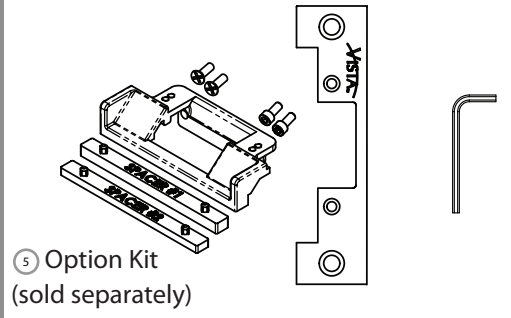
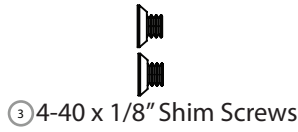
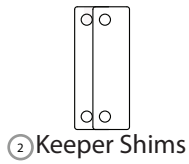
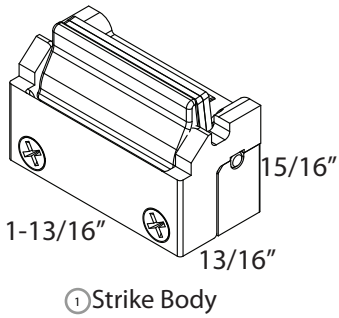


Product Components



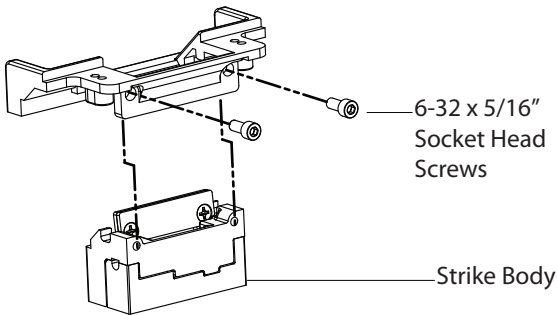
Strike Installation

1. If this is a new installation, consult pages 2-3 for the proper template for your option.

2. If you are replacing another manufacturer's electric strike, first determine the manufacturer and model number to be replaced. Using the chart on page 4, choose the appropriate Option Kit and spacer to be used with the new install and proceed to step 3.

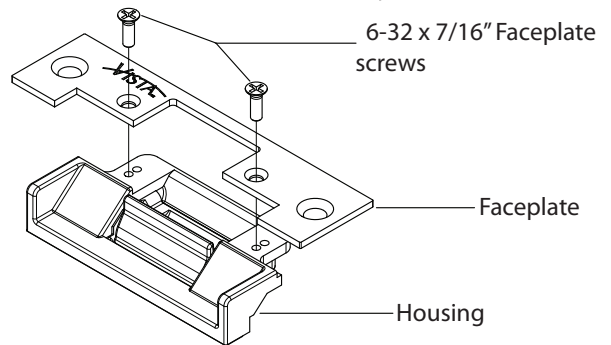
Faceplate and Housing Assembly

3. Attach Electric Strike body to Housing as illustrated below using the 6-32 x 5/16" socket head screws and hex key packaged with the Option Kit.



4. If using Options 1-4, attach Faceplate to Housing as illustrated below using the 6-32 x 7/16" flat-head screws provided with the Option Kit.

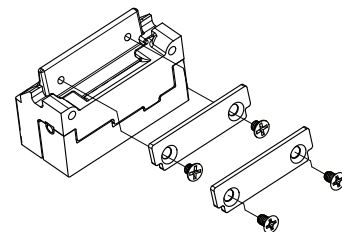
Note: A second set of mounting holes is provided in the Housing for additional Forward Horizontal Adjustment.



Complete Installation

5. Install Electric Strike assembly into frame to test latchbolt interaction.

6. If additional horizontal adjustment is needed, 1 or 2 keeper shims can be added as illustrated below. If adding a single shim use the 4-40 x 1/8" screws, or if adding both shims, the longer 4-40 x 3/16" screws should be used.



7. Remove Electric Strike from frame and connect power.

8. Re-install the electric strike into jamb cutout using the 12-24 flat-head screws provided in the Option Kit to complete installation.