



3008 SERIES MAGNETIC CONTACTS

Recessed "Shorty" Roller Plunger

Model number: 3008



- **New, improved design**
- **3/4" housing is half the length of convenient roller plungers**
- **Drill only one hole for installation**
- **Magnet and reed are housed in same unit**
- **Ideal for prewire installations or as a replacement contact**

The Sentrol 3008 "Shorty" roller plunger contact is specially designed for use in security applications where size is a limiting factor. The $\frac{3}{4}$ " housing makes the 3008 the perfect recessed contact for door jambs with restricted space.

Unlike ball rollers, Sentrol's roller plunger wheel is designed to operate with a smaller surface area in contact with the door's jambs. This reduces the likelihood that dirt and other debris will clog the mechanism. The new tapered wheel allows for more flexibility during installations.

continued

Sentrol 3008 Series

Applications

Use to protect a variety of doors and windows. Can also be used to protect high-value objects on display, such as antiques, rare books or works of art, where the object can be displayed while resting on the recessed contact.

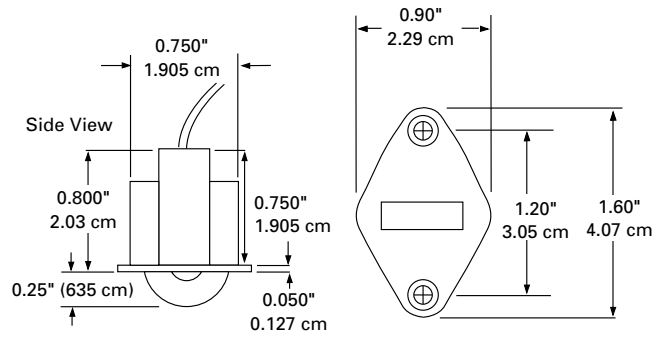
Architects and Engineering Specifications

The 3008 recessed magnetic contact measures 3/4" deep x 3/4" dia. The contact housing is made of flame-retardant ABS plastic. The reed switch is protected and held in place by Sentrol's exclusive polyurethane potting material. Roller travel is 1/4" with a minimum of 1/16" movement to activate the reed switch.

Specifications:

Form A

Voltage 100 V AC/DC max.
 Current 0.5 A max.
 Power 7.5 W max.



Note: In order to comply with UL installations, the contact should not be used on exterior doors that open outward.

Ordering Information

Model Number	Loop Type	Electrical Configuration	Hole Required	Lead Type	Listing
3008	Closed	N.O.	3/4" Dia. x 3/4" Deep	12" #22 wire	UL



CORPORATE HEADQUARTERS
 12345 SW Leveton Dr., Tualatin, OR 97062
 Tel.: 503.692.4052 Fax: 503.691.7566
<http://www.sentrol.com>
U.S. & Canada: 800.547.2556
Technical Service: 800.648.7424
FaxBack: 800.483.2495

Sentrol reserves the right to change specifications without notice.

©2000 Sentrol

C-1851-FLG-0495
 Printed on Recycled Paper