

UPA Power Supplies/Transformers

www.boschsecurity.com



BOSCH
Invented for life



- ▶ Provides efficient, constant power for CCD and MegaPixel cameras, keyboards and other low power usage products
- ▶ Models are exceptionally energy efficient
- ▶ Meet or exceed International Energy Efficiency Level IV requirements
- ▶ 24 VAC and 12 VDC secondary output models
- ▶ Screw terminals for ease of installation on some models

The Bosch UPA Series of Power Supplies is designed specifically for the continual use demands of professional surveillance products. While UPA models are used primarily with security cameras, their small size and high energy efficiency rating also make them ideal for powering a wide range of other low power security products, including many Allegiant® system accessories and control devices.

The UPA 60 Hz models are designed specifically to meet the strict efficiency standards and laws being adopted in the United States. These efficient power supplies meet or exceed the International Energy Efficiency Level IV requirements.

Certifications and approvals

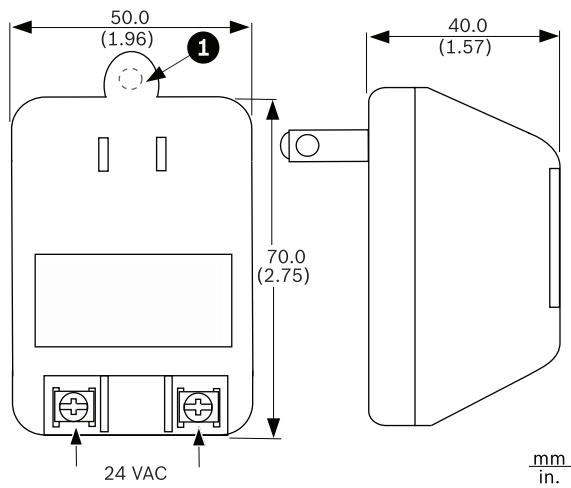
Electromagnetic Compatibility (EMC)	Complies with FCC Part 15, ICES-003, and CE regulations
Product Safety	Complies with CE regulations, UL, CSA, EN, and IEC standards
Energy Efficiency	Meets Energy Efficiency Level IV

Technical specifications

Model No.	Rated Input	Rated Output
UPA-2410-60	120 VAC,	24 VAC,

	60 Hz	60 Hz, 10 VA
UPA-2430-60	120 VAC, 60 Hz	24 VAC, 1.25 A, 30 VA
UPA-12300-60	120 VAC, 60 Hz	12 VDC, 300 mA
TC1382	24 VAC, 50/60 Hz	24 VAC, 50/60 Hz, 7 VA
UPA-2420-50	220-240 V, 50 Hz	24 V, 20 VA
UPA-2450-60	120 VAC, 60 Hz	24 VAC, 60 Hz, 50 VA
UPA-2450-50	230 VAC, 50 Hz	24 VAC, 50 VA
UPA-1220-60	100-240 VAC, 50/60 Hz	12 VDC, 1A, regulated
UPA-1220-50	100-240 VAC, 50/60 Hz	12 VDC, 1A, regulated
UPA-1509-60	120 VAC, 60 Hz	15 VDC, 600 mA
UPA-1509-50	220-240 VAC, 50/60 Hz	15 VDC, 600 mA

UPA-2410-60



UPA-2410-60 Power Supply

1 Legacy mounting tab

Electrical

Rated Input	120 VAC, 60 Hz
Rated Output	24 VAC, 60 Hz, 10 VA

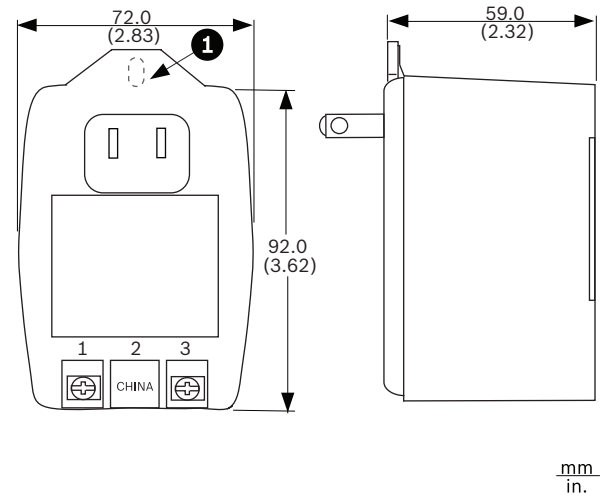
Mechanical

Input Connectors	2-prong, North American standard (non-polarized)
Output Connectors	Two (2) screw terminals
Construction/Finish	Black plastic case
Dimensions (W x D x H)	50 x 40 x 70 mm (1.96 x 1.57 x 2.75 in.)
Weight	0.25 kg (0.56 lb)
Recommended Use	24 VAC compact CCD cameras

Environmental

Operating Temperature	-10°C to 40°C (14°F to 104°F)
Storage Temperature	-30°C to 75°C (-22°F to 167°F)
Humidity	30% to 85% relative

UPA-2430-60



UPA-2430-60 Power Supply

1 Legacy mounting tab

Electrical

Rated Input	120 VAC, 60 Hz
Rated Output	24 VAC, 1.25 A, 30 VA

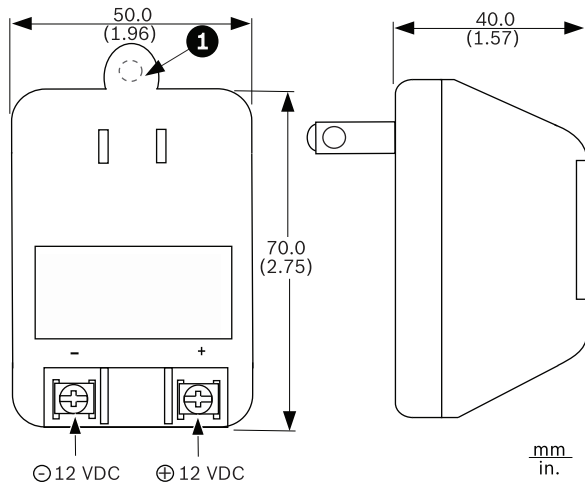
Mechanical

Input Connectors	2-prong, North American standard (non-polarized)
Output Connectors	Two (2) screw terminals
Construction/Finish	Black plastic case
Dimensions (W x D x H)	66.5 x 56.5 x 91.5 mm (2.62 x 2.22 x 3.60 in.)
Weight	0.58 kg (1.28 lb)
Recommended Use	Medium power box cameras

Environmental

Operating Temperature	-10°C to 40°C (14°F to 104°F)
Storage Temperature	-30°C to 80°C (-22°F to 176°F)
Humidity	30% to 85% relative

UPA-12300-60



UPA-12300-60 Power Supply

1 Legacy mounting tab

Electrical

Rated Input	120 VAC, 60 Hz
Rated Output	12 VDC, 300 mA

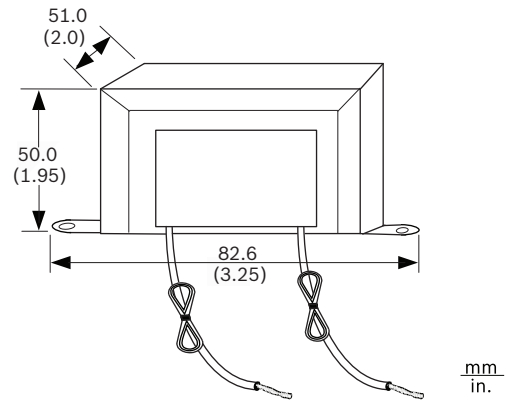
Mechanical

Input Connectors	2-prong, North American standard (non-polarized)
Output Connectors	Two (2) screw terminals
Construction/Finish	Black plastic case
Dimensions (W x D x H)	50 x 40 x 70 mm (1.96 x 1.57 x 2.75 in.)
Weight	0.20 kg (0.44 lb)
Recommended Use	Bosch Flexidome camera series (low power models only – no heater, no IP)

Environmental

Operating Temperature	-10°C to 40°C (14°F to 104°F)
Storage Temperature	-30°C to 75°C (-22°F to 167°F)
Humidity	30% to 85% relative

TC1382 Isolation Transformer



TC1382 Isolation Transformer

Electrical

Rated Input	24 VAC, 50/60 Hz
Rated Output	24 VAC, 50/60 Hz, 7 VA

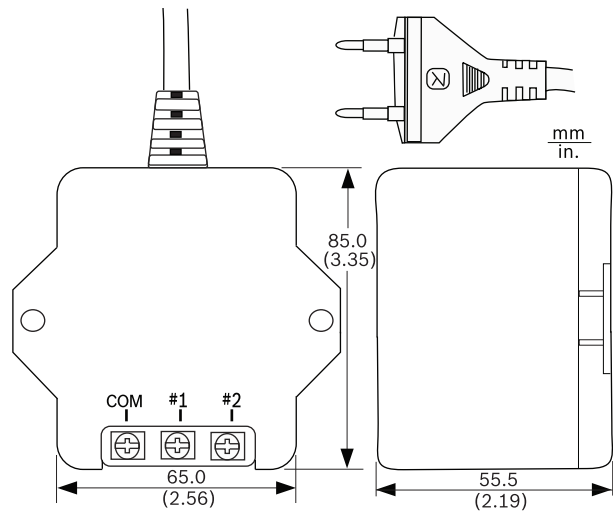
Mechanical

Input Connectors	Black wire leads, 203 mm (8 in.)
Output Connectors	Brown wire leads, 203 mm (8 in.)
Construction/Finish	Uncased
Dimensions (W x D x H)	82.6 x 51 x 50 mm (3.25 x 2 x 1.95 in.)
Weight	0.45 kg (1 lb)
Recommended Use	24 VAC isolation of low powered box cameras

Environmental

Operating Temperature	-10°C to 40°C (14°F to 104°F)
Storage Temperature	-30°C to 80°C (-22°F to 176°F)
Humidity	30% to 85% relative

UPA-2420-50



UPA-2420-50 Power Supply

Electrical

Rated Input	220-240 V, 50 Hz
Rated Output	24 V, 20 VA

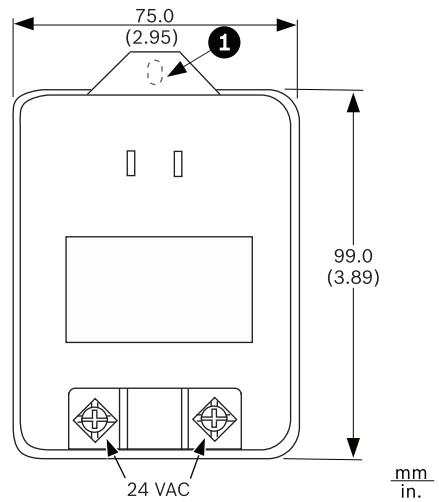
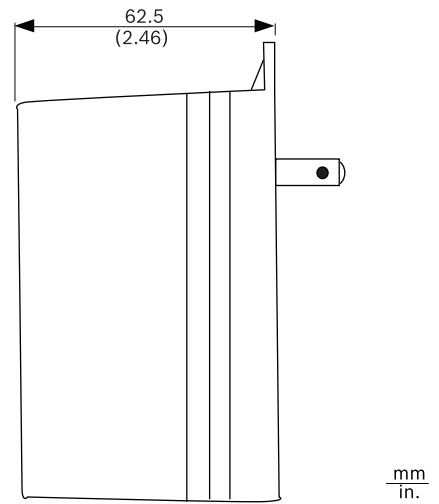
Mechanical

Input Connectors	2-prong, European Europlug standard (4 mm / 19 mm)
Output Connectors	Three (3) screw terminals
Construction/Finish	Black plastic case
Dimensions (W x D x H)	65.0 x 55.5 x 85.0 mm (2.56 x 2.19 x 3.35 in.)
Weight	0.78 kg (1.72 lb)
Recommended Use	Medium power box cameras

Environmental

Operating Temperature	-10°C to 40°C (14°F to 104°F)
Storage Temperature	-30°C to 80°C (-22°F to 176°F)
Humidity	30% to 85% relative

UPA-2450-60



UPA-2450-60 Power Supply

1 Legacy mounting tab

Electrical

Rated Input	120 VAC, 60 Hz
Rated Output	24 VAC, 50 VA

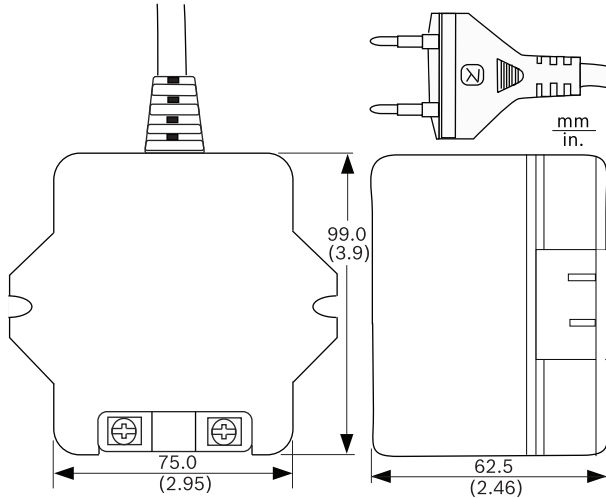
Mechanical

Input Connectors	2-prong, North American standard (non-polarized)
Output Connectors	Two (2) screw terminals
Construction/Finish	Black plastic case
Dimensions (W x D x H)	75.0 x 62.5 x 99.0 mm (2.95 x 2.46 x 3.89 in.)
Weight	0.84 kg (1.86 lb)
Recommended Use	Bosch KBE Series pre-package cameras

Environmental

Operating Temperature	-10°C to 40°C (14°F to 104°F)
Storage Temperature	-30°C to 80°C (-22°F to 176°F)
Humidity	30% to 85% relative

UPA-2450-50



UPA-2450-50 Power Supply

Electrical

Rated Input	230 VAC, 50 Hz
Rated Output	24 VAC, 50 VA

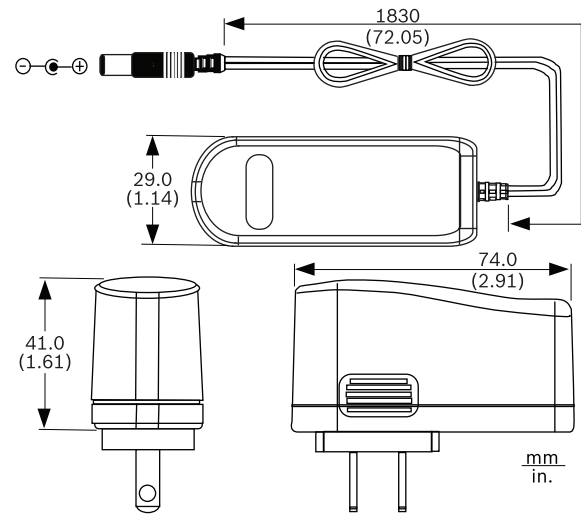
Mechanical

Input Connectors	2-prong, European Europlug standard (4 mm / 19 mm)
Output Connectors	Two (2) screw terminals
Construction/Finish	Black plastic case
Dimensions (W x D x H)	75 x 62.5 x 99.0 mm (2.95 x 2.46 x 3.9 in.)
Weight	1.16 kg (2.56 lb)
Recommended Use	Bosch KBE Series pre-package camera

Environmental

Operating Temperature	-10°C to 40°C (14°F to 104°F)
Storage Temperature	-30°C to 75°C (-22°F to 167°F)
Humidity	30% to 85% relative

UPA-1220-60



UPA-1220-60 Power Supply

Electrical

Rated Input	100-240 VAC, 50/60 Hz
Rated Output	12 VDC, 1.0 A, regulated

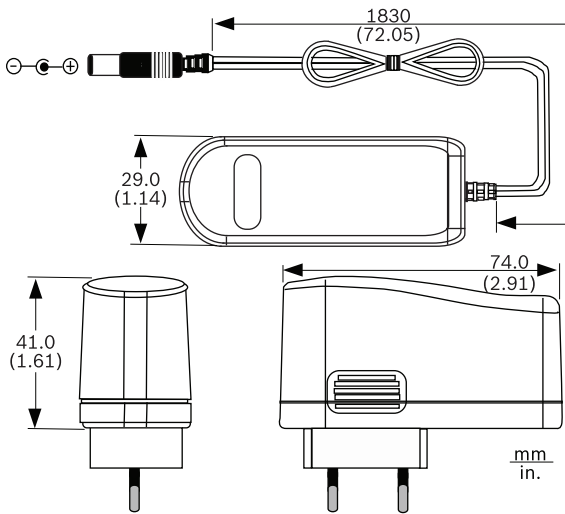
Mechanical

Input Connectors	2-prong, North American standard (non-polarized)
Output Connectors	2.1 x 5.5 x 10.0 mm plug (0.8 x 0.22 x 0.4 in.)
Construction/Finish	Black plastic case
Dimensions (W x D x H)	74.0 x 29.0 x 41.0 mm (2.91 x 1.14 x 1.61 in.)
Weight	0.12 kg (0.26 lb)
Recommended Use	Bosch megapixel cameras

Environmental

Operating Temperature	-10°C to 40°C (14°F to 104°F)
Storage Temperature	-30°C to 80°C (-22°F to 176°F)
Humidity	30% to 85% relative

UPA-1220-50



UPA-1220-50 Power Supply

Electrical

Rated Input	100-240 VAC, 50/60 Hz
Rated Output	12 VDC, 1.0 A, regulated

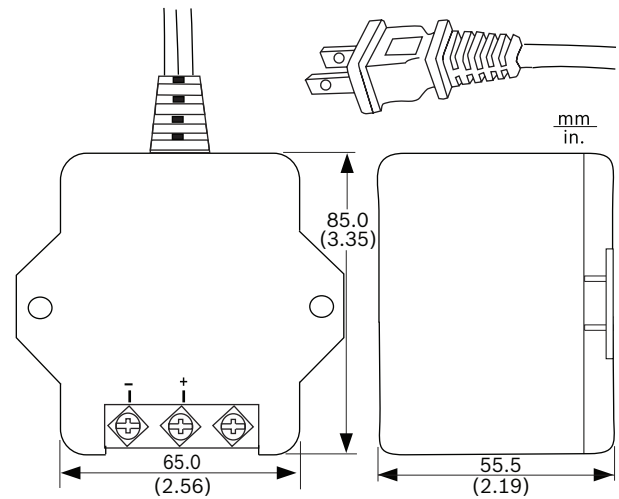
Mechanical

Input Connectors	2-prong, European Europlug standard (4 mm / 19 mm)
Output Connectors	2.1 x 5.5 x 10.0 mm plug (0.8 x 0.22 x 0.4 in.)
Construction/Finish	Black plastic case
Dimensions (W x D x H)	74.0 x 29.0 x 41.0 mm (2.91 x 1.14 x 1.61 in.)
Weight	0.12 kg (0.26 lb)
Recommended Use	Bosch megapixel cameras

Environmental

Operating Temperature	-10°C to 40°C (14°F to 104°F)
Storage Temperature	-30°C to 80°C (-22°F to 176°F)
Humidity	30% to 85% relative

UPA-1509-60



UPA-1509-60 Power Supply

Electrical

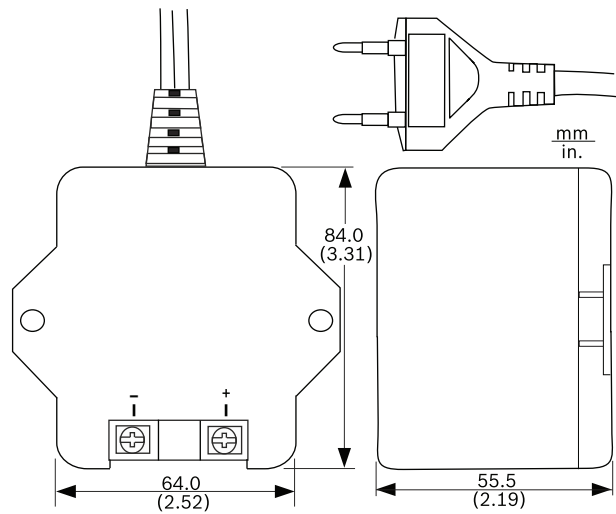
Rated Input	120 VAC, 60 Hz
Rated Output	15 VDC, 600 mA

Mechanical

Input Connectors	2-prong, North American standard (non-polarized)
Output Connectors	Three (3) screw terminals
Construction/Finish	Black plastic case
Dimensions (W x D x H)	64.7 x 53.8 x 84.7 mm (2.55 x 2.12 x 3.33 in.)
Weight	0.66 kg (1.46 lb)
Recommended Use	Bosch IntuiKey Series keyboards, LTC 8786 Series converters, LTC 8782 Series translators, LTC 8557 Series extension kits

Environmental

Operating Temperature	-10°C to 40°C (14°F to 104°F)
Storage Temperature	-30°C to 70°C (-22°F to 158°F)
Humidity	35% to 85% relative

UPA-1509-50

UPA-1509-50 Power Supply

Electrical

Rated Input	220-240 VAC, 50/60 Hz
Rated Output	15 VDC, 600 mA

Mechanical

Input Connectors	2-prong, European Europlug standard (4 mm / 19 mm)
Output Connectors	Two (2) screw terminals
Construction/Finish	Black plastic case
Dimensions (W x D x H)	64.7 x 53.8 x 84.7 mm (2.55 x 2.12 x 3.33 in.)
Weight	0.66 kg (1.46 lb)
Recommended Use	Bosch IntuiKey Series keyboards, LTC 8786 Series converters, LTC 8782 Series translators, LTC 8557 Series extension kits

Environmental

Operating Temperature	-10°C to 40°C (14°F to 104°F)
Storage Temperature	-30°C to 80°C (-22°F to 176°F)
Humidity	30% to 85% relative

Ordering information**UPA-2410-60 Power Supply**

120 VAC, 60 Hz, 24 VAC, 10 VA Out
Order number **UPA-2410-60**

UPA-12300-60 Power Supply

120 VAC, 60 Hz, 12 VDC, 300 mA Out
Order number **UPA-12300-60**

UPA-2450-60 Power Supply, 120 V, 60 Hz

Indoor, 120 VAC, 60 Hz In; 24 VAC, 50 VA Out
Order number **UPA-2450-60**

UPA-1220-60 Power Supply

120 VAC, 60 Hz, 12 VDC, 1 A Out, regulated
Order number **UPA-1220-60**

UPA-1220-50 Power Supply

220 VAC, 50 Hz, 12 VDC, 1 A Out, regulated
Order number **UPA-1220-50**

UPA-2430-60 Power Supply

120 VAC, 60 Hz, 24 VAC, 30 VA Out
Order number **UPA-2430-60**

UPA-1509-50 Power Supply

220 VAC, 50 Hz, 15 VDC, 9 VA Out
Order number **UPA-1509-50**

UPA-1509-60 Power Supply

120 VAC, 60 Hz, 15 VDC, 9 VA Out
Order number **UPA-1509-60**

UPA-2450-50 Power Supply, 220 V, 50 Hz

Indoor, 220 VAC, 50 Hz In; 24 VAC, 50 VA Out
Order number **UPA-2450-50**

UPA-2420-50 Power Supply

220 VAC, 50 Hz, 24 VAC, 20 VA Out
Order number **UPA-2420-50**

UPA-1509-10 Power Supply

24VAC, 50/60Hz, 15VDC, 9VA Out
Order number **UPA-1509-10**

TC1382 Isolation Transformer

24 VAC, 7 VA
Order number **TC1382**

Represented by:

Americas:

Bosch Security Systems, Inc.
130 Perinton Parkway
Fairport, New York, 14450, USA
Phone: +1 800 289 0096
Fax: +1 585 223 9180
security.sales@us.bosch.com
www.boschsecurity.us

Europe, Middle East, Africa:

Bosch Security Systems B.V.
P.O. Box 80002
5617 BA Eindhoven, The Netherlands
Phone: + 31 40 2577 284
Fax: +31 40 2577 330
emea.securitysystems@bosch.com
www.boschsecurity.com

Asia-Pacific:

Robert Bosch (SEA) Pte Ltd, Security
Systems
11 Bishan Street 21
Singapore 573943
Phone: +65 6571 2808
Fax: +65 6571 2699
apr.securitysystems@bosch.com
www.boschsecurity.asia

China:

Bosch (Shanghai) Security Systems Ltd.
201 Building, No. 333 Fuquan Road
North IBP
Changning District, Shanghai
200335 China
Phone +86 21 22181111
Fax: +86 21 22182398
www.boschsecurity.com.cn

America Latina:

Robert Bosch Ltda Security Systems Division
Via Anhanguera, Km 98
CEP 13065-900
Campinas, Sao Paulo, Brazil
Phone: +55 19 2103 2860
Fax: +55 19 2103 2862
latam.boschsecurity@bosch.com
www.boschsecurity.com