

# BATTERY OPERATED FLAME SENSOR

TX-124R

**HIGH SENSITIVITY FOR OUTDOOR USE**



***OUTDOOR FLAME SENSOR FOR WIRELESS SYSTEM***  
***WIRES ARE NO MORE NECESSARY. YOU CAN CUT SUBSTANTIAL COST FOR INSTALLATION.***  
***HI SENSITIVE FLAME SENSOR WITH LOW CURRENT DRAW PLAYS CRUCIAL ROLE***  
***FOR WIRELESS FIRE-WATCHING SYSTEMS.***

### GENERAL DESCRIPTION

TX-124R detects ultraviolet rays contained in flames and activates an external output. It is compatible with most of major wireless transmitters powered by DC3V battery. The weather proof construction of the housing allows for use outdoors.

### VARIOUS SENSITIVITY LEVELS SELECTABLE

TX-124R has 2 sensitivity setting (H or L) and 4 detection timer (1, 6, 15 or 30 sec). A combination of the two parameters provides 8 sensitivity levels which enables the sensor to fit with various environments and conditions.

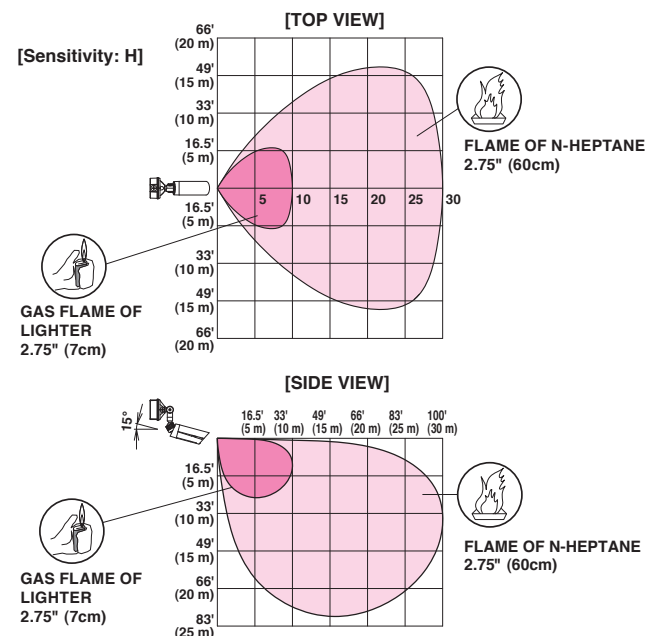
### HIGH SENSITIVITY

TX-124R detects a flame of 60cm(2'75") from 30m(66') away.

### MAJOR FUNCTIONS

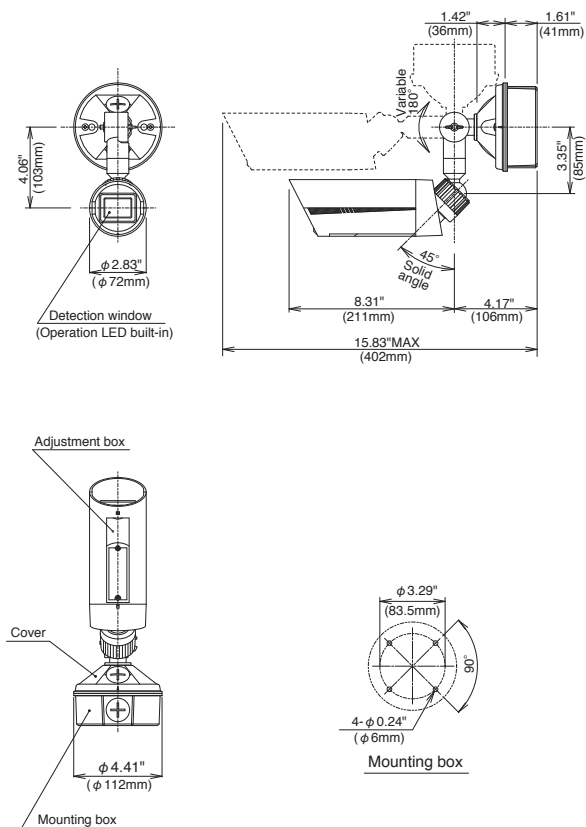
- Operation LED (can be disabled by DIP switch)
- Battery holder for 2 x CR-123A
- Area masking sheet

### 【DETECTION AREA】



# FLAME SENSOR

## EXTERNAL DIMENSIONS (Unit : inch(mm))



## SPECIFICATIONS

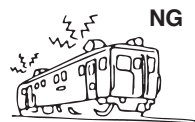
Product Name	BATTERY OPERATED FLAME SENSOR	
Model	TX-124R	
Detection System	Ultraviolet rays detection (Detected wave length: 185 to 260nm)	
Detection Area	Distance	33ft. (10 m) : (Gas Flame of Lighter in front of sensor: approx. : 2.75" (7cm)) 100ft. (30 m): (Flame of N-heptane on fire plate 15cm x 15cm: approx. : 23.62" (60cm)) *The flame size is rough.
	Angle	Vertical: approx. 75° (upward: 15°, downward: approx. 60°) Horizontal: approx. 100°
	Adjustment range	Vertical: downward 90° (horizontal-vertical) Horizontal: 180°
Sensitivity Adjustment	Sensitivity	H (100%), L (50%) [selectable by switch]
	Detection timer	1 sec, 6 sec, 15 sec, 30 sec [selectable by switch]
Supply Voltage	(Red/Black wires) DC3V (CR-123A)	
Current Consumption	Standby: 55µA Max, Detection: 1mA Max	
Detection output	(Blue/White wires) Solid State Switch N.C 3VDC · 0.01A Max Output when detecting Ultraviolet, Real time + delay time 2 sec	
Operation LED	Detection: Red LED Real time + delay time 2 sec	
Ambient temperature	-4°F to +122°F (-20°C to 50°C)	
Installation	Indoor, Outdoor	
Weight	approx. 17.9 oz (510g)	
Appearance	<ul style="list-style-type: none"> <li>• Sensor Part: PC resin (White)</li> <li>• Back box: AES resin (White)</li> </ul>	
Optional	<ul style="list-style-type: none"> <li>• Tapping Screw <math>\phi</math> 6 x 30 (SUS): 4pcs</li> <li>• Battery holder (2 x CR-123A): 1pc</li> <li>• Area mask seal: 1pc</li> </ul>	

※ The specifications are subject to change without notice.

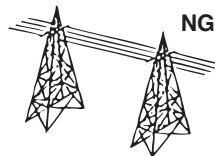
### WARNING !

This product may detect other ultraviolet rays other than flames due to the high sensitivity of ultraviolet ray detection. Read the instruction manual before installation and follow the proper usage.

- Do not instal the unit near railways. Sparks from pantographs may cause false detection.



- Do not instal the unit near high voltage power lines. Sparks from the pylons may cause false detection.



- Sparks from areas near by where welding is being performed may cause false detection.



**Please Note :** This sensor is designed to detect flame and to initiate an alarm; it is not a life saving device. TAKEX is not responsible for damage, injury or losses caused by accident, theft, Acts of God (including inductive surge by lighting), abuse, misuse, abnormal usage, faulty installation or improper maintenance.

# TAKEX

### In Japan

Takenaka Engineering Co., Ltd.  
83-1, Gojo-sotokan,  
Higashino, Yamashina-ku,  
Kyoto 607-8156, Japan  
Tel : 81-75-501-6651  
Fax : 81-75-593-3816  
<http://www.takex-eng.co.jp/>

### In the U.S.

Takex America Inc.  
3350 Montgomery Drive,  
Santa Clara,  
CA 95054, U.S.A.  
Tel : 408-747-0100  
Fax : 408-734-1100  
<http://www.takex.com>

### In Australia

Takex America Inc.  
Unit 16/35 Garden Road,  
Clayton 3168 Victoria,  
Australia  
Tel : 03-9546-0533  
Fax : 03-9547-9450

### In the U.K.

Takex Europe Ltd.  
Takex House, Aviary Court,  
Wade Road, Basingstoke,  
Hampshire, RG24 8PE, U.K.  
Tel : (+44) 01256-475555  
Fax : (+44) 01256-466268  
<http://www.takexeuropa.com>