

### Specification Chart:

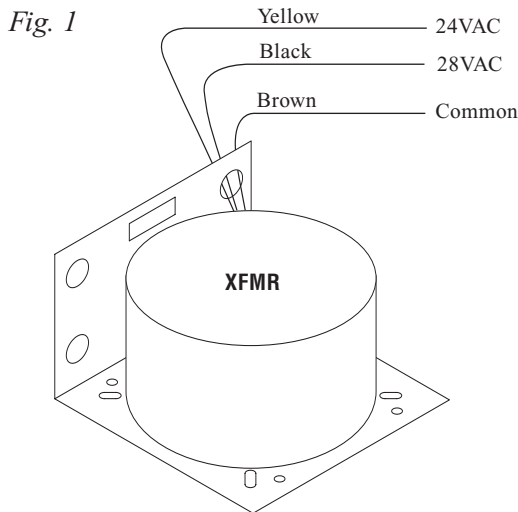
Model #	Input	Output
T2428300	115VAC 50/60Hz, 2.7 amp.	24VAC/300VA (12.5 amp) or 28VAC/300VA (10 amp)

### Installation Instructions:

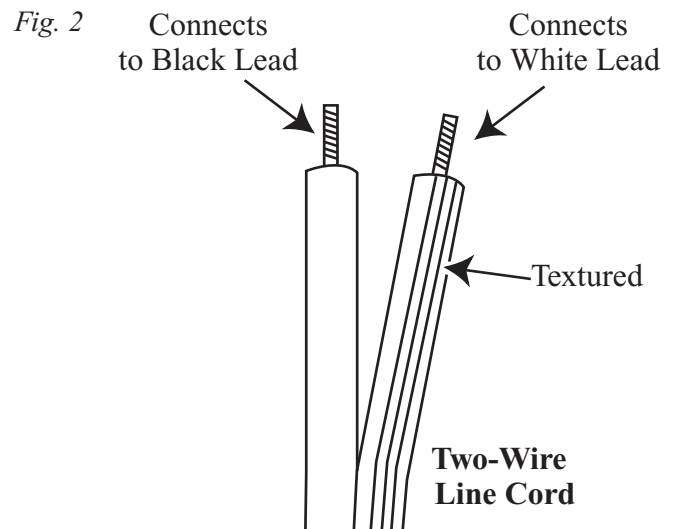
1. Mount transformer in desired location/enclosure.
2. If it is desired to install strain relief (supplied), refer to Strain Relief Installation Instructions (*Fig. 4 - Fig. 6, pg. 2*).
3. Connect 115VAC power to the primary wires as shown in the Wiring Configuration and Line Cord Installation below (*Fig. 1 and Fig. 2*).
4. Connect the line cord to black and white flying leads of transformer.
5. Measure output voltage before connecting devices. This helps avoid potential damage.
6. Connect 24VAC or 28VAC devices to secondary terminals on the transformer. For 24VAC configuration use brown and yellow leads, for 28VAC configuration use brown and black leads (*Fig. 1*).

**WARNING: This installation should be made by qualified service personnel and should conform to all local codes and in accordance with the National Electrical Codes.**

### Wiring Configuration:

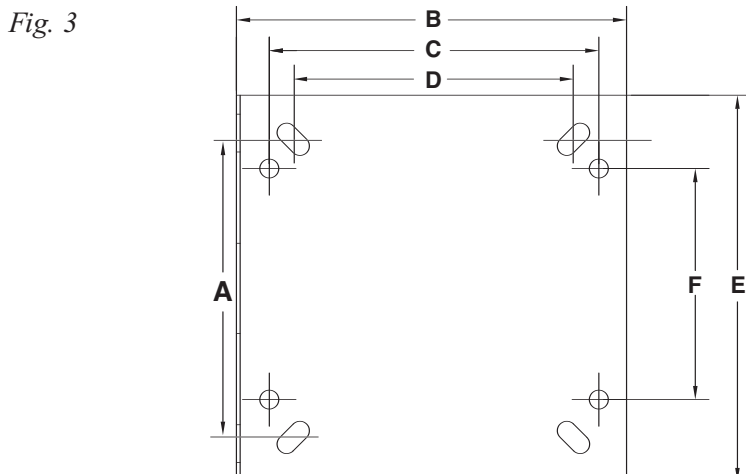


### Line Cord Installation:



### Transformer Bracket Dimensions Chart:

Model #	A	B	C	D	E	F	Approx. Ship Wt.
T2428300	3.9"	5.15"	4.35"	3.7"	5.1"	3.05"	14.15 lbs.

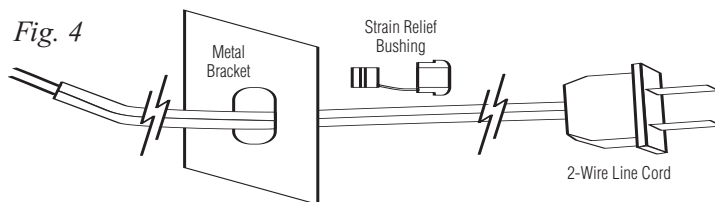


### Strain Relief Installation Instructions:

Wiring methods shall be in accordance with the National Electrical Code/NFPA 70/NFPA 72/ANSI, and with all local codes and authorities having jurisdiction. Product is intended for indoor use only.

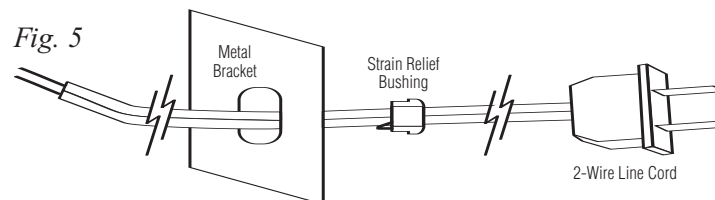
**The line cord option should be used when the equipment needs to be removed for maintenance or servicing.**

1. Push 2-wire line cord through designated line cord access opening on the bottom of enclosure  
(Fig. 4, on right).

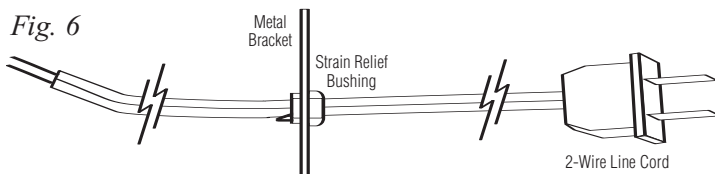


2. Place Strain Relief Bushing onto 2-wire line cord, by clamping down on both sides of Strain Relief Bushing (using the Heyco 3962 Strain Relief Plier),  
(Fig. 5, on right).

**Note:** Take care not to damage the 2-wire line cord.



3. Push Strain Relief Bushing w/2-wire line cord through the designated line cord access opening on the bottom of enclosure, allowing proper slack for hookup (approximately 6" to 8"). When positioning the 2-wire line cord in the enclosure make sure that it does not come into direct contact with the transformer,  
(Fig. 6, on right).



Altronix is not responsible for any typographical errors. Product specifications are subject to change without notice.