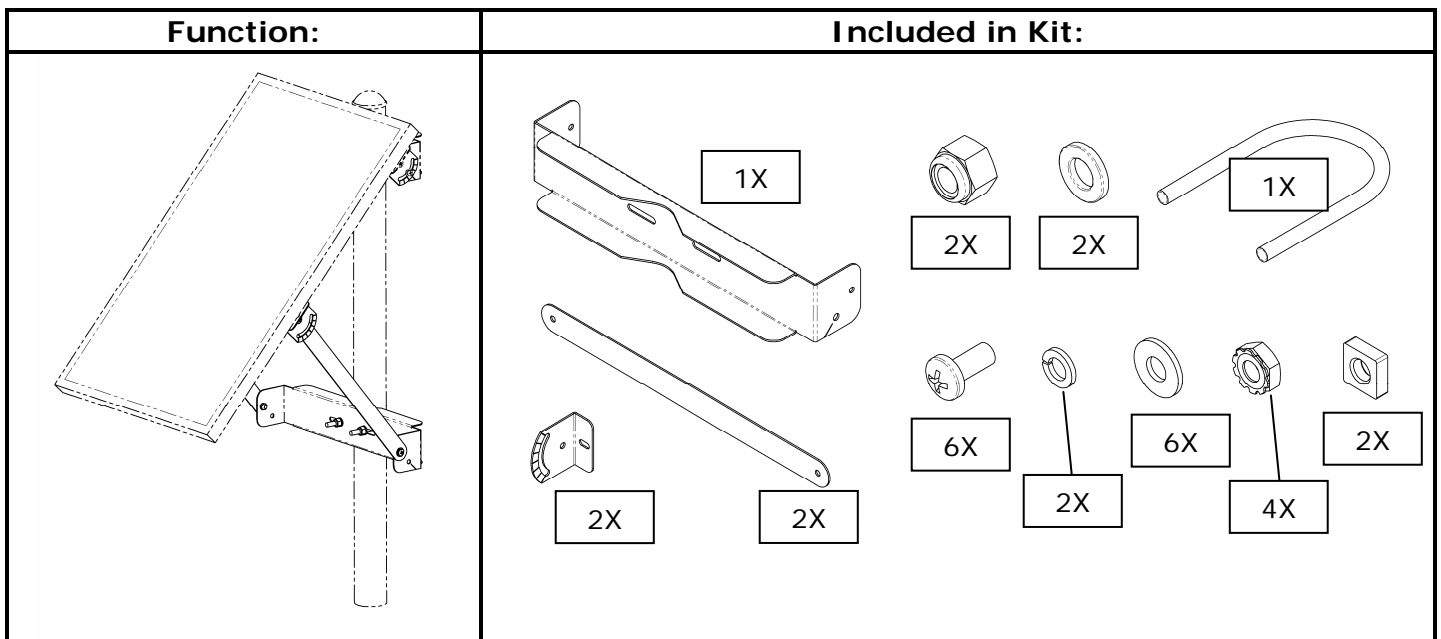


SOLAR WIND KIT MODEL SWK INSTALLATION INSTRUCTIONS

INTRODUCTION

The Solar Wind Kit is an accessory bracket kit designed to provide a stronger more stable mounting configuration for PV array panels that are mounted to poles in areas exposed to high winds. This manual provides the information required to successfully install an SWK to a pole mounted 10 or 20 Watt PV array panel included with a Securitron solar product.

DESCRIPTION



RECOMMENDED TOOLS

- Wrenches: 3/8" and 7/16" (or adjustable)
- Phillips Screwdriver: #2

INSTALLATION INSTRUCTIONS

This kit was designed specifically to provide additional support for a pole mounted PV array panel provided with a Securitron solar product. Please see the solar product installation and operating instruction manual for the initial installation of the PV array panel and for properly adjusting the panel to the correct direction and tilt angle.

Note: To ease the installation process the swivel mount brackets already installed to the PV array panel may need to be repositioned and secured toward the top portion of the panel.

Use **Figure 1** and the following step-by-step instructions to install the kit:

- Using the square nuts, flat washers, split lock washers and 10-32 screws, install the two (2) swivel brackets included with the kit into the side slots toward the lower portion of the panel as shown in **Figure 2**.
- Loosely assemble the two (2) support arms to the ends of the cross member using the provided K-lock nuts, flat washers and 10-32 screws.
- Loosely assemble the cross member to the pole using the U-bolt, 1/4" flat washers and the 1/4-20 lock nuts provided with the kit.
- Attach the loose ends of the two panel support arms to the previously installed swivel brackets using the provided K-lock nuts, flat washers and 10-32 screws.
- Verify and if necessary adjust the PV array panel to the correct tilt angle. (See the solar product installation and operating manual for guidance).
- Ensure that all the components of the kit are properly positioned to support the desired panel orientation then tighten all hardware to secure the assembly.

SOLAR WIND KIT INSTALLATION

The following exploded illustration **Figure 1** shows the included hardware required to properly install a SWK to a PV array panel mounted to a vertical pole. (20 Watt PV array panel shown).

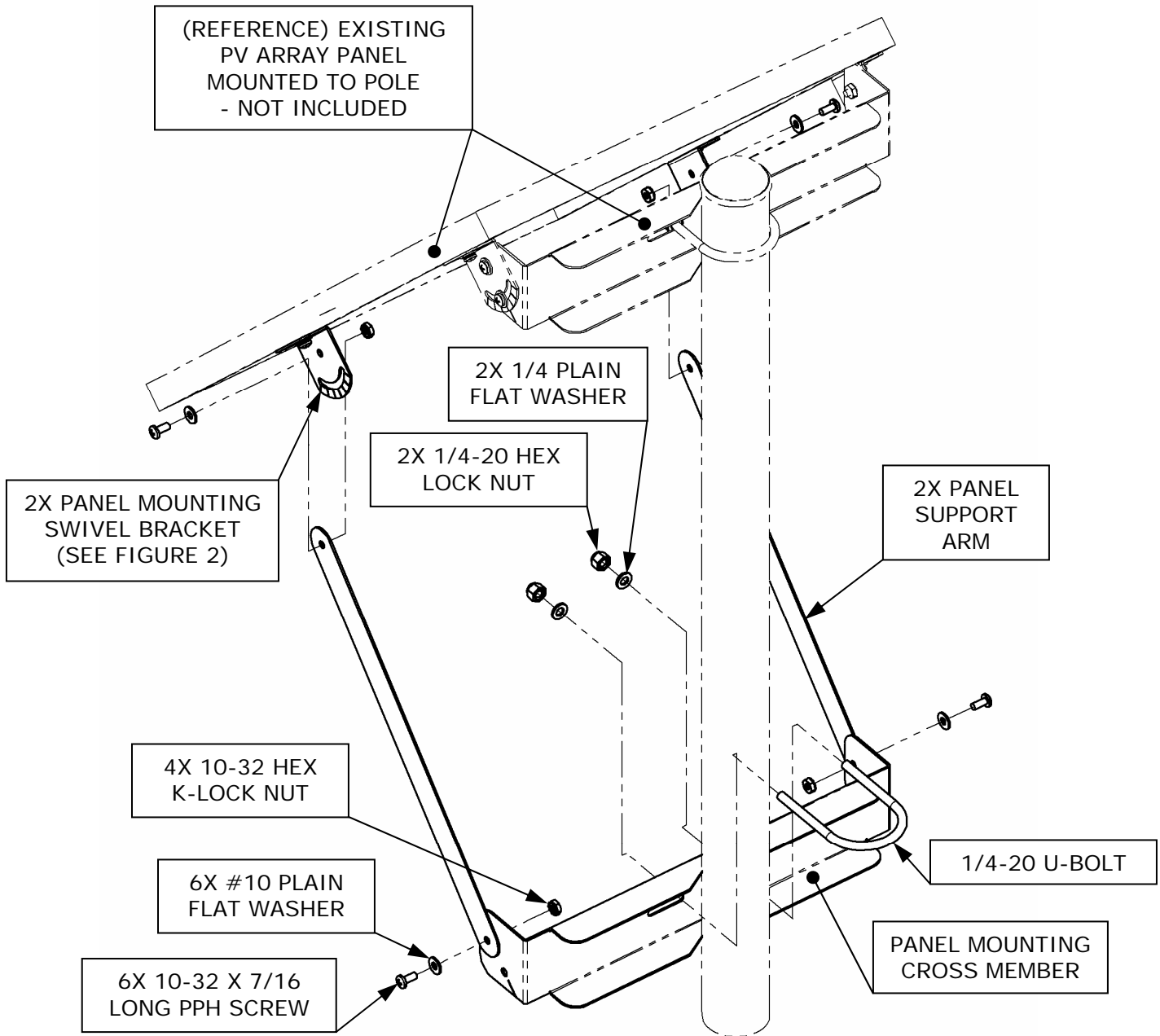


Figure 1

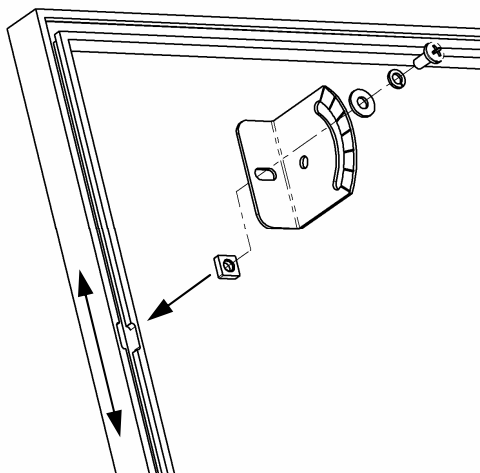


Figure 2

1. Insert the square nuts into the cutouts at each side of the panel and slide in slot to initial position.
2. Assemble swivel brackets with the included hardware to the nuts.
3. Tighten screws securely when brackets are adjusted to the desired position.