

## INSTALLATION INSTRUCTIONS FOR SAM WOOD DOOR BRACKET SWB-03, SWB-10B, SWB-26D

### 1. INTRODUCTION

The SWB – SAM Wood Bracket is designed for various wood door applications. The SWB – SAM Wood Bracket is designed for use on 1-3/4" hard core style doors that include strike mounting applications that are installed without the use of the end brackets. The SWB – SAM Wood Bracket reinforces the door to maintain the strength integrity of the door after coring. The SWB – SAM Wood Bracket is available in three (3) finishes. The finishes are as follows:

SWB-03	Polished Stainless Steel with Brass Finish
SWB-10B	Brushed Stainless Steel with Resin Finish
SWB-26D	Brushed Stainless with a #4 Grain Finish

### 2. SPECIFICATIONS

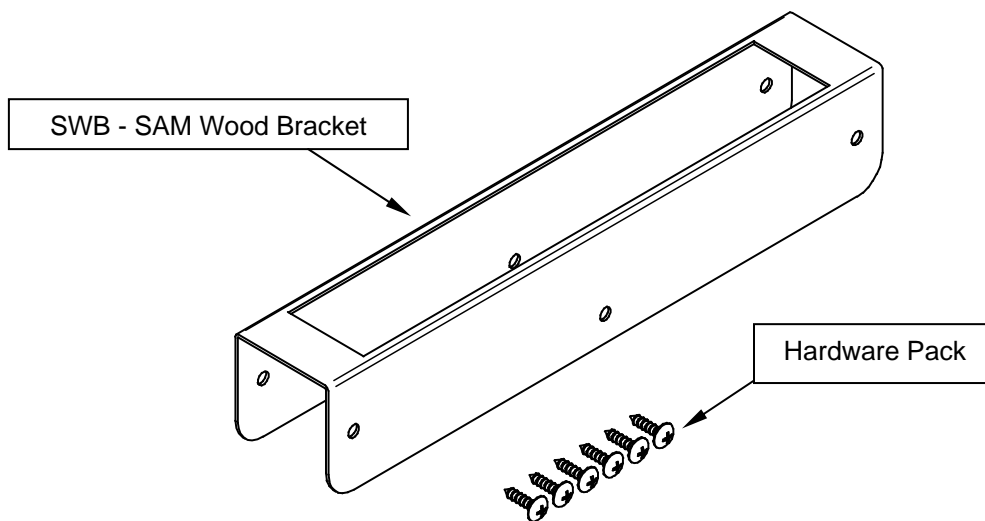
Bracket Dimensions:

Inches: 11"W X 2"H X 1.850"D

Millimeters: 280 W X 51H X 47 D

### 3. PRODUCT OVERVIEW

Upon unpacking this product, an inventory should be made to ensure that all the required components and hardware have been included. Along with these Instructions this product should include the following items:



### 4. RECOMMENDED TOOLS

Phillips Screwdriver

Drill bit: 9/64"

### 5. INSTALLATION INSTRUCTIONS

#### 5.1 Door Preparation and Strike Mounting

As expressed in Figure 1, route and chisel the strike mounting area in the door as noted in the SAM, SAM2 Shear Aligning Magnalock manual Section 2.3.5. Disassemble the end brackets and screws from the strike and set aside. Parts will not be needed for this installation.

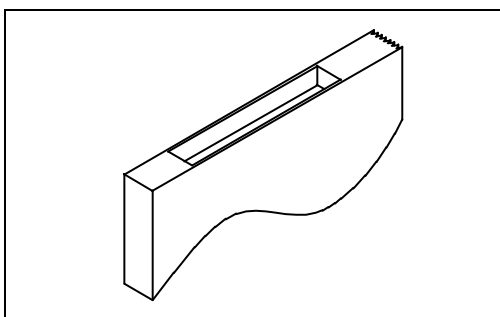


Figure 1

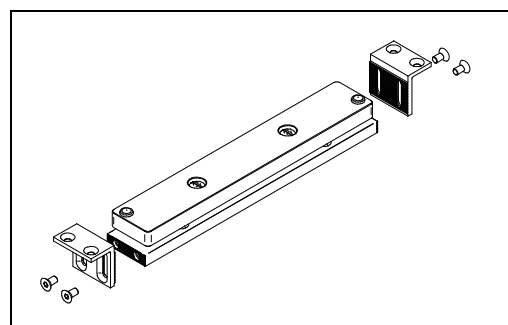


Figure 2

Disassemble the Strike from the Idle Bracket as shown in Figure 3. Mount the Idle Bracket as noted in the SAM, SAM2 Shear Aligning Magnalock manual Section 2.3.5 using the #8 x 3/4" screws provided. Reassemble the Strike Assembly to the Idle Bracket as shown in Figure 4.

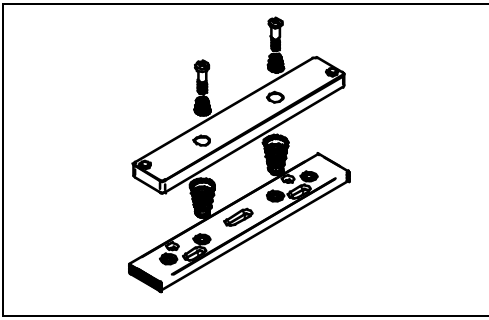


Figure 3

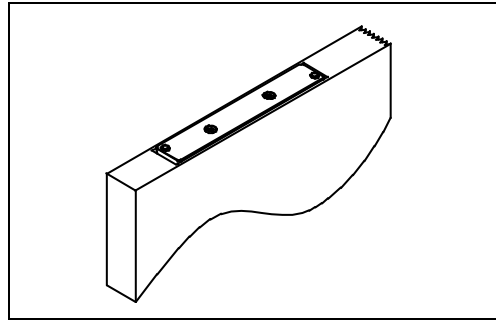


Figure 4

### 5.2 Reinforcement Bracket Installation

Place the reinforcement bracket on top of door and align over the strike assembly area. Mark the six (6) holes on both sides of the door. Remove the bracket and drill the holes using the 9/64" drill 5/8" – 3/4" deep. Place the reinforcement bracket back on top of the door and install the six (6) screws provided as shown in Figure 5.

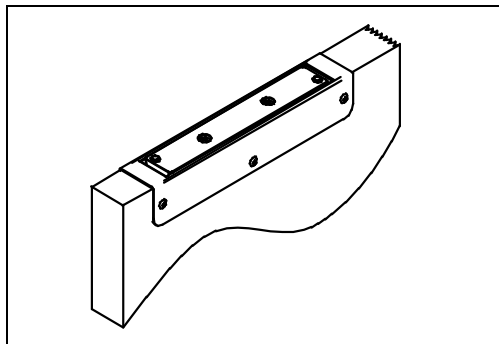


Figure 5