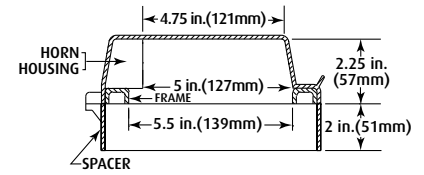
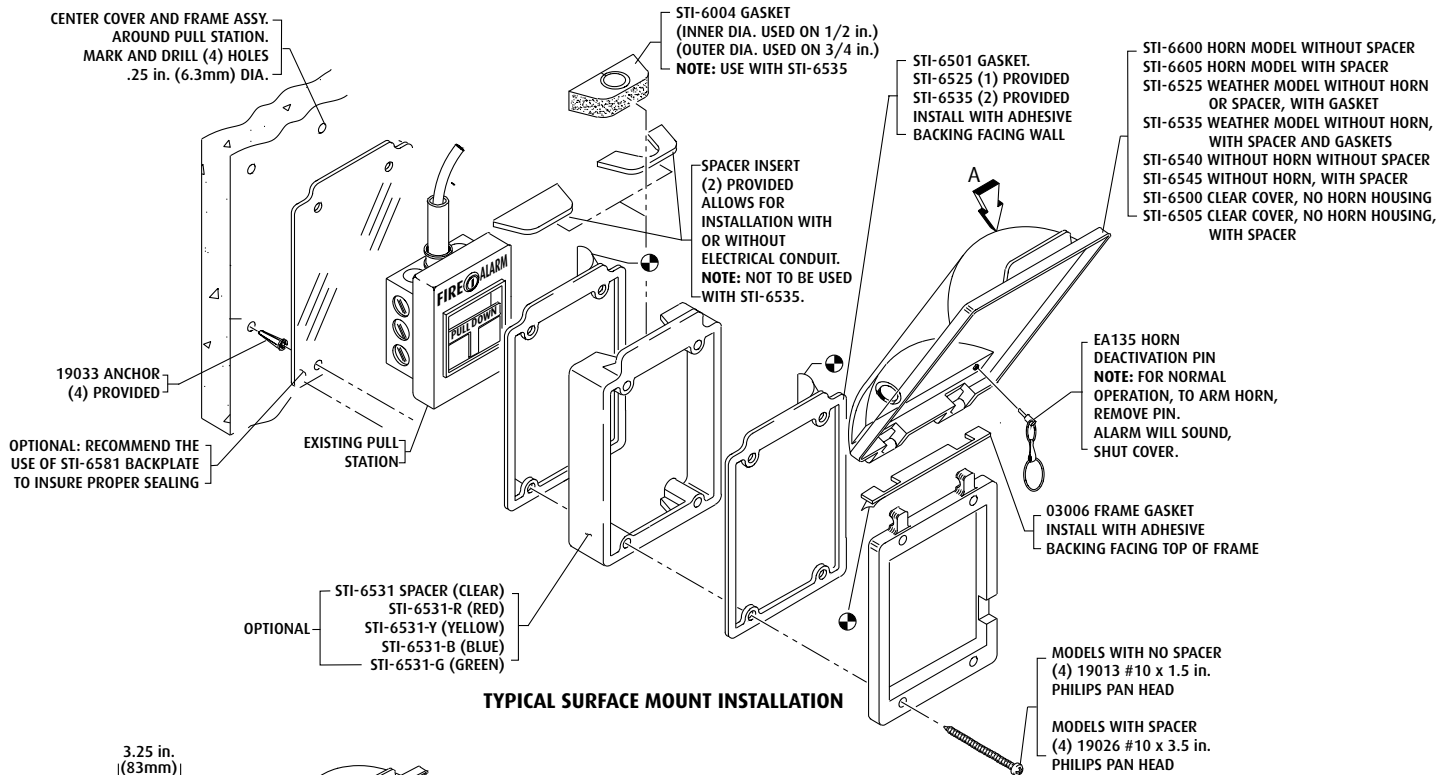


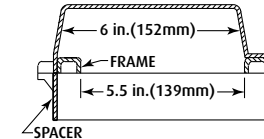


Safety Technology International, Inc.
 2306 Airport Road • Waterford, Michigan 48327-1209
 Phone: 248-673-9898 • Fax: 248-673-1246
 Toll Free: 800-888-4784 • E-mail: info@sti-usa.com
 Web: www.sti-usa.com

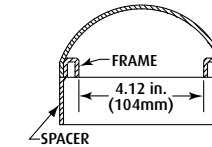
Safety Technology International (Europe) Ltd.
 Unit 49G Pipers Road • Park Farm Industrial Estate • Redditch
 Worcestershire • B98 0HU • England
 Tel: 44 (0) 1527 520 999 • Fax: 44 (0) 1527 501 999
 E-mail: info@sti-europe.com • Web: www.sti-europe.com



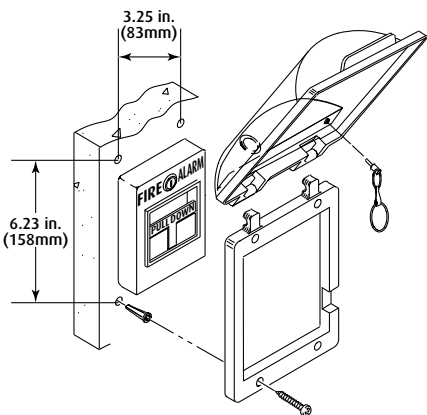
ALL HORN MODELS SIDE VIEW



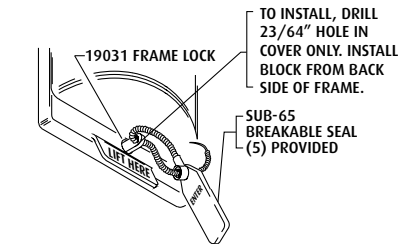
ALL MODELS WITHOUT HORN SIDE VIEW



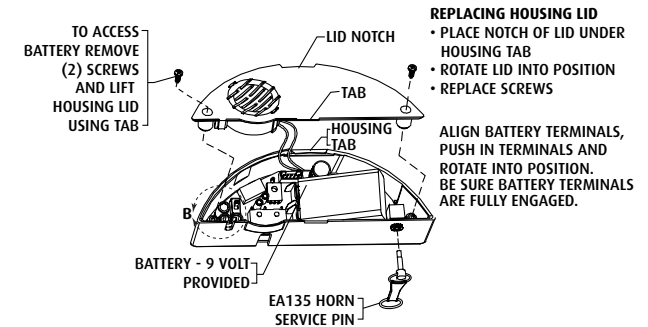
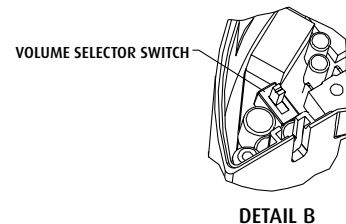
ALL MODELS END VIEW PRODUCT DIMENSIONS



TYPICAL FLUSH MOUNT INSTALLATION



VIEW IN DIRECTION OF ARROW A
 OPTIONAL: STOPPER SEAL STI-6515



VIEW SHOWING BATTERY REPLACEMENT

● REMOVE ADHESIVE BACKING PAPER GASKET
 NOT FOR USE WITH UNITS CONTAINING HORN

● RETIRER LE PAPIER DORSAL DE L'ADHÉSIF
 NE PAS UTILISER LE JOINT AVEC LES UNITÉS INTÉGRANT UNE ALARME SONORE

Electronic warranty form at www.sti-usa.com/wc14



INSTALLATION OF STI MINI STOPPER® SERIES

All specifications and information shown were current as of publication and are subject to change without notice.

66001S FEB2009

