



# STI Series Stopper<sup>®</sup> II



## Overview

This unique and patented device helps to prevent false fire alarms without restricting legitimate alarms. It consists of a tamper-proof, clear Lexan polycarbonate shield and frame that fits easily over manual pull stations. When lifted to gain access to the actual alarm, it sounds a piercing warning horn. Immediate attention is drawn to the pull station and a prankster will run or be caught. Legitimate alarms can still be pulled.

Use proven in thousands of applications around the world—including colleges, schools, hospitals, nursing homes, correctional institutions, hotels/motels and stores.

## Testing Approvals

Stopper II has been tested and approved or listed by:

- Underwriter Laboratories No. 49G2
- Underwriter Laboratories of Canada Issue No. 13959C
- Factory Mutual No. OG6A2.AY
- New York City Board of Standards No. 947-81-SA
- State of California (approval not required)
- General Service Administration

## Standard Features

- Fits virtually all pull stations
- Tested and approved by wide range of fire prevention and testing authorities
- Unconditional lifetime guarantee against breakage and damage to molded polycarbonate cover
- Guards against physical damage to manual pull station
- Weatherproofing option
- Optional 9-volt alkaline battery (included) powered horn

## Dimensions

### Size of Pull Station Accommodated

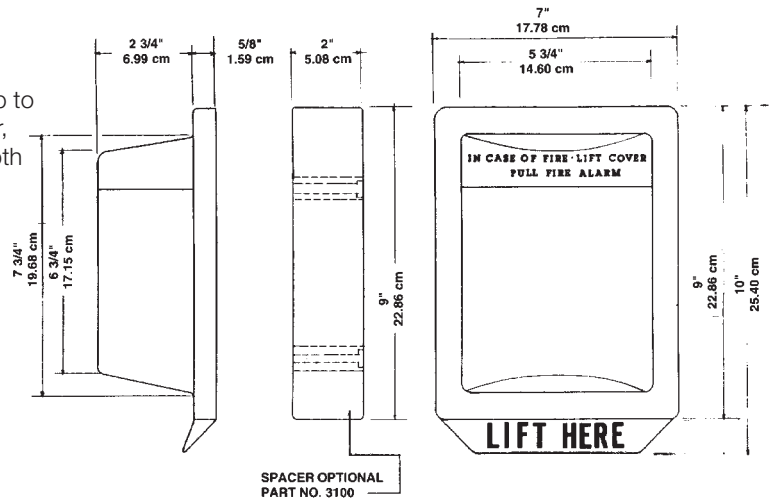
The Stopper II can be installed over a flush-mounted station up to 5½ inches (140mm) wide x 6¾ inches (171mm) high. However, the pull station's maximum dimensions will decrease as its depth (distance from wall) increases. e.g.:

¾ inch (19mm) deep pull station may be  
5 inches (140mm) wide x 6 inches (152mm) high

1-5/8 inch (41mm) deep pull station may be  
5 inches (127mm) wide x 6 inches (152mm) high

2-3/8 inch (60mm) deep pull station may be  
4 inches (102mm) wide x 5 inches (146mm) high

2 inch (70mm) deep pull station may be  
3 inches (76mm) wide x 5 inches (140mm) high



**NOTE:** If additional depth is needed, use the Conduit Spacer (Part No. STI 3100) which adds 2 inches (51mm) to the depth.

### Patent Approval

Stopper II has received patent approval from the United States (No. 4267549) and Canada (No. 1147828Z). Patents for other countries are pending.

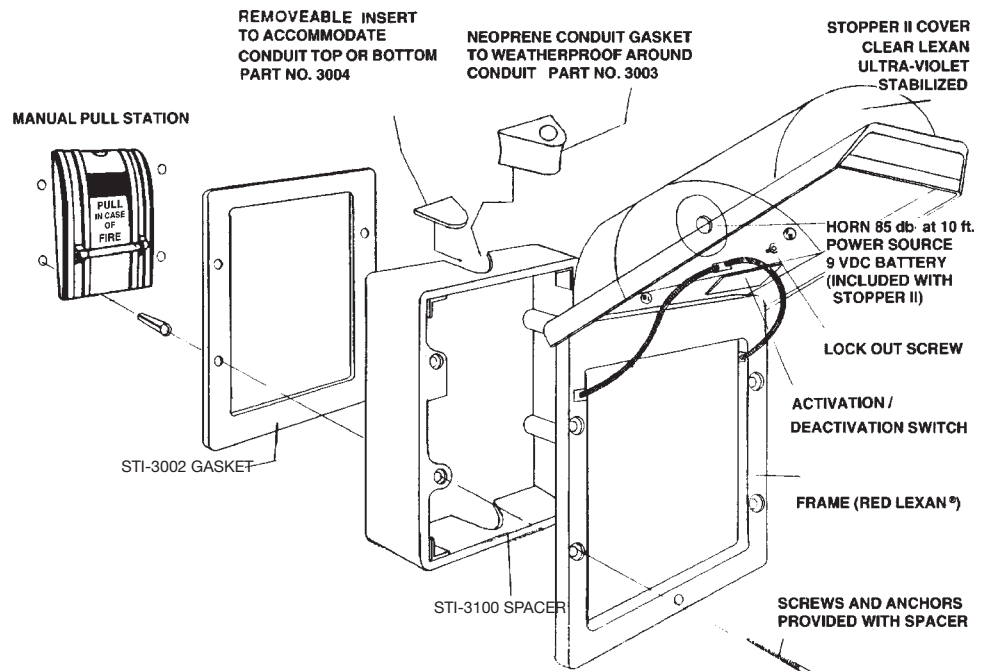
## Mounting

Two types of mounting are available. Flush-mounted means the pull station is mounted directly on the wall. Surface-mounted means the pull station is mounted on an electrical box away from the wall.

**Surface Mounted:** When the pull station is mounted on an electrical box away from the wall, order Part No. STI 1130 (with horn) or Part No. STI 1230 (without horn). Each includes longer screws with anchors and a 2 inch (51mm) conduit spacer (Part No. STI 3100) with knockouts top and bottom to accommodate the conduit pipe.

### For Added Weatherproofing

Install gasket (STI 3002) between Stopper II frame and wall. A second gasket must be installed behind the spacer for surface mounting. A conduit gasket (STI 3003) may be used to seal the conduit pipe.



### IMPORTANT NOTICE

Adequate training and instruction must be provided to avoid the possibility that persons, in the event of a real fire, lift the Stopper II cover, hear the horn and think they have set off the fire alarm.

1. Explain the purpose of the Stopper II to authorized personnel.
2. Show them how it works.
3. Instruct them to, upon hearing the Stopper II horn, check for the presence of a fire, and act accordingly by either pulling the fire alarm or shutting off Stopper II by closing the cover.
4. Check with your local fire authorities.
5. When covering a pull station, UL requires stations to be listed for outdoor use.

## Ordering Information

Catalog Number	Description	Ship Wt. lbs (kg)
*STI-1100	Stopper II with Horn (UL/ULC) — Flush	
*STI-1130	Stopper II with Horn (UL/ULC) — Surface	1.3 (0.6)
*STI-1200	Stopper II without Horn — Flush	
*STI-1230	Stopper II without Horn — Surface	
*STI-1250	WeatherStopper, flush c/w gasket (STI-3002)	1.3 (0.6)
*STI-3150	WeatherStopper, surface, c/w gaskets (STI-3002 x2), 2" Spacer (STI-3100) and conduit gasket kit	1.3 (0.6)
<b>Accessories</b>		
STI-3100	2 inch (50mm) Spacer	0.5 (0.2)
STI-3002	Weatherproofing Gasket	
STI-3003	Weatherproofing Conduit Gasket	
STI-3004	Conduit Insert	0.2 (0.1)
STI-1280	Black plate for rough wall mounting	

\*Suffix "F" for French labelled model



**Detection & alarm since 1872**

**U.S.**

T 888-378-2329

F 866-503-3996

**Canada**

Chubb Edwards

T 519 376 2430

F 519 376 7258

**Southeast Asia**

T : +65 6391 9300

F : +65 6391 9306

**India**

T : +91 80 4344 2000

F : +91 80 4344 2050

**Australia**

T +61 3 9239 1200

F +61 3 9239 1299

**Europe**

T +32 2 725 11 20

F +32 2 721 86 13

**Latin America**

T 305 593 4301

F 305 593 4300

[utcfireandsecurity.com](http://utcfireandsecurity.com)

© 2010 UTC Fire & Security.

All rights reserved.

---