



**Safety Technology International, Inc.**  
 2306 Airport Road • Waterford, Michigan 48327-1209  
 Phone: 248-673-9898 • Fax: 248-673-1246  
 Toll Free: 800-888-4784 • E-mail: info@sti-usa.com  
 Web: www.sti-usa.com

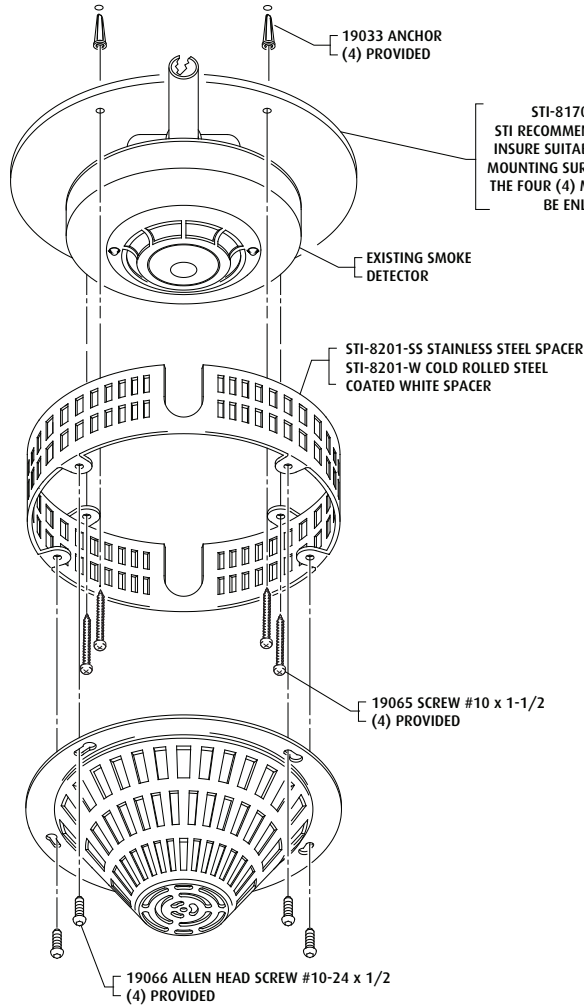
**Safety Technology International (Europe) Ltd.**  
 Unit 49G Pipers Road • Park Farm Industrial Estate • Redditch  
 Worcestershire • B98 0HU • England • Tel: 44 (0) 1527 520 999  
 Fax: 44 (0) 1527 501 999 • Freephone: 0800 085 1678 (UK only)  
 E-mail: info@sti-europe.com • Web: www.sti-europe.com

**APPROVALS**

STI-8200-X and STI-8230-X UL Listed No. S3504 for use with the following smoke detectors: System Sensor Models 2251, 2251T, 2251B, 2251TB, 2251TM, 2251TMB, 2251BR, 2551, 2551T, FTX-P1, FCI Models ASD-PL, ASD-P, ASD-PH, ASD-PTL, ASD-FILTEREX, ASD-FILTREXF, MCS-ACCLIMATE, ASD-PL2, ASD-PL2F, ASD-PTL2, ASD-PTL2F, MCD-ACCLIMATE2, MCS-ACCLIMATE2F, ASD-PL2FR, Secutron Models MR1-2251, MR1-2251B, EST Models 2251F, 2251FB, Mircom Models MIX-2251, MIX-2251B, Intelligent Systems Model ISL 2251, JCI Model 2951J, ADT Model 2951ADT, Fire-Lite Model SD355, Gamewell Model SS-P, Honeywell Models TC806B1076, TC806B1001 under 300 Fpm, Notifier Model FSP-751.

ULC Listed for use with Siemens FP-11C

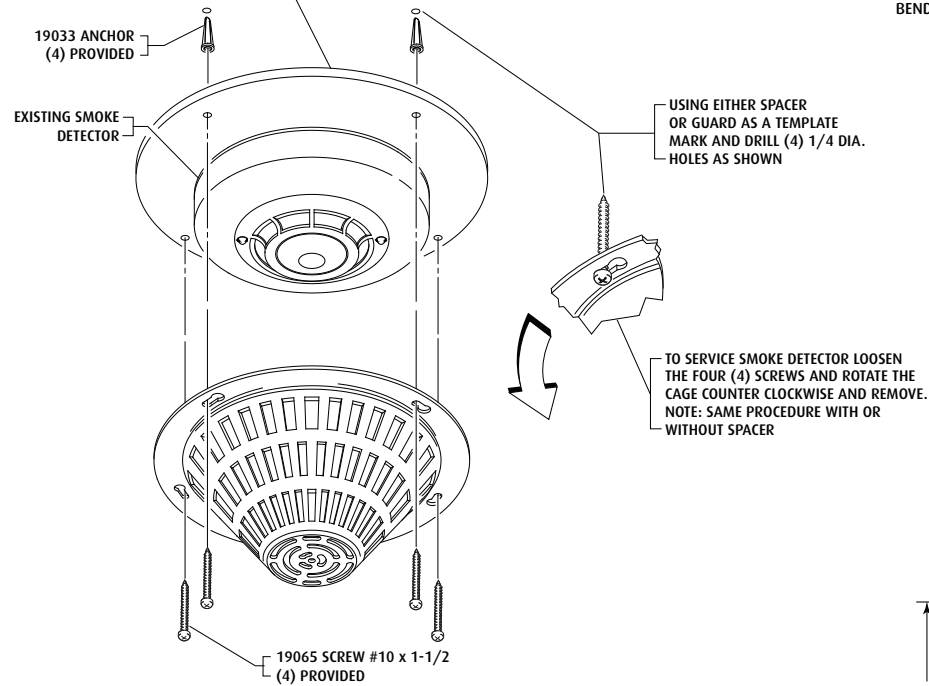
California State Fire Marshal No. 7300-1416101



**SURFACE MOUNT INSTALLATION**

**PART NUMBERS**

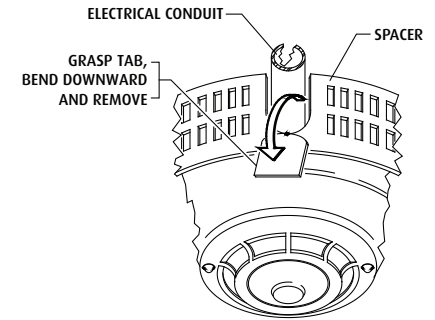
STI-8230 – STAINLESS STEEL  
 STI-8230 – COLOR: WHITE



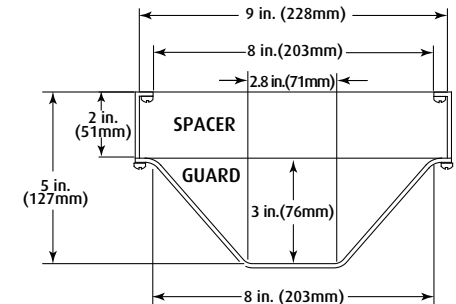
**FLUSH MOUNT INSTALLATION**

**PART NUMBERS**

STI-8200-SS – STAINLESS STEEL  
 STI-8200-W – COLOR: WHITE



**VIEW SHOWING SPACER INSTALLATION WITH CONDUIT ENTRY**



**PRODUCT DIMENSIONS**

Electronic warranty form at [www.sti-usa.com/wc14](http://www.sti-usa.com/wc14)

**INSTALLATION OF STI-8200 SMOKE DETECTOR GUARD**

All specifications and information shown were current as of publication, and are subject to change without notice.

8200IS MARCH2013

