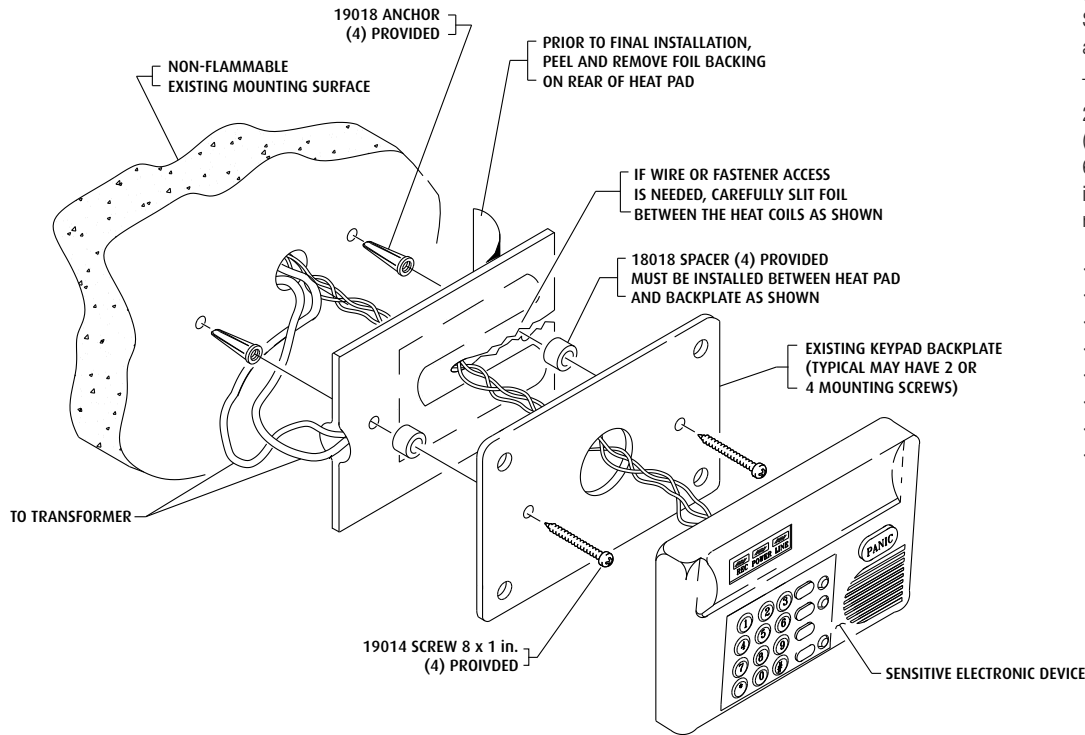




Safety Technology International, Inc.
 2306 Airport Road • Waterford, Michigan 48327-1209
 Phone: 248-673-9898 • Fax: 248-673-1246
 Toll Free: 800-888-4784 • E-mail: info@sti-usa.com
 Web: www.sti-usa.com

Safety Technology International (Europe) Ltd.
 Unit 49G Pipers Road • Park Farm Industrial Estate • Redditch
 Worcestershire • B98 0HU • England • Tel: 44 (0) 1527 520 999
 Fax: 44 (0) 1527 501 999 • Freephone: 0800 085 1678 (UK only)
 E-mail: info@sti-europe.com • Web: www.sti-europe.com



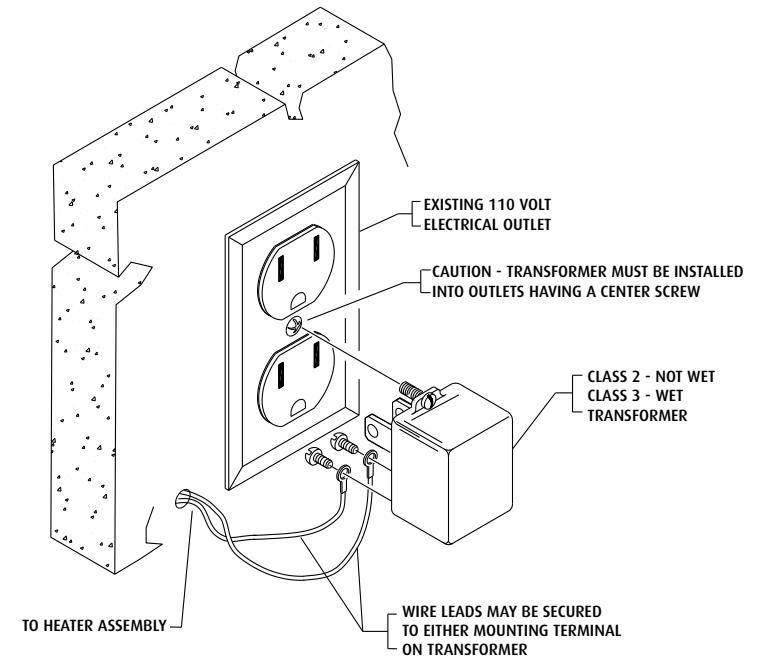
INSTALLATION INSTRUCTIONS

1. When installing the heater kit, it is important to place the foil as close as possible to the electronics you are protecting. The heat element is designed to keep small areas warm only, not a large volume area.
2. Peel back adhesive backing and apply heater foil to nonflammable surface behind electronic component.
3. Component mounting screws and wires may pierce the foil heater as shown, but caution is needed to ensure screws and wires do not touch heater coil.
4. Connect the wires from the heater assembly to a power source having a center screw (see drawing). STI-6580 is provided with a 12-volt transformer. STI recommends the usage of 14 AWG wire to connect heater assembly to transformer. Heater is not polarity sensitive and you can use either AC or DC power.
5. Mount device backplate over heater using nylon spacers as required to keep device from direct contact with heater.
 CAUTION: Heater foil is conductive and could cause electronic device to fail if the foil comes in contact with exposed wiring or circuitry.
6. Connect electronic device.

STI Heater Kits operate in conjunction with enclosures such as the STI Stopper® II and Mini Stopper® to protect and help expensive electronic components remain operable in low temperature areas. They include a foil heater pad with adhesive backing and an internal thermostat.

Two versions are available: a 12-volt model (shipped with its own 12-volt power supply) and a 24-volt model that is designed to tap directly into a remote power supply. The 12-volt system (STI-6580) is rated at 25 watts while the 24-volt system (STI-6583) is rated at 8 watts. The STI-6580 is designed to maintain a temperature of 33°F (1°C) down to -10°F (-23°C). The STI-6583 is designed only to keep enclosures, etc. from fogging. Use only the STI-6580 for applications requiring a significant heat source.

- Keeps LCD's from becoming sluggish and helps them stay visible in subzero temperatures.
- Allows critical electronic components to operate at low temperatures.
- In tests, STI-6580 maintained 33°F (1°C) at -10°F (-23°C).
- Both 12-volt and 24-volt models available.
- Both models include a one year warranty.
- Temperature control operates only when ambient temperature falls below 40°F (4°C).
- Easy to install and highly effective.
- Can be mounted inside control panels to keep batteries and electronics warm and operational.



Electronic warranty form at www.sti-usa.com/wc14

INSTALLATION OF STI-6580 & STI-6583 HEATER KIT

All specifications and information shown were current as of publication and are subject to change without notice.

65803IS DEC2007

