

STI Bio Protectors/ Snooper Stopper®



STI-6514-S



STI-7505



STI-6516



PRODUCT OVERVIEW

These tough covers protect devices from abuse, accidental damage and theft of access/keypad codes. Available in clear or smoke, for applications requiring privacy. The covers can protect a wide range of devices. All covers and hinges are molded from thick polycarbonate material that is UV-stabilized.

BACKED BY A THREE YEAR GUARANTEE

STI offers a three year guarantee against breakage of polycarbonate covers in normal use. They are easy to install and are shipped complete with anchors, screws and gasket. Gasket replacement is recommended every five years.

FEATURES

- Covers come in clear or in smoke color where privacy is required (STI-6516 clear only).
- Covers are molded from thick, super tough polycarbonate material.
- Comes complete with mounting hardware and gasket.
- Protects a wide range of equipment.
- STI-6514, STI-6514-S & STI-6516 can be used over volume and lighting controls.
- 94V-2 flammability rating.
- Typical working properties of polycarbonate are -40° to 250°F (-40° to 121°C).
- Fast, easy installation.
- Three year guarantee against breakage of polycarbonate in normal use.

STI Bio Protectors/Snooper Stopper®

Dimensions and Technical Information

MODELS AVAILABLE

STI-6514	Bio protector - identification reader cover - clear
STI-6514-S	Bio protector - identification reader cover - smoke color
STI-6516	Mini Bopper Stopper with spring loaded hinge - clear
STI-7504	Snooper Stopper – clear
STI-7505	Snooper Stopper – smoke
BIO-7504*	Bio protector - identification reader cover - clear
BIO-7505*	Bio protector - identification reader cover - smoke color

* Includes 1" thick gasket

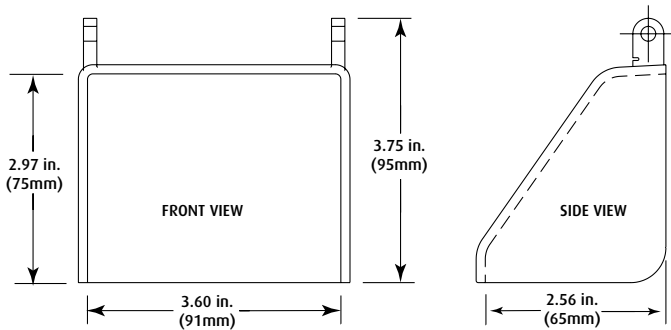
APPROVALS & WARRANTY

TESTING

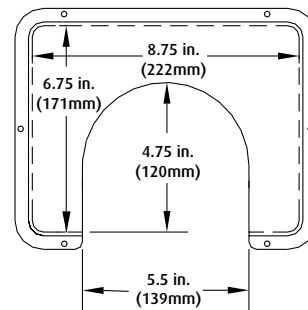
- Tested and approved or listed by:
- Underwriter Laboratories No. S7255
 - Canadian Underwriter Laboratories No. S7255
 - California State Fire Marshal approval not required
 - ADA Compliant (STI-6516 only)

WARRANTY

Three year guarantee against breakage of polycarbonate in normal use.



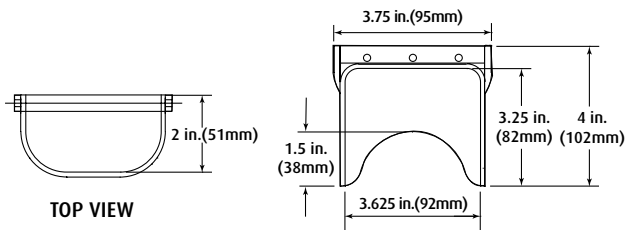
STI-6514



FRONT VIEW

BIO-7504/7505

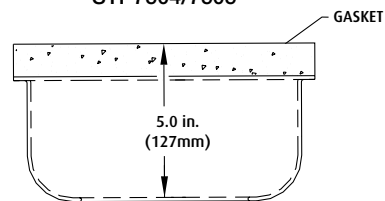
STI-7504/7505



TOP VIEW

FRONT VIEW

STI-6516



TOP VIEW

BIO-7504/7505

STI-7504/7505

4 inches deep



Safety Technology International, Inc.

2306 Airport Road
Waterford, Michigan
48327, USA

Tel: 248-673-9898
Fax: 248-673-1246
Toll-free: 800-888-4784
info@sti-usa.com
www.sti-usa.com

Unit 49G Pipers Road
Park Farm Industrial Estate
Redditch, Worcestershire
B98 0HU England

Tel: 44 (0) 1527 520 999
Fax: 44 (0) 1527 501 999
Free: 0800 085 1678 (UK)
www.sti-europe.com