



Safety Technology
International, Inc.

Stopper[®] Station Series SS-2008

Push Button Pneumatic Timer Button



ADA
for operation



Pneumatic Timer Models

SS-2008	Red
SS-2108	Green
SS-2208	Yellow
SS-2308	White
SS-2408	Blue

ALL MODELS COME WITH A
COLOR MATCHED SURFACE
MOUNT BACKBOX

We protect the things that protect you.[®]

This push button has been tested according to UL38 and UL2017. Manual fire alarm stations are listed in UL category UNIU and non-fire alarm initiating devices are listed in UL category UEHX. It is important to read, understand and follow all instructions provided with this product. It is the installer's responsibility to comply with NFPA72 and 101, NEC, mounting specifications according to ADA and other applicable fire and electrical codes. After installation and testing are complete, provide a copy of this manual to all personnel responsible for testing and maintenance of this product. To avoid electrical shock, DO NOT attempt to install this product when power is on.

* For access control installations, power for the SS-2008 must be supplied by a power source Listed to UL294. When used for access control, this device shall be used as a part of an access controlled egress door system. It is up to the local AHJ to allow use of this device in place of an automatic sensor. For higher security installations, lower time limits should be used.

L'essai de ce bouton-poussoir a été réalisé selon UL38 et UL2017. Les avertisseurs d'alerte d'incendie manuels sont répertoriés sous la catégorie UL UNIU tandis que les dispositifs de déclenchement d'alertes non incendie sont répertoriés sous la catégorie UL UEHX. Il est important de lire, de comprendre et de suivre toutes les instructions fournies avec ce produit. Il incombe à l'installateur de se conformer aux normes NFPA72 et 101, NEC, aux spécifications de montage selon l'ADA et aux autres codes de prévention des incendies et de l'électricité en vigueur. Pour éviter un choc électrique, NE tentez PAS d'installer ce produit lorsqu'il est sous tension. Une fois l'installation et les essais terminés, vous devez fournir une copie de ce manuel à l'ensemble du personnel chargé de l'essai et de l'entretien de ce produit.

* Pour les installations de contrôle d'accès, l'alimentation SS-2008 doit être fournie par une source homologuée UL294. Lorsque cet appareil est utilisé aux fins de contrôle d'accès, il doit faire partie d'un système de porte de sortie à accès contrôlé. Il incombe donc à l'AHJ local d'autoriser l'utilisation de cet appareil au lieu d'un capteur automatique. Pour les installations de sécurité plus renforcée, des délais inférieurs doivent être utilisés.

Installation and Service Instructions
STOPPER® STATION SERIES SS-2008
PUSH BUTTON PNEUMATIC TIMER
SAFETY NOTICE TO INSTALLERS AND USERS

I. GENERAL

Product Dimensions	See page 3
Contact Rating	One set NO and one set NC Rated at 10 AMP @ 240 VAC Recognized component listing is 1,000,000 cycles

UL File #UL57255 Operating Temperature of button 15°-120°F (-9°to +49°C)

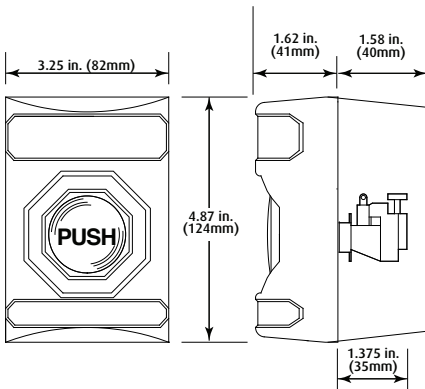
II. CONTENTS LIST

QTY.	DESCRIPTION
1	Push Button Housing Assembly
1	19001 Allen Head Screw #8-32 x 3/8 in.
1	19015 Allen Wrench 3/32 in.
4	19068 #6 x 5/8 in. hi-low screw
2	19060 Screw #6-32 x 1 in.
1	19021 Ground Screw
4	19039 #6 x 1 1/4 in. SS SMS
4	19018 Plastic Screw Anchor
1	71100A Surface Backbox

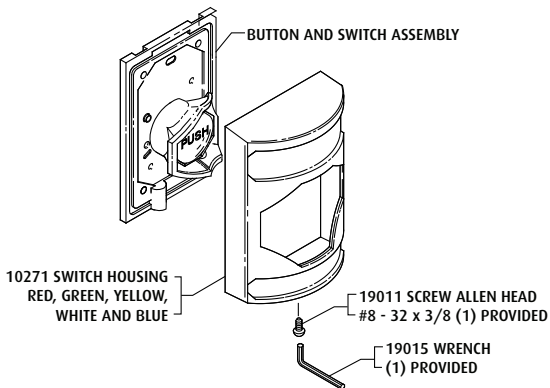
III. INSTRUCTIONS

Product Dimensions	Page 3
Front Housing Removal	Page 3
Backbox Preparation	Page 4
Switch Contact Diagram.....	Page 5
Switch Data.....	Page 5
Installation	Page 6
Warranty	Page 7

PRODUCT DIMENSIONS



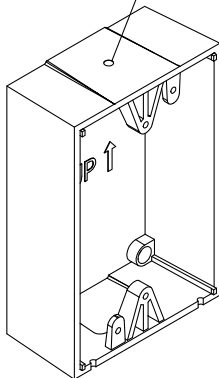
VIEW SHOWING FRONT HOUSING REMOVAL



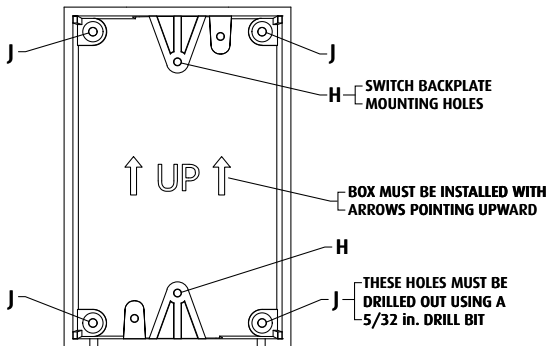
BACKBOX PREPARATION

(NOT INCLUDED WITH FLUSH MOUNT COVERS)

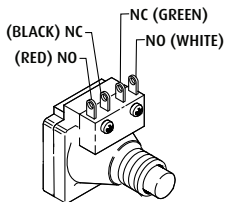
DRILL POINT LOCATIONS PROVIDED
TOP AND BOTTOM FOR 1/2 in.
CONDUIT FITTINGS.
DRILL AS NEEDED



FIELD DRILLING FOR CONDUIT ENTRY IS
REQUIRED. LOCATIONS SHOWN ALSO
APPLY TO OPPOSITE, PARALLEL SIDES.



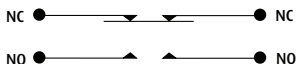
CONTACT DIAGRAM



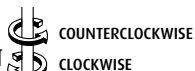
LEAD WIRE COLORS
IN PARENTHESIS.

CONTACTS

One set NO and one set NC



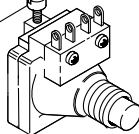
SWITCH INFORMATION



TIMER RANGE ADJUSTMENT SCREW
ADJUSTMENT RANGE - 2 TO 60 SECONDS

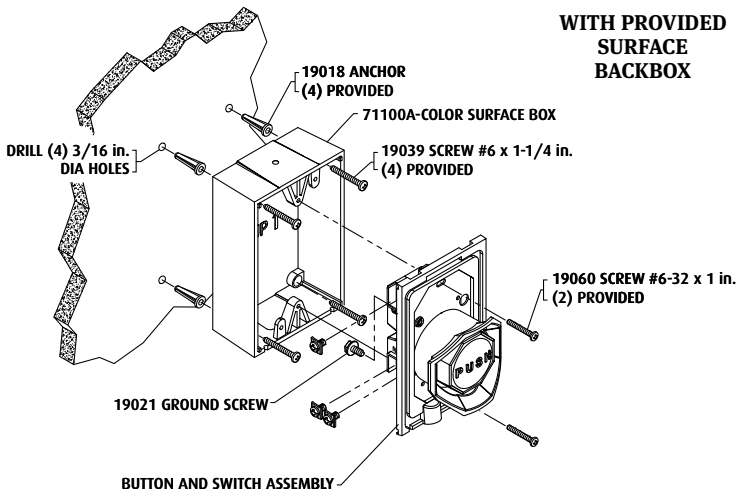
TIMER FACTORY SET TO MINIMUM TIME
SETTING. TO INCREASE TIME, TURN
SCREW CLOCKWISE IN 1/4 TURN
INCREMENTS. WHEN CLOSE TO DESIRED
TIME, TURN SCREW IN VERY FINE
INCREMENTS TO DESIRED SETTING.

**CAUTION: OVER-TIGHTENING MAY
CAUSE DAMAGE TO TIMER.**

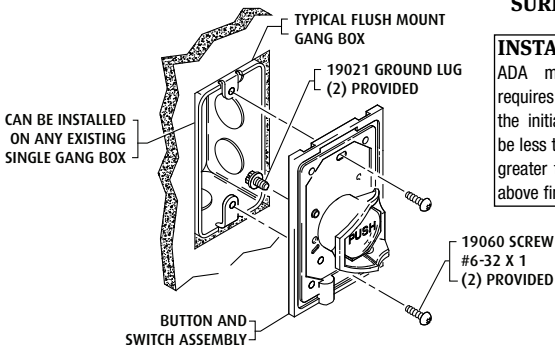


INSTALLATION

WITH PROVIDED SURFACE BACKBOX



WITHOUT PROVIDED SURFACE BACKBOX



INSTALLATION NOTE

ADA mounting compliance requires the operable part of the initiating device shall not be less than 1.1m (3 1/2 ft.) or greater than 1.37m (4 1/2 ft.) above finished floor service.

Warranty

Three year guarantee against breakage of polycarbonate in normal use (one year on electro mechanical and electronic components).

Electronic warranty form at www.sti-usa.com/wc14.



**Safety Technology
International, Inc.**

2306 Airport Rd • Waterford, MI 48327
Phone: 248-673-9898 • Fax: 248-673-1246
800-888-4STI (4784) • www.sti-usa.com

Safety Technology International (Europe) Ltd.
Unit 49G Pipers Road • Park Farm Industrial Estate • Redditch
Worcestershire • B98 0HU • England
Tel: 44 (0) 1527 520 999 • Fax: 44 (0) 1527 501 999
E-mail: info@sti-europe.com • Web: www.sti-europe.com

