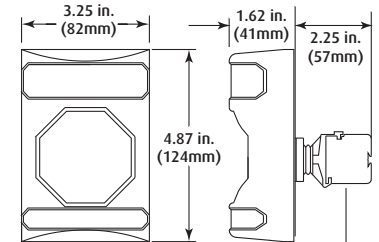
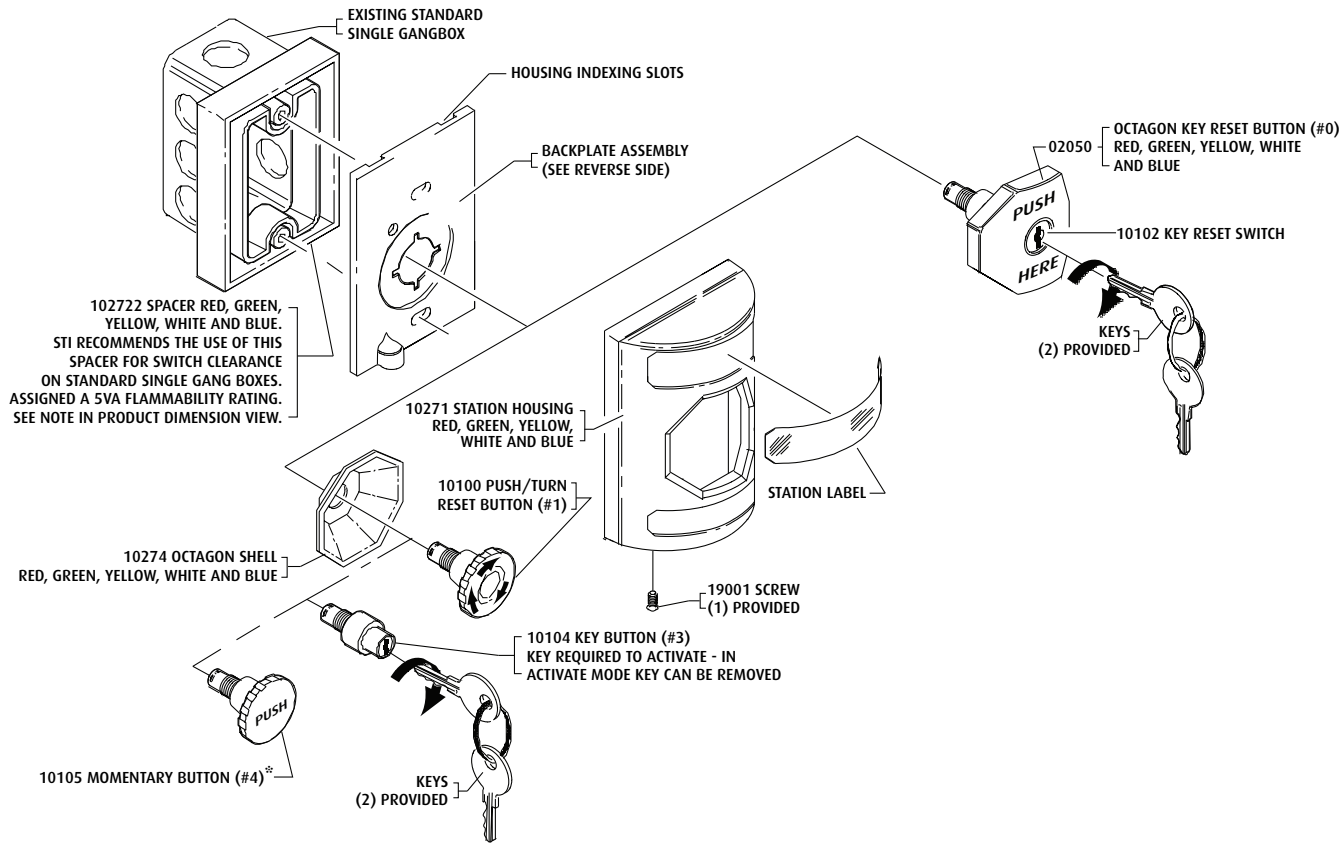




Safety Technology International, Inc.
 2306 Airport Road • Waterford, Michigan 48327-1209
 Phone: 248-673-9898 • Fax: 248-673-1246
 Toll Free: 800-888-4784 • E-mail: info@sti-usa.com
 Web: www.sti-usa.com

Safety Technology International (Europe) Ltd.
 Unit 49G Pipers Road • Park Farm Industrial Estate • Redditch
 Worcestershire • B98 0HU • England
 Tel: 44 (0) 1527 520 999 • Fax: 44 (0) 1527 501 999
 E-mail: info@sti-europe.com • Web: www.sti-europe.com



*NOTE: TO PROVIDE ADEQUATE CLEARANCE FOR INSTALLATION, MAY REQUIRE: SUB-102722 SPACER, OR RACO #660 W/1/2" K.O. AND RACO #653 EXTENSION RING. ALSO RACO #696 MASONRY BOX.

PRODUCT DIMENSIONS

***SS-2**4 and LT1-UL NOTES:** For access control installations, power for the LT-1UL Timer must be supplied by a power source listed to UL294. When used for access control, this device shall be used as part of an access controlled egress door system. It is up to the local AHJ to allow use of this device in place of an automatic sensor. For higher security installations, lower time limits should be used. For SS-2**4 and LT1-UL the enclosed timer is to be used and installed per the enclosed LT-1UL installation sheet. *SS-2**4 and LT1-UL maximum rating 30 VDC 3A.

REMARQUES POUR *SS-24 et LT1-UL:** Pour les installations de contrôle d'accès, l'alimentation de la minuterie LT-1UL doit être fournie par une source homologuée UL294. Lorsque cet appareil est utilisé aux fins de contrôle d'accès, il doit faire partie d'un système de porte de sortie à accès contrôlé. Il incombe donc à l'AHJ local d'autoriser l'utilisation de cet appareil au lieu d'un capteur automatique. Pour les installations de sécurité plus renforcée, des délais inférieurs doivent être utilisés. Pour les modèles SS-2**4 et LT1-UL, la minuterie intégrée doit être installée et utilisée suivant la fiche d'installation LT-1UL fournie. La cote maximale des modèles *SS-2** 4 et LT1-UL est de 30 VCC 3A.

Electronic warranty form at www.sti-usa.com/wc14

INSTALLATION OF SS-2000 SERIES STOPPER® STATION

All specifications and information shown were current as of publication, and are subject to change without notice.

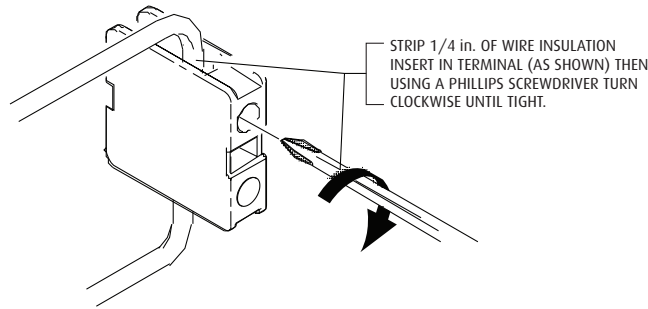
10271S MAY2011





Safety Technology International, Inc.
 2306 Airport Road • Waterford, Michigan 48327-1209
 Phone: 248-673-9898 • Fax: 248-673-1246
 Toll Free: 800-888-4784 • E-mail: info@sti-usa.com
 Web: www.sti-usa.com

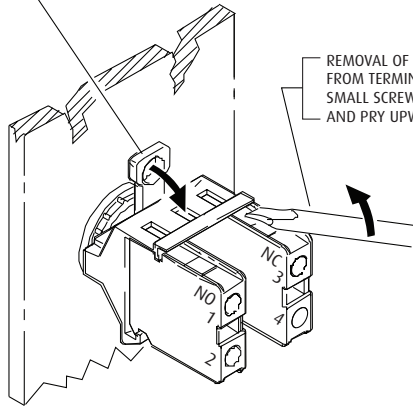
Safety Technology International (Europe) Ltd.
 Unit 49G Pipers Road • Park Farm Industrial Estate • Redditch
 Worcestershire • B98 0HU • England
 Tel: 44 (0) 1527 520 999 • Fax: 44 (0) 1527 501 999
 E-mail: info@sti-europe.com • Web: www.sti-europe.com



STRIP 1/4 in. OF WIRE INSULATION
 INSERT IN TERMINAL (AS SHOWN) THEN
 USING A PHILLIPS SCREWDRIVER TURN
 CLOCKWISE UNTIL TIGHT.

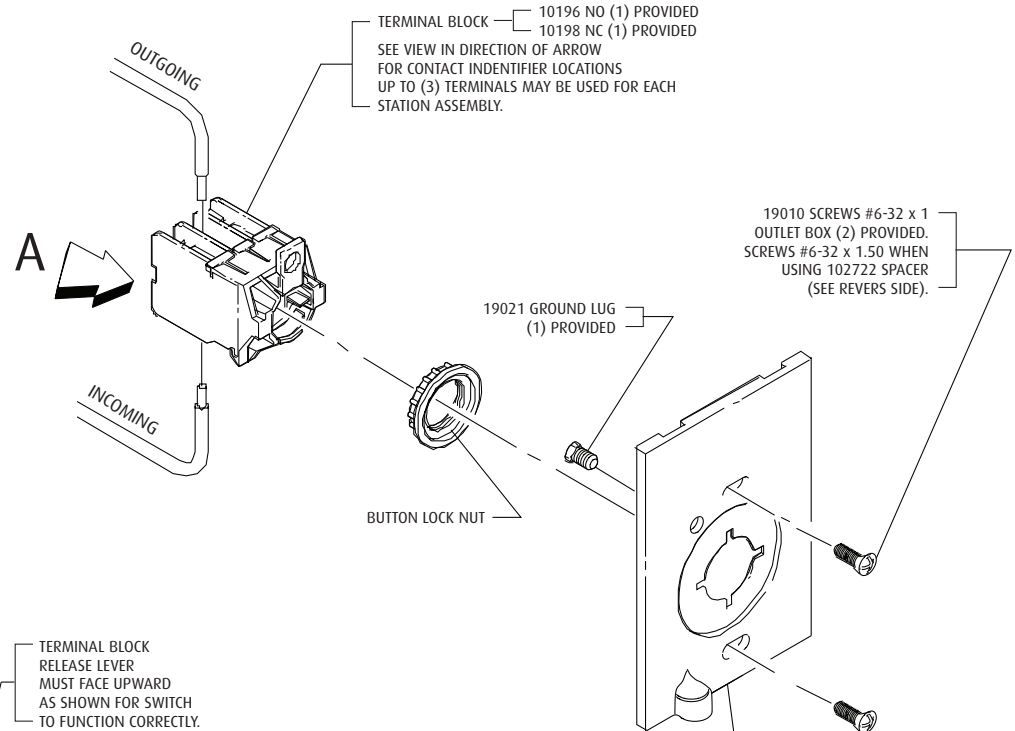
VIEW IN DIRECTION OF ARROW A
INSTALLATION OF ELECTRICAL
WIRE INTO TERMINAL BLOCK

SEPARATION OF TERMINAL ASSEMBLY
 FROM BUTTON ASSEMBLY IS AS FOLLOWS:
 GRASP TERMINAL HOUSING AND USING THUMB
 APPLY PRESSURE DOWNWARD, REMOVE TERMINAL.



REMOVAL OF TERMINAL BLOCK
 FROM TERMINAL HOUSING: INSERT
 SMALL SCREWDRIVER (AS SHOWN)
 AND PRY UPWARD, REMOVE TERMINAL.

VIEW IN DIRECTION OF ARROW A
INSTALLATION AND REMOVAL OF TERMINAL BLOCKS AND
TERMINAL BLOCK ASSEMBLY FROM BUTTON ASSEMBLY



TERMINAL BLOCK — 10196 NO (1) PROVIDED
 10198 NC (1) PROVIDED
 SEE VIEW IN DIRECTION OF ARROW
 FOR CONTACT IDENTIFIER LOCATIONS
 UP TO (3) TERMINALS MAY BE USED FOR EACH
 STATION ASSEMBLY.

19010 SCREWS #6-32 x 1
 OUTLET BOX (2) PROVIDED.
 SCREWS #6-32 x 1.50 WHEN
 USING 102722 SPACER
 (SEE REVERS SIDE).

19021 GROUND LUG
 (1) PROVIDED

BUTTON LOCK NUT

TERMINAL BLOCK
 RELEASE LEVER
 MUST FACE UPWARD
 AS SHOWN FOR SWITCH
 TO FUNCTION CORRECTLY.

ELECTRICAL TERMINAL BLOCK
 UP TO 3 TERMINALS MAY BE USED

10272 BACKPLATE
 GREEN, YELLOW, WHITE AND BLUE

INSERT NOTCH, AS SHOWN
 THEN ROTATE UPWARD



TERMINAL BLOCK LEGEND

- NO — NORMALLY OPEN
- NC — NORMALLY CLOSED
- C — COMMON

ALL TERMINALS ACCEPT TWO 12 TO 18 (AWG)

VOLTAGE	RATED AVERAGE CURRENT
250 VDC	1 AMP
600 VAC	3 AMP

NOTE: SS-2XX4/LT CONTACTS ON FORM C TIMER RATED: 120 VAC, 3A
 28 VDC, 3A

INSTALLATION OF SS-2000 SERIES STOPPER® STATION

All specifications and information shown were current as of publication, and are subject to change without notice.