

SP30PT white housing
SP30PTB black housing

Features

Speco Technologies' pendant speakers skillfully combine style, convenience and value into one package, and are perfect for situations where background music or paging are needed but ceiling or wall mounting is prohibitive. They feature a quick-flip 70 or 25 Volt selector switch and an easy-select transformer wattage dial, readily accessible on the top of the speaker. The choice of 8 or 9 individual wattage tap settings covers a complete range of uses. These speakers feature a unique, three point mounting system and come complete with an 11.25" three-wire hanging apparatus in the box. Whether a stylish, unique looking speaker is desired, or hanging speakers is required, Speco Technologies' pendant-mount speakers are the perfect ones for the job.



Specifications	SP30PT/SP30PTB
Total Frequency Response Range	43Hz~20KHz
Low Frequency Driver	5" Polypropylene with rubber surround
Low Frequency Magnet	11 oz. Ferrite
High Frequency Driver	0.5" Coaxially Mounted Mylar Dome Tweeter
Sensitivity (1W/1M)	92dB (±2dB)
Impedance Ratings	8 Ohms, 70V, 25V
Power Input (RMS)	30W
Power Input (Max)	60W
Transformer Power Settings (in Watts)	30, 15, 7.5, 5, 2.5, 1, .5, .25 & 8 Ohms
Baffle Material	ABS
Back Can Material	ABS
Grille Material	Metal
Wire Connection Type	Press Terminal
Weight	5 lbs
Dimensions	8.66" width (at bottom)/3.98" width (at top) x 5.32" Height
Included Accessories	11.25" Three-wire Hanging apparatus
Baffle and Grille Color	Available in White (SP30PT) and Black (SP30PTB)

Speco Technologies is constantly developing and improving products.

We reserve the right to modify product design and specifications without notice and without incurring any obligation.

Rev. 8/17/11

For more information contact Speco Technologies

200 New Highway, Amityville, NY 11701 • Toll Free: 1-800-645-5516 • Fax: 631-957-9142 or 631-957-3880
www.specotech.com

Architect & Engineer Specifications / SP30PT

The loudspeaker system shall be white in color and be the Speco Technologies SP30PT.
The loudspeaker system shall be black in color and be the Speco Technologies SP30PTB.

System shall include a high performance 5" coaxial loudspeaker, ported bass reflex enclosure and press-fit grille.
The total frequency response for the system shall be 43 Hz – 20 kHz.

Sensitivity shall be 92dB average.

Loudspeaker shall be comprised of a 5" coaxial cone type driver. Cone shall be constructed of polypropylene with a rubber surround. The 1/2" tweeter shall be constructed of Mylar. Magnet shall be Ferrite and a minimum of 11 oz.

Transformer shall be a 70.7V / 25V type with .25, .5, 1.0, 2.5, 5.0, 7.5, 15.0, and 30.0 watt primary taps (@70.7V) with a top mounted tap selector switch to include transformer bypass setting for 8Ω direct coupled operation.

Enclosure shall be an impact-resistant ABS Plastic enclosure design.

The mounting system shall only be accomplished by hanging the speaker suspended from the ceiling supports. Enclosure shall include three plastic hooks for mounting as a pendant. System shall include a 11.25" total length three-wire hanging apparatus.

External wiring shall be accomplished via press-terminals to provide both secure wire termination and fast installation of wires.

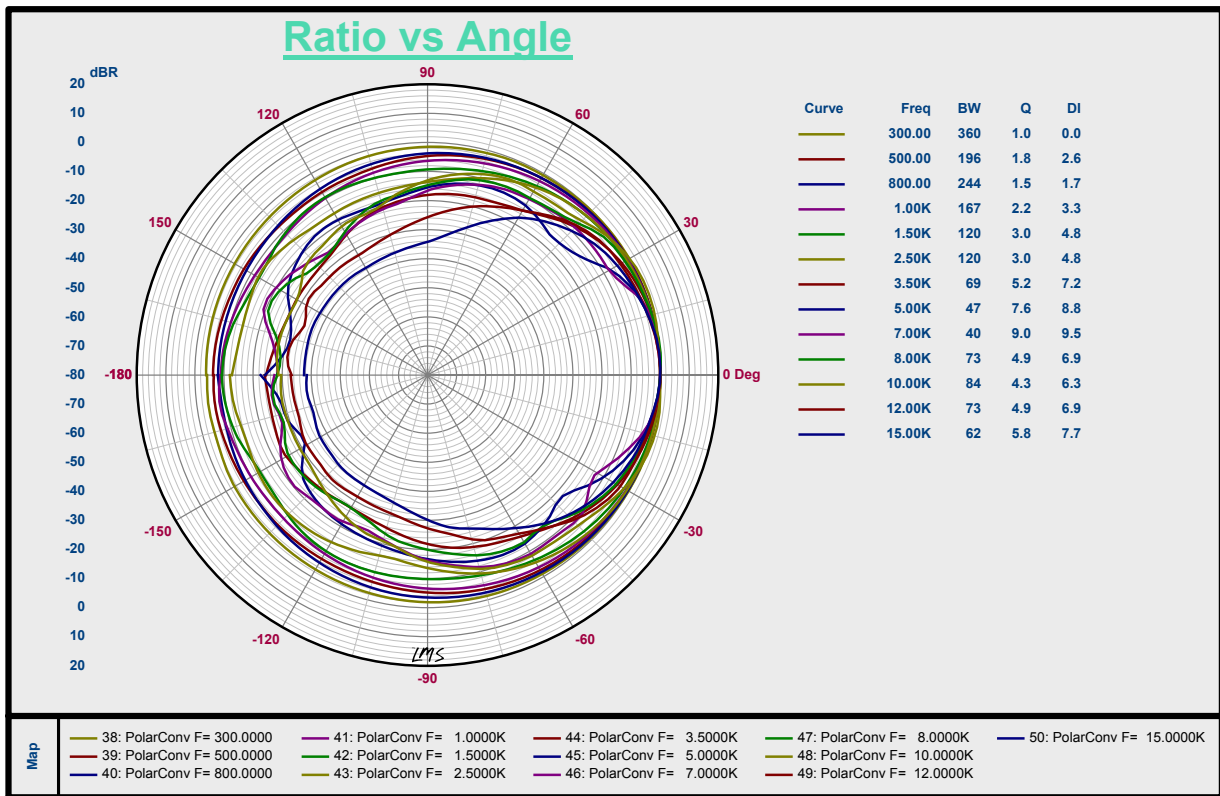
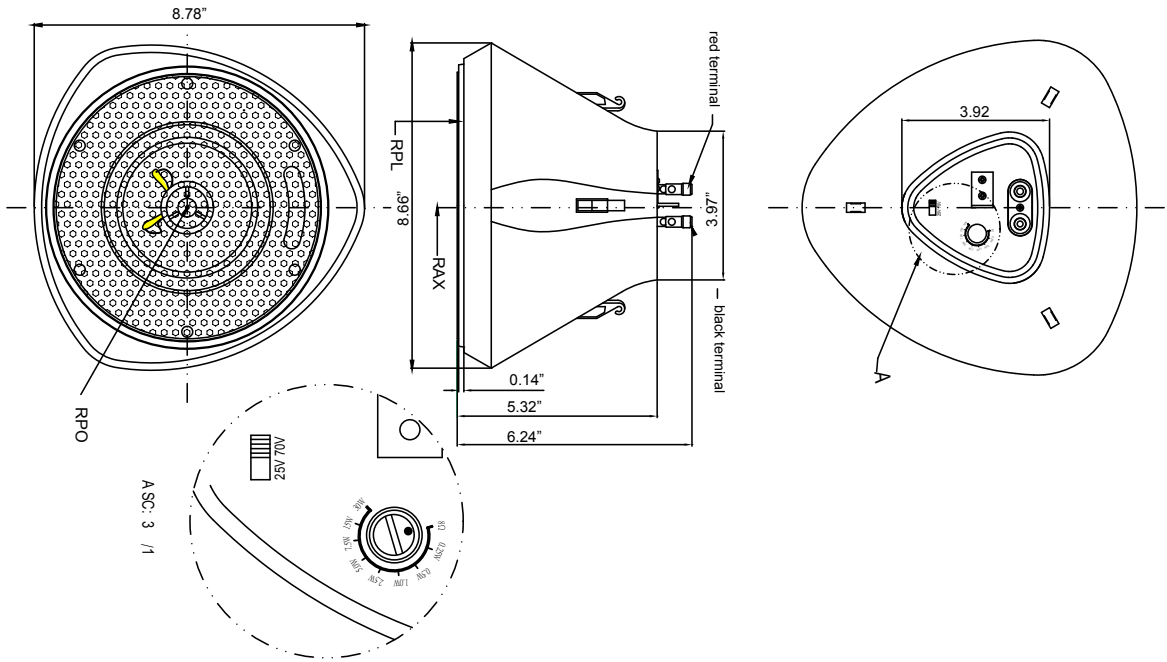
Seismic support eye shall be provided on top of enclosure for additional suspension support.

Overall front face diameter shall not exceed 8.78"; overall depth from the bottom of the speaker to the top, including wire connections, shall not exceed 6.24"; overall top diameter shall not exceed 4".

Grilles shall be press-fit, manufactured from 24-gauge perforated steel mesh and finished in epoxy. Round grill shall not exceed 7.13" diameter.

The loudspeaker shall be the Speco Technologies' SP30PT.
The loudspeaker shall be the Speco Technologies' SP30PTB.

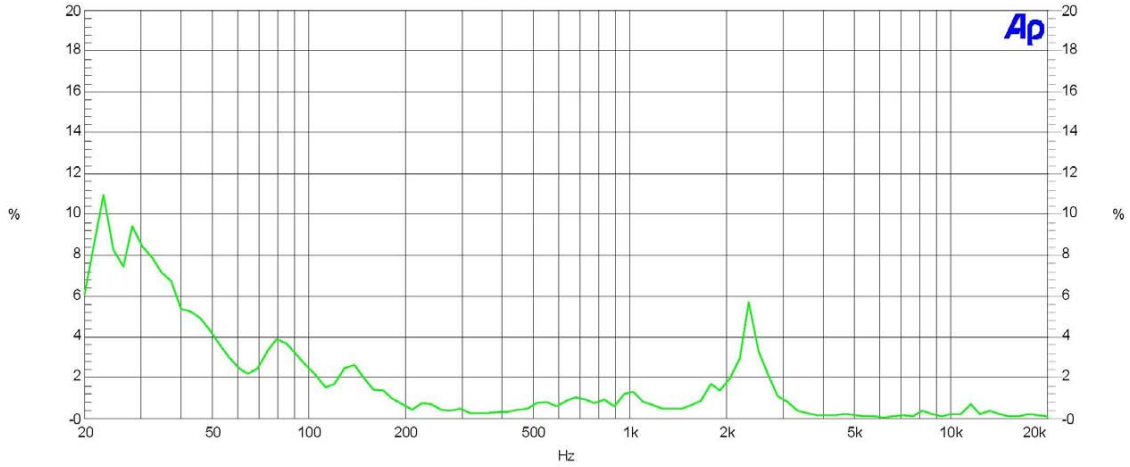
Product Dimensions



Audio Precision

Total Harmonic Distortion

01/01/01 02:11:36



Sweep	Trace	Color	Line Style	Thick	Data	Axis	Comment
1	1	Cyan	Solid	1	Anlr.THd+N Ratio	Left	
1	2	Green	Solid	1	Anlr.THd+N Ratio	Right	

8 OhmSPK THD.at2c

