



**SILENT
KNIGHT**

by Honeywell

SK-ION

Intelligent Ionization Smoke Sensor

Hospitals, industrial environments and other locations where rapid fire development is expected should consider ionization smoke detectors as part of their IntelliKnight detection package. Ionization smoke detectors provide early warning in fast-flaming fires that show little visible smoke. The IntelliKnight panel recognizes each detector by its specific address, so precious seconds are not wasted in determining location of an alarm.

For more information about the IntelliKnight system, or to locate your nearest source, please call 800-328-0103.

Description

The SK-Ion has responsive, yet high operational stability for an extremely wide range of uses. The SK-Ion can be used in areas where early warning of trouble from super-heated or flaming combustibles is expected.

The SK-Ion detector incorporates a single source dual chamber designed to respond quickly in to a broad range of fires.

Operation

The SK-Ion ionization smoke detector has two chambers: a sampling chamber, and a reference chamber. Smoke or invisible combustion gases can freely penetrate the sampling chamber, but the reference chamber is virtually closed to prevent easy entry. With both chambers ionized by a single radioactive source, a very small current flows.

Presence of visible smoke or invisible gases greatly influences the current flow in the sampling chamber, changing the voltage ratio between the two chambers. This difference is amplified inside the detector. After reaching the critical level, the detector triggers into alarm.

The SK-Ion includes two LEDs on each sensor which light to provide a local, visible sensor indication. The status LED lights continuously during an alarm.

Features

- Low profile design
- 6" Mounting base included
- Rotary address switches
- Built-in fire test feature
- Dual LED indicators for 360° visibility
- Detector transmits signal to indicate maintenance is required
- Plug-in mounting provides ease of installation
- Vandal-resistant locking feature
- Field cleanable
- Optional remote LED annunciator (System Sensor® RA100Z)
- UL listed, meets NFPA 72
- CSFM listed
- MEA
- FM approved

Specifications

Operating Voltage: 15 to 32 VDC

Current Consumption:
Standby: 300µA @ 24VDC
Alarm: 6.5mA @ 24VDC

Operating Temperature:
32°F to 120°F (0°C to 49°C)

Relative Humidity: 10% to 93% noncondensing

Velocity Range: 0 - 1200 FPM

Height 2.0" (51 mm)

Diameter 6.1" (155 mm)
(installed in base B210LP)

Weight 5.4oz (153 g)



SK-Ion (Base Included)

Compatibility

The SK-Ion is compatible with the following detector bases:

B210LP	(included) 6" base
B501	2 wire base
B224BI	Isolator base
B224RB	Relay base
B200SR	Sounder base

The SK-Ion is compatible with the following IntelliKnight FACP's:

5700
5808
5820XL
5820XL-EVS

Model SK-Ion

Engineering Specifications

The contractor shall furnish and install where indicated on the plans, dual-chamber, addressable ionization smoke detector Silent Knight SK-Ion. The combination detector head, and twist-lock base, shall be UL® listed compatible with Silent Knight's IntelliKnight fire alarm control panels.

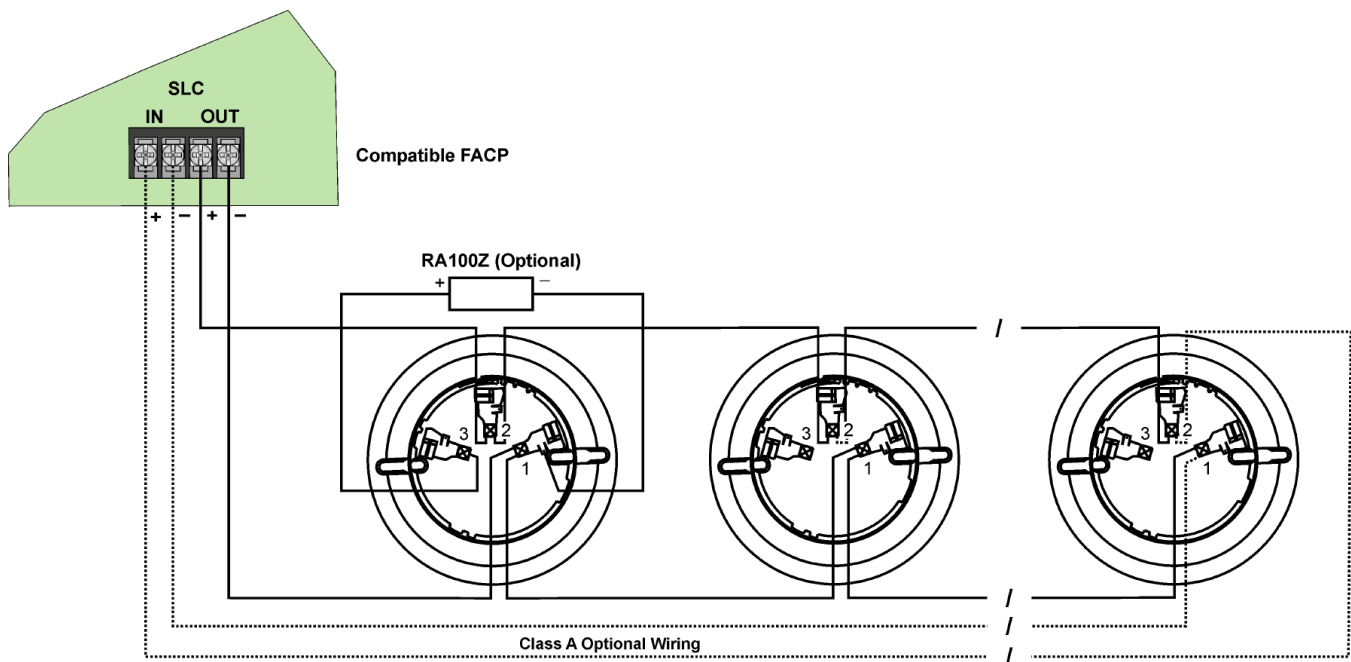
The base shall permit direct interchange with Silent Knight SK-Ion Ionization Smoke Detector. Base shall be the appropriate twist-lock base B210LP.

The smoke detector shall have a flashing status LED for visual supervision. When the detector is actuated, the flashing LED will latch on steady. The detector may be reset by actuating the control panel reset switch.

The calibration of the detector shall be capable of being selected and measured by the control panel without the need for external test apparatus.

The vandal-resistant, security locking feature shall be used in those areas as indicated on the drawing. The locking feature shall be field selectable as required.

The SK-Ion shall automatically perform a functional test of the detector. The test method shall simulate effects of products of combustion in the chamber to ensure testing of detector circuits.



Wiring SK-Series Detector Mounting Bases



This document is not intended to be used for installation purposes. We try to keep our product information up-to-date and accurate. We cannot cover all specific applications or anticipate all requirements. All specifications are subject to change without notice. For more information, contact Silent Knight 12 Clintonville Road Northford, CT 06472-1610 Phone: (800) 328-0103, Fax: (203) 484-7118. For Technical Support, Please call 800-446-6444.
www.silentknight.com

MADE IN AMERICA

FORM# 350119 Rev. C
© 2013 Honeywell International Inc.